


**Feature -**

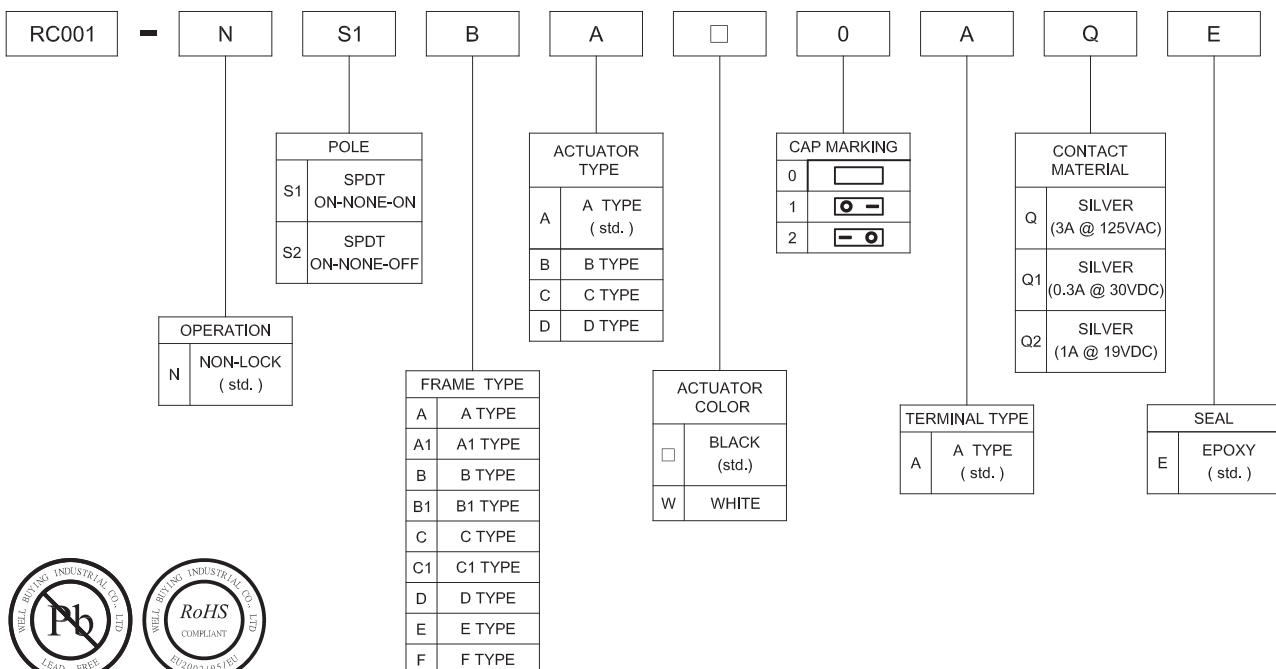
SPDT, right angle terminal

**Application -**

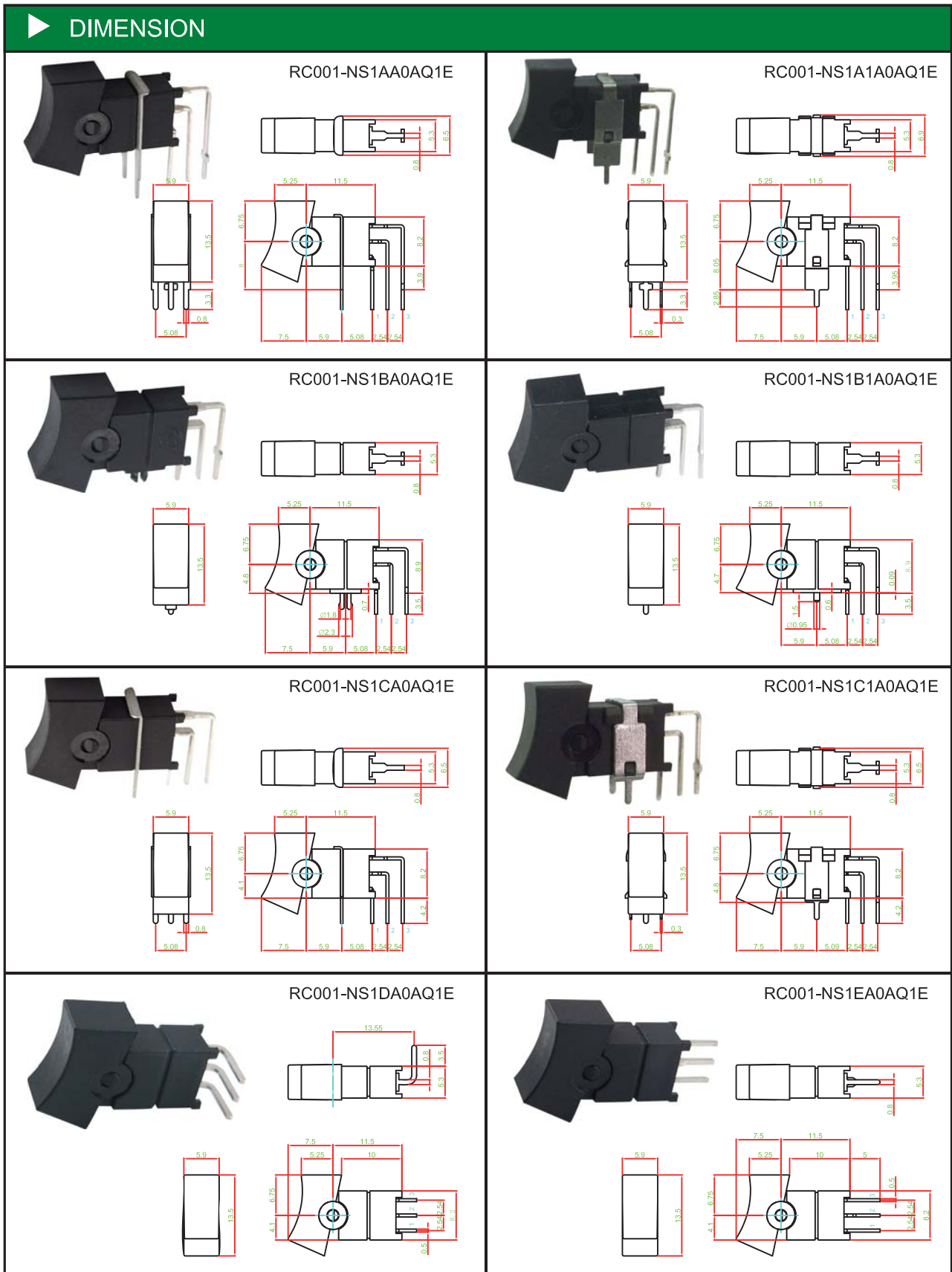
 consumer products  
 instrumentation  
 computer products  
 communication equipment

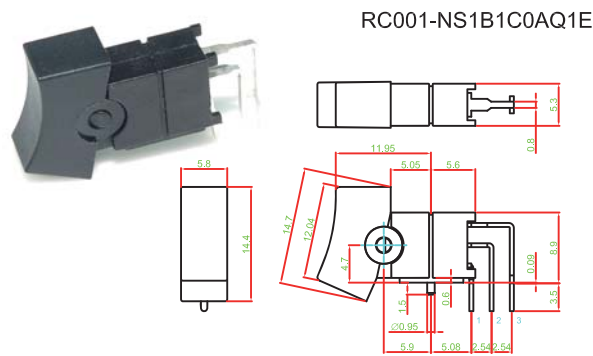
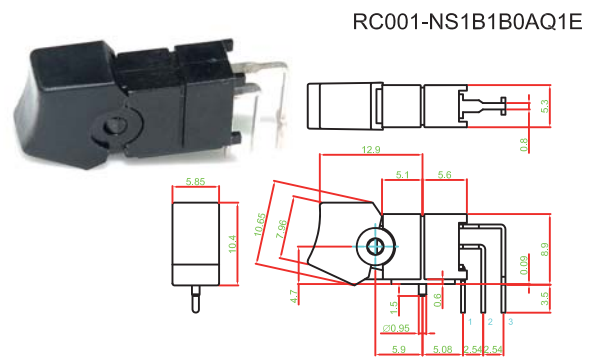
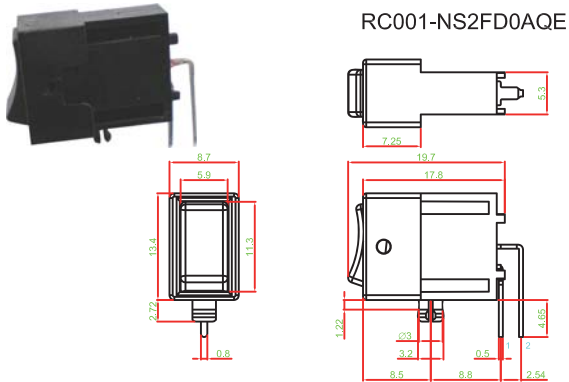
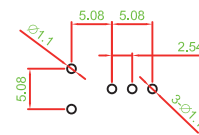
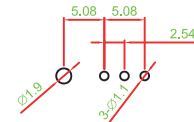
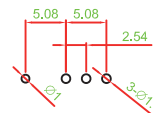
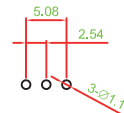
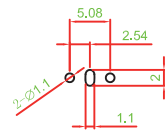
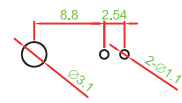
**SPECIFICATIONS**

SWITCH SPECIFICATIONS	
POLE - POSITION	SPDT ON - NONE - ON ; ON - NONE - OFF
CONTACT RATING	3Amps with resistive load @ 125VAC or 28VDC
CONTACT RESISTANCE	20 mΩ max. 1.5 V DC ; 100 mA , by Method of Voltage DROP
INSULATION RESISTANCE	1000 MΩ min. 500 V DC
DIELECTRIC STRENGTH	Breakdown is not Allowable ; 1000 V AC for 1 Minute
OPERATING FORCE	300 ± 100 gf
OPERATING LIFE	10,000 cycles
OPERATING TEMPERATURE RANGE	-30°C ~ 85°C
TOTAL TRAVEL	2.2 ± 0.3 mm

**HOW TO ORDER**


▶ **DIMENSION**

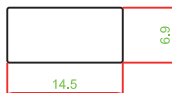


**▶ DIMENSION**

**▶ P.C.B LAYOUT**
**FRAME A · A1 & C · C1**

**FRAME B**

**FRAME B1**

**FRAME D**

**FRAME E**

**FRAME F**

**▶ SCHEMATIC**

SCHEMATIC	
Model	Position
1 2 3	1 2 3

**▶ PANEL MOUNTING**

A-type actuator :



C-type actuator :



B-type actuator :



D-type actuator :


**▶ PANEL MOUNTING**

- ACTUATOR : PA + GF
- TERMINAL : BRONZE SILVER PLATING
- FRAME : PA + GF
- SPRING : STAINLESS STEEL
- KNOB : PA + GF
- CONTACT : PHOSPHOR BRONZE
- BRACKET : STAINLESS STEEL