


Feature -

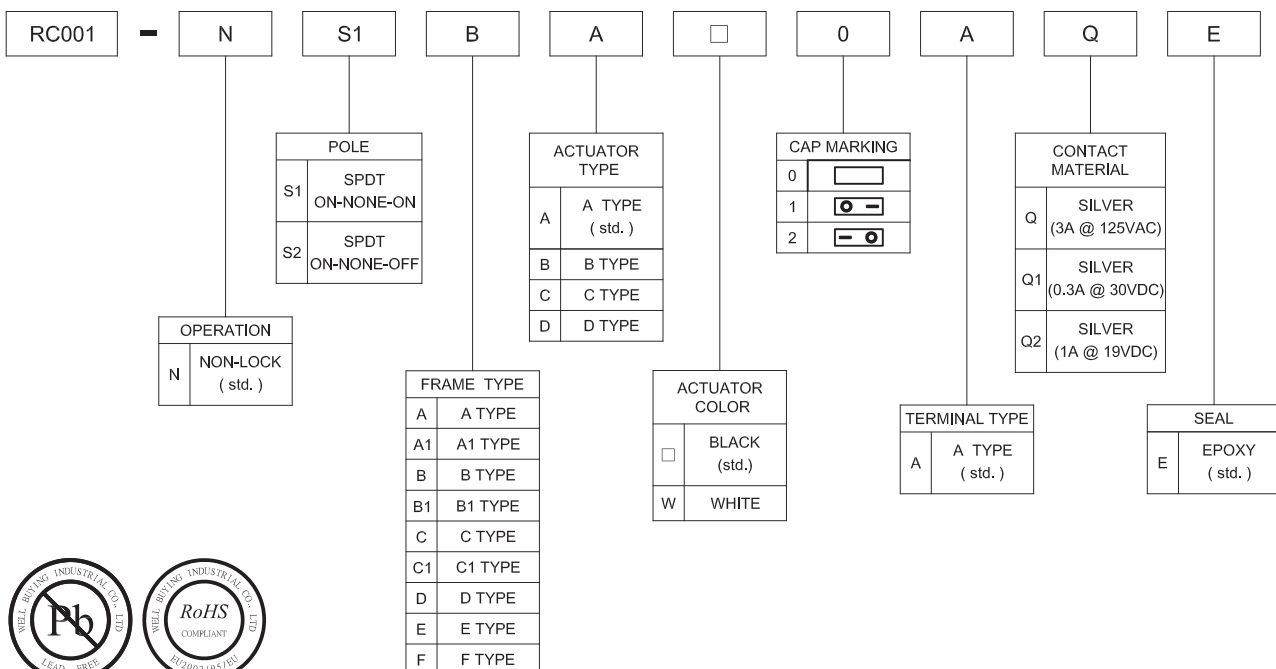
SPDT, right angle terminal

Application -

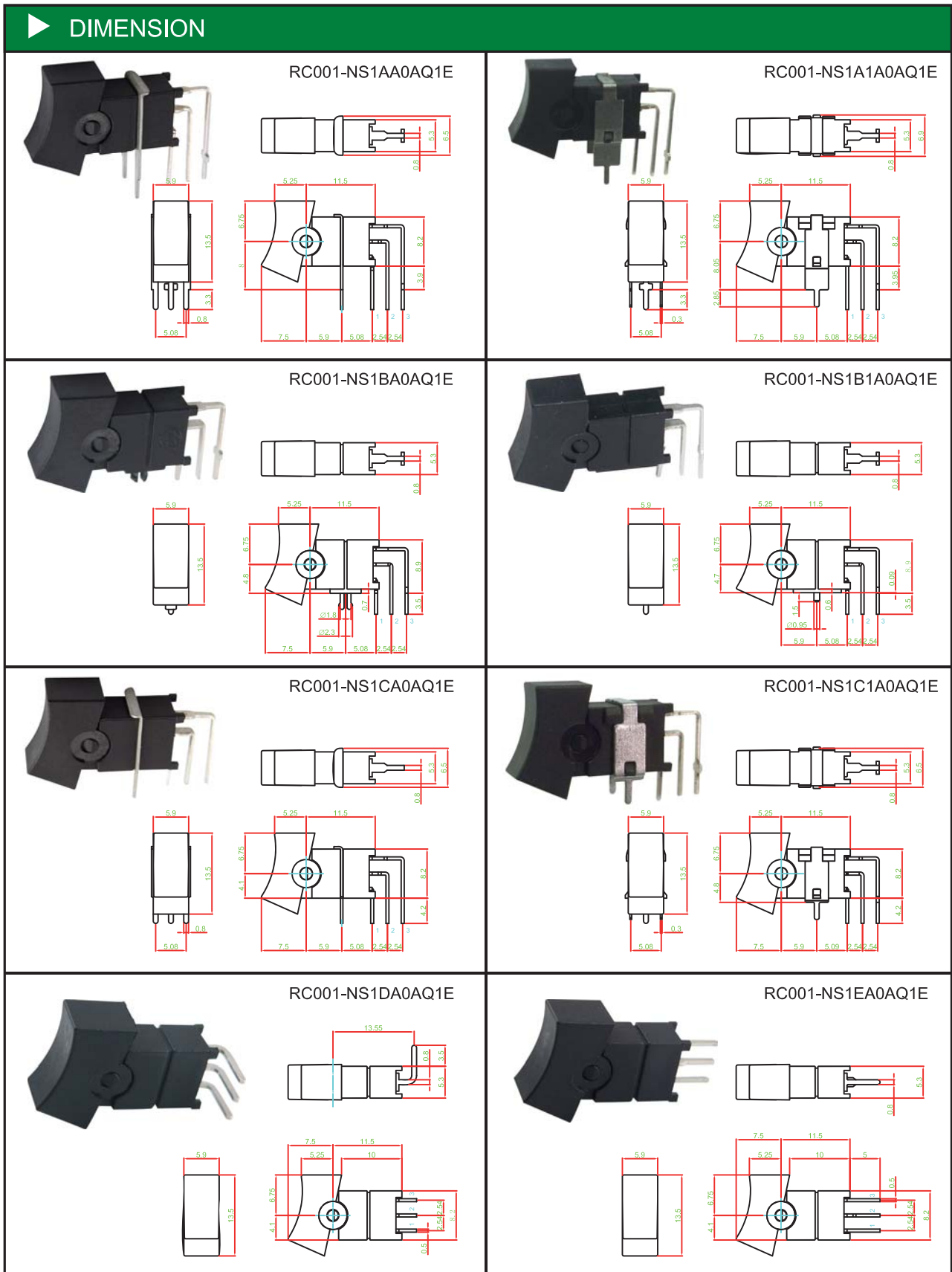
 consumer products
 instrumentation
 computer products
 communication equipment

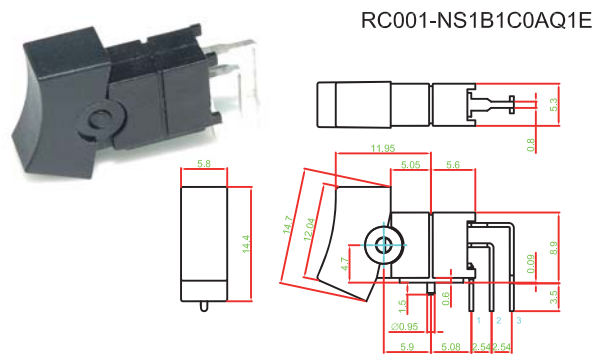
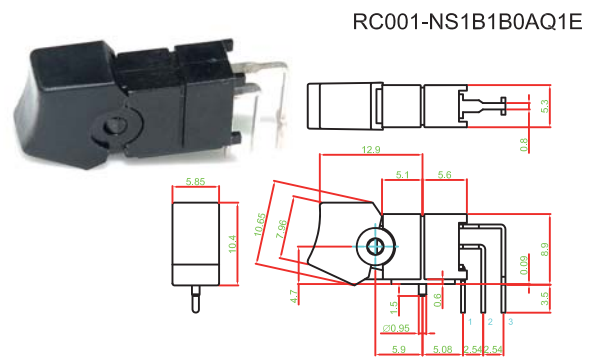
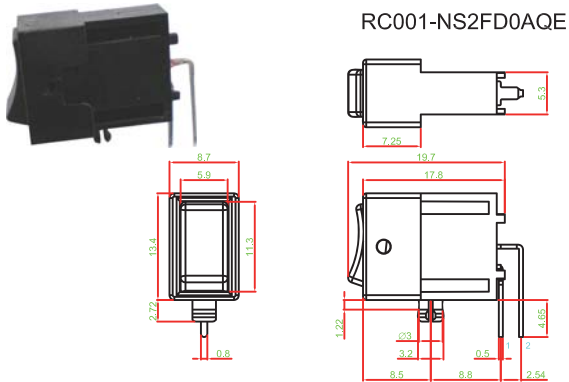
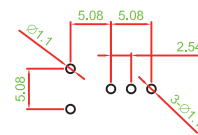
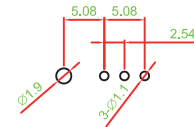
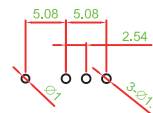
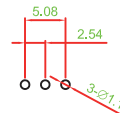
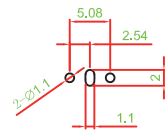
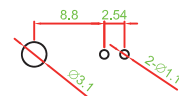
SPECIFICATIONS

SWITCH SPECIFICATIONS	
POLE - POSITION	SPDT ON - NONE - ON ; ON - NONE - OFF
CONTACT RATING	3Amps with resistive load @ 125VAC or 28VDC
CONTACT RESISTANCE	20 mΩ max. 1.5 V DC ; 100 mA , by Method of Voltage DROP
INSULATION RESISTANCE	1000 MΩ min. 500 V DC
DIELECTRIC STRENGTH	Breakdown is not Allowable ; 1000 V AC for 1 Minute
OPERATING FORCE	300 ± 100 gf
OPERATING LIFE	10,000 cycles
OPERATING TEMPERATURE RANGE	-30°C ~ 85°C
TOTAL TRAVEL	2.2 ± 0.3 mm

HOW TO ORDER


DIMENSION



▶ DIMENSION

▶ P.C.B LAYOUT
FRAME A · A1 & C · C1

FRAME B

FRAME B1

FRAME D

FRAME E

FRAME F

▶ SCHEMATIC

SCHEMATIC	
Model	Position
1 2 3	1 2 3

▶ PANEL MOUNTING

A-type actuator :



C-type actuator :



B-type actuator :



D-type actuator :


▶ PANEL MOUNTING

- ACTUATOR : PA + GF
- TERMINAL : BRONZE SILVER PLATING
- FRAME : PA + GF
- SPRING : STAINLESS STEEL
- KNOB : PA + GF
- CONTACT : PHOSPHOR BRONZE
- BRACKET : STAINLESS STEEL