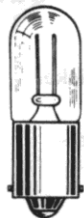


Large Neon Indicators WITH BUILT-IN RESISTOR

FOR MOUNTING IN 1" CLEARANCE HOLE

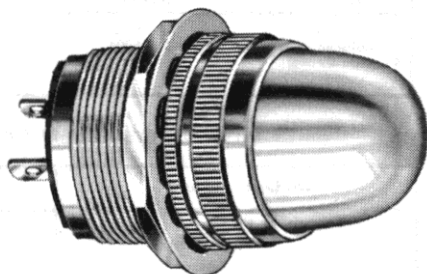


T-3 1/4
B1A (NE-51)
B2A (NE-51H)
MINIATURE BAYONET BASE

See lamp ratings
on page L.

Recognized under the component
program of Underwriters'
Laboratories Inc.

75W., 125V.
75W., 250V.



80-0463-0931-311
Stovepipe lens

Note: These assemblies are also available with 31 (friction-fit) and 51 (screw-on) Series Lens Caps. Please contact the factory for data and ordering information.

80 SERIES

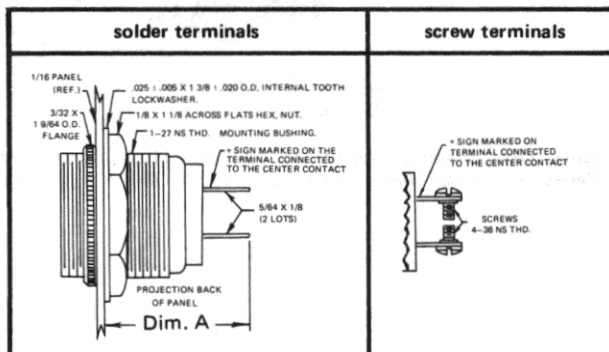
MATERIALS AND FINISHES

- **Mounting Bushing:** Standard—brass, white nickel finish. Optional—black nickel finish.
- **Lens Holder and Knurled Flange Ring:** Standard—brass, polished chrome finish. Optional—black nickel or satin chrome finish.
- **Mounting Nut:** Brass, white nickel finish.
- **Internal-tooth Lockwasher:** Phosphor bronze, white nickel finish.
- **Terminals:** Solder—brass, hot tinned with elongated slot. Screw—brass, white nickel finish.

How to designate the three digit part number suffix (-XXX)

Finish	Resistor	Hardware
2 - black nickel	1 - 22K	1 - brass
3 - polished chrome	3 - 33K	3 - water-tight on the face of the panel
4 - satin chrome	4 - 56K	
	7 - 100K	

WITH SCREW-ON LENS CAPS



Dim. A
1 3/32 Max.

BASE PART NUMBERS

105-125VAC-DC*
110-125VAC†

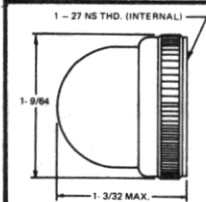
80-0408-09-341
80-0463-09-311

80-1308-09-341
80-1363-09-311

CAP PART NUMBERS

VOLTAGES

COMPLETE ASSEMBLY PART NUMBERS



STOVEPIPE
80-0931-300 transparent

105-125V AC-DC
110-125 VAC

80-0408-0931-341
80-0463-0931-311

80-1308-0931-341
80-1363-0931-311

Dim. A
1 13/32 Max.

BASE PART NUMBERS

105-125VAC-DC*
110-125VAC†

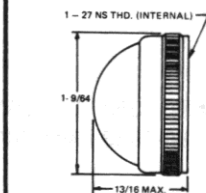
80-0408-05-341
80-0463-05-311

80-1308-05-341
80-1363-05-311

CAP PART NUMBERS

VOLTAGES

COMPLETE ASSEMBLY PART NUMBERS



DOMES
■ 80-1231-300 transparent

105-125V AC-DC
110-125 VAC

■ 80-0408-1231-341
■ 80-0463-1231-311

■ 80-1308-1231-341
■ 80-1363-1231-311

80-0841-300 matted back

105-125V AC-DC
110-125 VAC

80-0408-0841-341
80-0463-0841-311

80-1308-0841-341
80-1363-0841-311

■ To specify white translucent color, change the group of digits of the part number that reads -1231 - to -0835 -. Example: 80-0408-0835-341.

Part numbers in this catalog designate products with RED lens. For ordering lens colors other than red, consult chart on page 2D.

* Standard brightness
† High brightness

Part numbers shown in gray are normally in inventory at your Dialight Distributor.