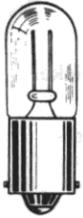


# Large Neon Indicators WITH BUILT-IN RESISTOR

FOR MOUNTING IN 1" CLEARANCE HOLE

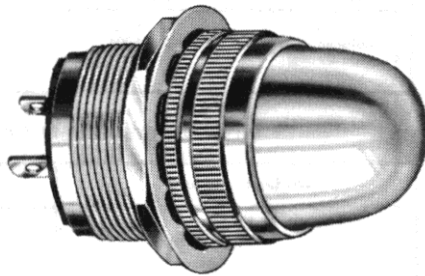


T-3 1/4  
B1A (NE-51)  
B2A (NE-51H)  
MINIATURE BAYONET BASE

See lamp ratings  
on page L.

Recognized under the component  
program of Underwriters'  
Laboratories Inc.

75W., 125V.  
75W., 250V.



80-0463-0931-311  
Stovepipe lens

Note: These assemblies are also available with 31 (friction-fit) and 51 (screw-on) Series Lens Caps. Please contact the factory for data and ordering information.

## 80 SERIES

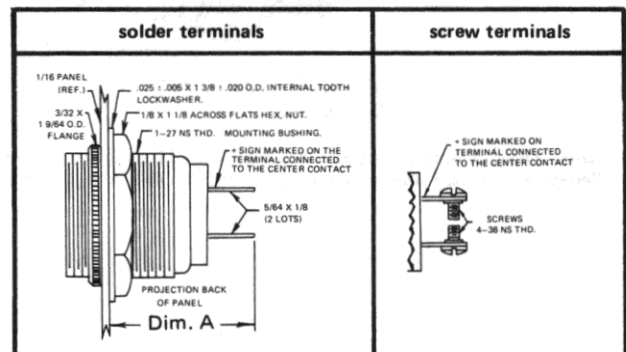
### MATERIALS AND FINISHES

- **Mounting Bushing:** Standard—brass, white nickel finish. Optional—black nickel finish.
- **Lens Holder and Knurled Flange Ring:** Standard—brass, polished chrome finish. Optional—black nickel or satin chrome finish.
- **Mounting Nut:** Brass, white nickel finish.
- **Internal-tooth Lockwasher:** Phosphor bronze, white nickel finish.
- **Terminals:** Solder—brass, hot tinned with elongated slot. Screw—brass, white nickel finish.

### How to designate the three digit part number suffix (-XXX)

Finish	Resistor	Hardware
2 - black nickel	1 - 22K	1 - brass
3 - polished chrome	3 - 33K	3 - water-tight on the face of the panel
4 - satin chrome	4 - 56K	
	7 - 100K	

### WITH SCREW-ON LENS CAPS



Dim. A  
1 3/32 Max.

### BASE PART NUMBERS

105-125VAC-DC\*  
110-125VAC†

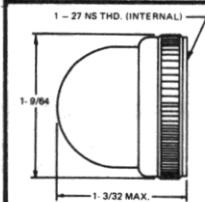
80-0408-09-341  
80-0463-09-311

80-1308-09-341  
80-1363-09-311

### CAP PART NUMBERS

### VOLTAGES

### COMPLETE ASSEMBLY PART NUMBERS



**STOVEPIPE**  
80-0931-300 transparent

105-125V AC-DC  
110-125 VAC

80-0408-0931-341  
80-0463-0931-311

80-1308-0931-341  
80-1363-0931-311

Dim. A  
1 13/32 Max.

### BASE PART NUMBERS

105-125VAC-DC\*  
110-125VAC†

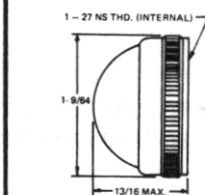
80-0408-05-341  
80-0463-05-311

80-1308-05-341  
80-1363-05-311

### CAP PART NUMBERS

### VOLTAGES

### COMPLETE ASSEMBLY PART NUMBERS



**DOMES**  
■ 80-1231-300 transparent

105-125V AC-DC  
110-125 VAC

■ 80-0408-1231-341  
■ 80-0463-1231-311

■ 80-1308-1231-341  
■ 80-1363-1231-311

80-0841-300 matted back

105-125V AC-DC  
110-125 VAC

80-0408-0841-341  
80-0463-0841-311

80-1308-0841-341  
80-1363-0841-311

■ To specify white translucent color, change the group of digits of the part number that reads -1231- to -0835-. Example: 80-0408-0835-341.

Part numbers in this catalog designate products with RED lens. For ordering lens colors other than red, consult chart on page 2D.

\* Standard brightness  
† High brightness

Part numbers shown in gray are normally in inventory at your Dialight Distributor.