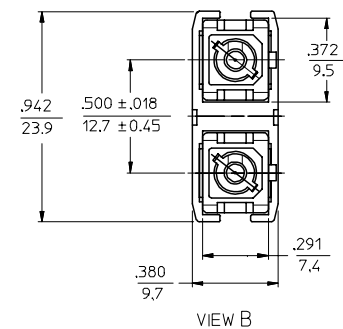
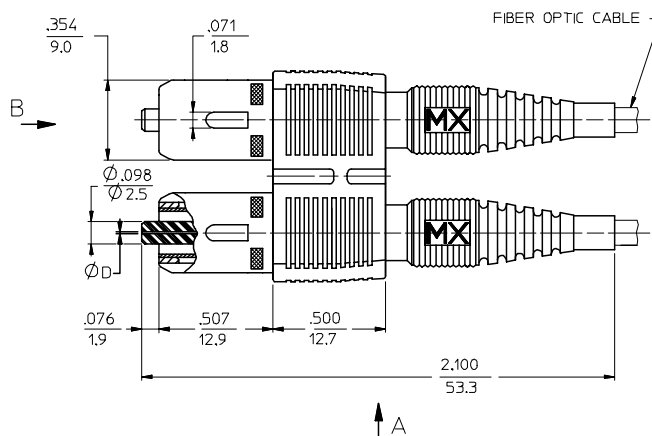
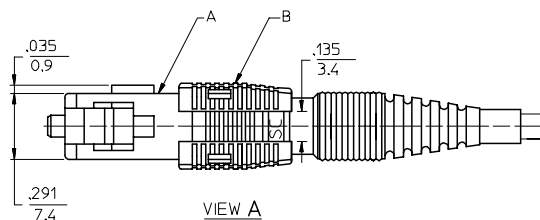


	13	12	11	10	9	8	7	6	5	4	3	2	1			
	CONNECTOR P/N	Ø mm	MATERIAL OF FERRULE	COLOR OF HOUSING A	COLOR OF HOUSING B	COLOR OF BOOT	CONNECTOR TYPE	CABLE OD mm								
J	106066-0000	.127	ZIRCONIA	BEIGE	BEIGE	BEIGE	MULTIMODE	3						J		
	*106066-0010			BLACK	BLACK	BLACK										
	106066-0070			RED	RED	RED										
I	106066-0080	.1255		BLUE	BLUE	BLUE	SINGLE MODE								I	
	106066-2000			RED	RED	RED										
	106066-2080			BEIGE	BEIGE	BEIGE										
H	106066-3000	.128		BLACK	BLACK	BLACK	MULTIMODE								H	
	106066-3070			RED	RED	RED										
	106066-3080			BLUE	BLUE	BLUE	SINGLE MODE									
G	106066-4000	.126	RED	RED	RED	SINGLE MODE	2.4						G			
	106066-4000		BLUE	BLUE	BLUE											
	106066-5000		RED	RED	RED											
	106066-5001		BLUE	BLUE	BLUE											
	106066-5080		BEIGE	BEIGE	BEIGE											
F	106066-7000	.127	BLUE	BLUE	BLUE	MULTIMODE	2.4						F			
	106066-4300		BEIGE	BEIGE	BEIGE											
	106066-5300		BEIGE	BEIGE	BEIGE											
E	106066-0300	.127											E			



NOTES:
1. DUST CAPS ARE NOT SHOWN.

*2. P/N 106066-5001 AND P/N 106066-0010 ARE BULK PACKED IN QUANTITIES OF 100 PCS.

FC NO: MF2006-0424 DRAWN/RPACIFIC 2006/01/24 CHKD: 2006/01/24 APPR: JGUMIN REVISION DESCRIPTION	QUALITY SYMBOLS	GENERAL TOLERANCES (UNLESS SPECIFIED)		DIMENSION STYLE IN/MM		SCALE 4:1	DESIGN UNITS INCH	THIRD ANGLE PROJECTION
	▽=0	mm	INCH	DRAWN BY RPACIFIC I	DATE 2005/12/22	TITLE SC-D TYPE CONNECTOR		
	▽=0			CHECKED BY	DATE			
		4 PLACES ±	±	±	APPROVED BY	DATE	MOLEX INCORPORATED MATERIAL NO. SEE TABLE DOCUMENT NO. SD-106066-XXX0 SHEET NO. 1 OF 01	
	3 PLACES ±	±	±	DRAFT WHERE APPLICABLE MUST REMAIN WITHIN DIMENSIONS				
	2 PLACES ±	±	±	SIZE C THIS DRAWING CONTAINS INFORMATION THAT IS PROPRIETARY TO MOLEX INCORPORATED AND SHOULD NOT BE USED WITHOUT WRITTEN PERMISSION				
	1 PLACE ±	±	±					
	ANGULAR ±1/2°							