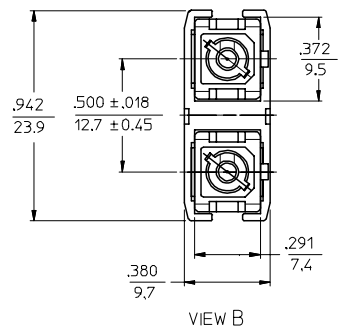
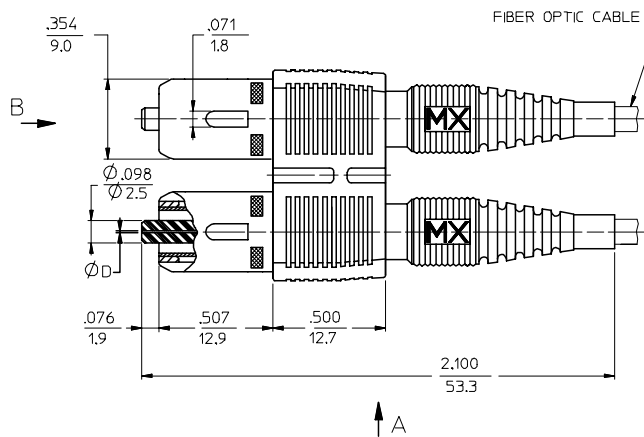
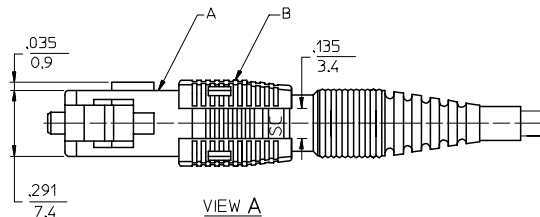


CONNECTOR P/N	Ø mm	MATERIAL OF FERRULE	COLOR OF HOUSING A	COLOR OF HOUSING B	COLOR OF BOOT	CONNECTOR TYPE	CABLE OD mm
106066-0000	.127	ZIRCONIA	BEIGE	BEIGE	BEIGE	MULTIMODE	3
*106066-0010			BLACK	BLACK	BLACK		
106066-0070			RED	RED	RED		
106066-0080	.1255		BLUE	BLUE	BLUE	SINGLE MODE	
106066-2000			RED	RED	RED		
106066-2080			BEIGE	BEIGE	BEIGE		
106066-3000	.128		BLACK	BLACK	BLACK	MULTIMODE	
106066-3070			RED	RED	RED		
106066-3080			BLUE	BLUE	BLUE		
106066-4000	.126		RED	RED	RED	SINGLE MODE	
106066-5000			BLUE	BLUE	BLUE		
106066-5001			RED	RED	RED		
106066-5080	.127	BLUE	BLUE	BLUE	MULTIMODE	2.4	
106066-7000		RED	RED	RED			
106066-4300		BLUE	BLUE	BLUE			
106066-5300	.126	BEIGE	BEIGE	BEIGE	MULTIMODE	2.4	
106066-0300		BEIGE	BEIGE	BEIGE			



NOTES:  
1. DUST CAPS ARE NOT SHOWN.

\*2. P/N 106066-5001 AND P/N 106066-0010 ARE BULK PACKED IN QUANTITIES OF 100 PCS.

FC NO: MF2006-0424 DRAWN/RPACIFIC I 2006/01/24 CHKD: 2006/01/24 APPR: JGUMIN REVISION DESCRIPTION	QUALITY SYMBOLS	GENERAL TOLERANCES (UNLESS SPECIFIED)	DIMENSION STYLE IN/MM	SCALE 4:1	DESIGN UNITS INCH	THIRD ANGLE PROJECTION
	▽=0	mm INCH	DRAWN BY RPACIFIC I DATE 2005/12/22	TITLE SC-D TYPE CONNECTOR		
	▽=0	4 PLACES ± --- ± ---	CHECKED BY DATE	MATERIAL NO. DOCUMENT NO. SHEET NO.		
		3 PLACES ± --- ± ---	APPROVED BY DATE	MOLEX INCORPORATED		
	2 PLACES ± --- ± ---	ANGULAR ±1/2°	SEE TABLE		SD-106066-XXX0	1 OF 01
	1 PLACE ± --- ± ---	DRAFT WHERE APPLICABLE MUST REMAIN WITHIN DIMENSIONS	THIS DRAWING CONTAINS INFORMATION THAT IS PROPRIETARY TO MOLEX INCORPORATED AND SHOULD NOT BE USED WITHOUT WRITTEN PERMISSION			