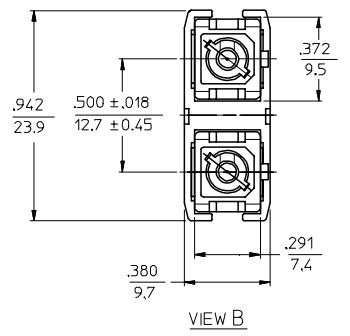
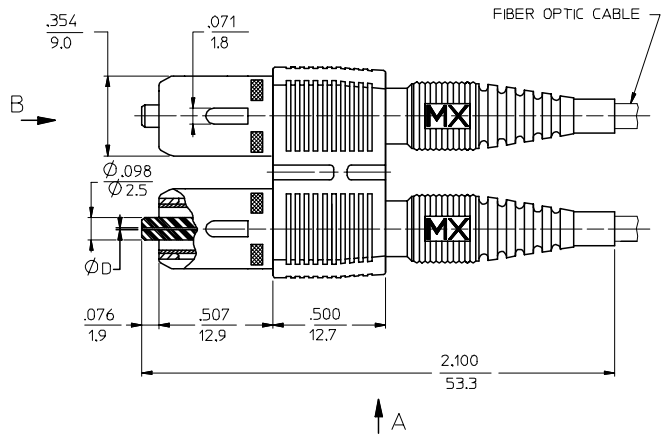
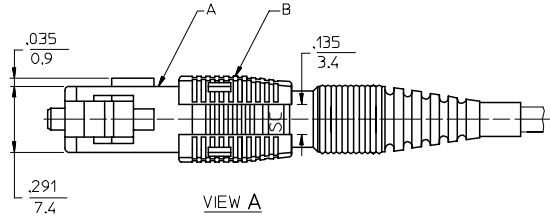


CONNECTOR P/N	Ø mm	MATERIAL OF FERRULE	COLOR OF HOUSING A	COLOR OF HOUSING B	COLOR OF BOOT	CONNECTOR TYPE	CABLE OD mm
106066-0000	.127	ZIRCONIA	BEIGE	BEIGE	BEIGE	MULTIMODE	3
*106066-0010			BLACK	BLACK	BLACK		
106066-0070			RED	RED	RED		
106066-0080	.1255		BLUE	BLUE	BLUE	SINGLE MODE	
106066-2000			RED	RED	RED		
106066-2080			BEIGE	BEIGE	BEIGE		
106066-3000	.128		BLACK	BLACK	BLACK	MULTIMODE	
106066-3070			RED	RED	RED		
106066-3080			BLUE	BLUE	BLUE		
106066-4000	.126		RED	RED	RED	SINGLE MODE	
106066-5000			BLUE	BLUE	BLUE		
106066-5001			RED	RED	RED		
106066-5080	.127	BLUE	BLUE	BLUE	MULTIMODE	2.4	
106066-7000		RED	RED	RED			
106066-4300		BLUE	BLUE	BLUE			
106066-5300	.126	RED	RED	RED	MULTIMODE	2.4	
106066-0300		BLUE	BLUE	BLUE			



NOTES:
 1. DUST CAPS ARE NOT SHOWN.
 *2. P/N 106066-5001 AND P/N 106066-0010 ARE BULK PACKED IN QUANTITIES OF 100 PCS.

FC NO: MF2006-0424 DRAWN/RPACIFIC I 2006/01/24 CHKD: 2006/01/24 APPR: JGUMIN 2006/01/24 REVISION DESCRIPTION	QUALITY SYMBOLS	GENERAL TOLERANCES (UNLESS SPECIFIED)	DIMENSION STYLE	SCALE	DESIGN UNITS	THIRD ANGLE PROJECTION
	▽=0 ▽=0	mm INCH 4 PLACES ± --- ± --- 3 PLACES ± --- ± --- 2 PLACES ± --- ± --- 1 PLACE ± --- ± --- ANGULAR ±1/2°	IN/MM DRAWN BY DATE RPACIFIC I 2005/12/22 CHECKED BY DATE APPROVED BY DATE	4:1 INCH	SC-D TYPE CONNECTOR	
DRAFT WHERE APPLICABLE MUST REMAIN WITHIN DIMENSIONS			MATERIAL NO. SEE TABLE	DOCUMENT NO. SD-106066-XXX0	MOLEX INCORPORATED	
			SIZE C	THIS DRAWING CONTAINS INFORMATION THAT IS PROPRIETARY TO MOLEX INCORPORATED AND SHOULD NOT BE USED WITHOUT WRITTEN PERMISSION		SHEET NO. 1 OF 01