



## Certifications & Ratings

- RoHS compliant

## Application

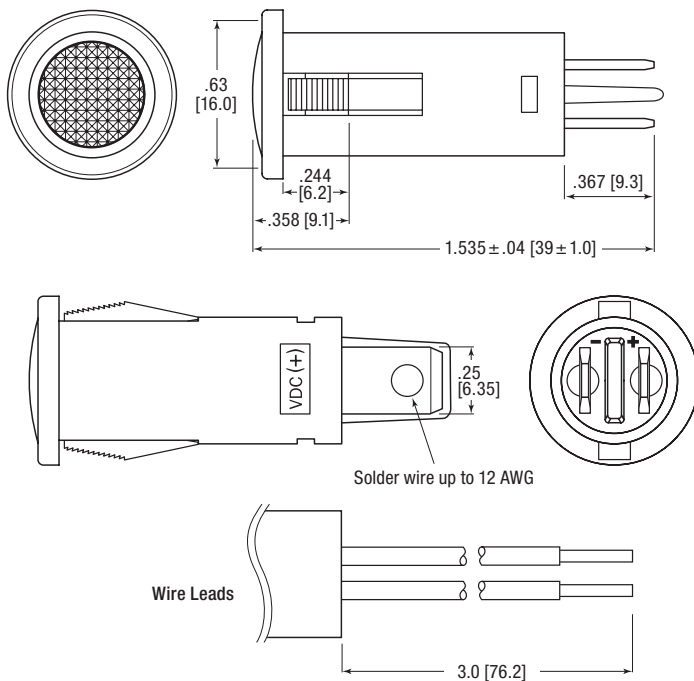
The 655 Series LED Panel Mount Indicators are designed for a variety of applications such as.

- Main power indication
  - Remote power indication
  - Status indication
  - Maintenance and warning indication
  - Instrumentation
- ... and many more!

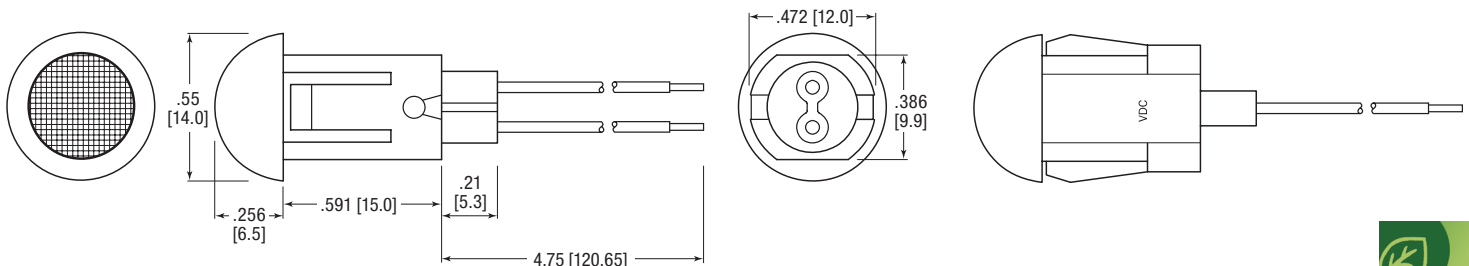
## Dimensions

inches [mm]

### Flat Lens



### Domed Lens



## Mechanical Information

- Mounting Hole Size:** 0.50" (12.7 mm)  
**Max Panel Thickness:** 0.138" (3.5 mm) (Domed Lens);  
 0.216" (5.5 mm) (Flat Lens)

## Specifications

- Voltage Options:** 12 & 24 VDC (no resistor required)  
**Operating temp:** -20 °C to +85 °C (-4 °F to +185 °F)  
**Storage Temp:** -20 °C to +85 °C (-4 °F to +185 °F)  
**Electrical Connection:** 250 Faston quick connect terminals (Flat Lens only) or wire leads  
**Housing:** Polycarbonate  
**Terminals:** Brass—Nickel Plated (Flat Lens only)  
**Wire Leads:** 18 AWG (Flat Lens),  
 26 AWG (Domed Lens)



## Ordering Information 655 Series

Part Number Guide										RoHS Compliant				
6	5	5	-	X	X	X	X	-	1	0	X	F		
				Lens Style						Voltage		Termination		
				Flat		1						3		Wire Leads
				Domed		2						4		Solder Terminals (Flat Lens only)
								Color						
				1		0		● Red						
				2		0		● Green						
				3		0		● Yellow						
				4		0		● Blue						

Dialight P/N		Color	Voltage (VDC)	Current (mA)	Typical Intensity (mcd)
Wire Leads	Solder Terminals				

### Flat Lens

655-1103-103F	655-1103-104F	● Red	12	20	270
655-1203-103F	655-1203-104F	● Green			700
655-1303-103F	655-1303-104F	● Yellow			200
655-1403-103F	655-1403-104F	● Blue			100
655-1104-103F	655-1104-104F	● Red	24		270
655-1204-103F	655-1204-104F	● Green			700
655-1304-103F	655-1304-104F	● Yellow			200
655-1404-103F	655-1404-104F	● Blue			100

### Domed Lens

655-2103-103F	NA	● Red	12	20	3000
655-2203-103F	NA	● Green			2500
655-2303-103F	NA	● Yellow			1500
655-2403-103F	NA	● Blue			700
655-2104-103F	NA	● Red	24		3000
655-2204-103F	NA	● Green			2500
655-2304-103F	NA	● Yellow			1500
655-2404-103F	NA	● Blue			700

Dialight reserves the right to make changes at any time in order to supply the best product possible. The most current version of this document will always be available at: [www.dialightsignalsandcomponents.com](http://www.dialightsignalsandcomponents.com)

**Warranty Statement:** Except for the warranty expressly provided for [herein/above/below], Dialight disclaims any and all other warranties, express or implied, including, without limitation, any warranties of merchantability, fitness for a particular purpose, title, and noninfringement.