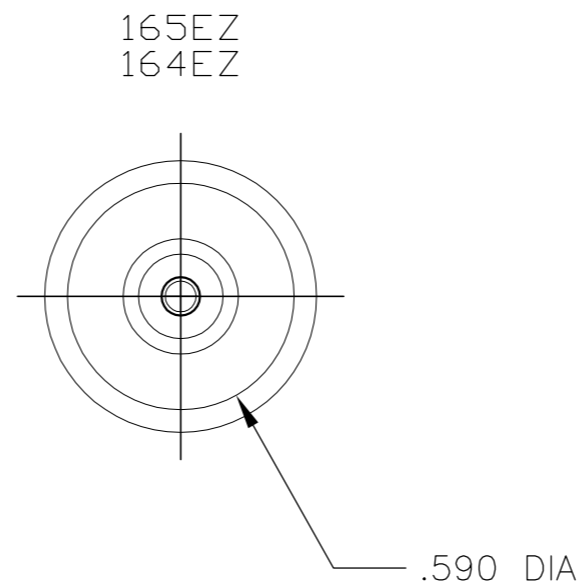
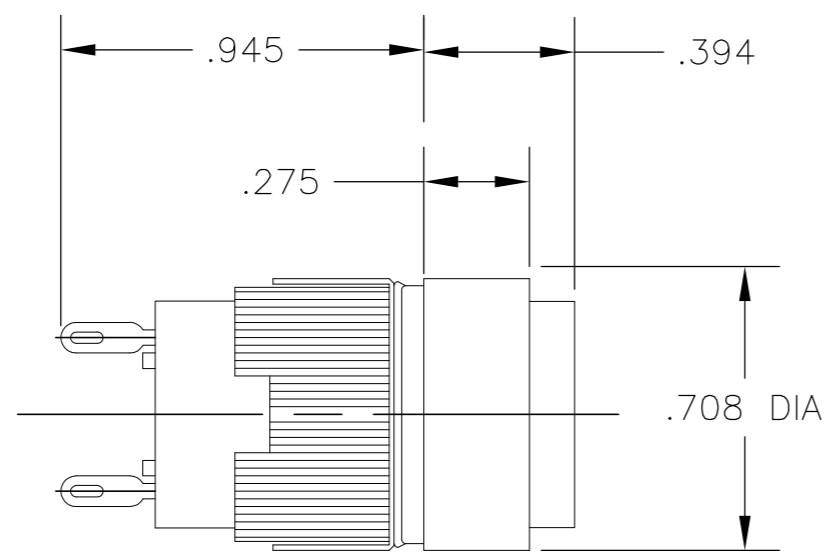
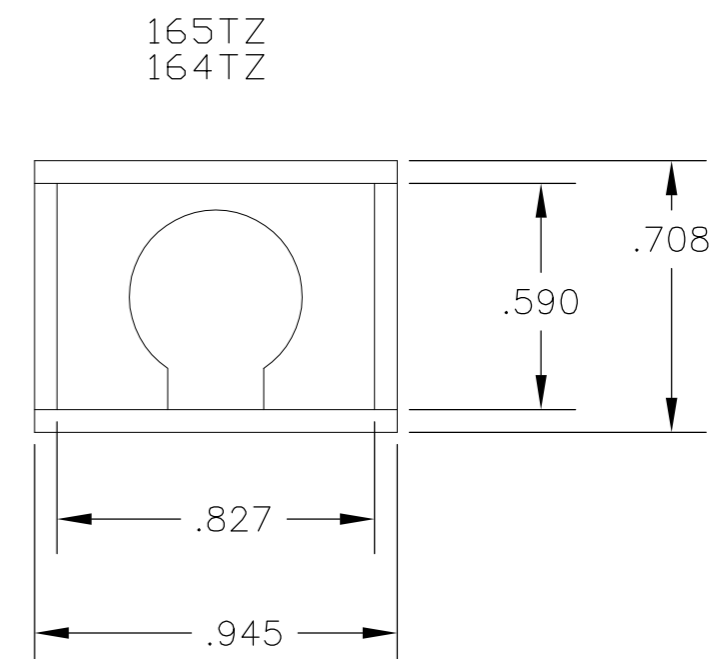
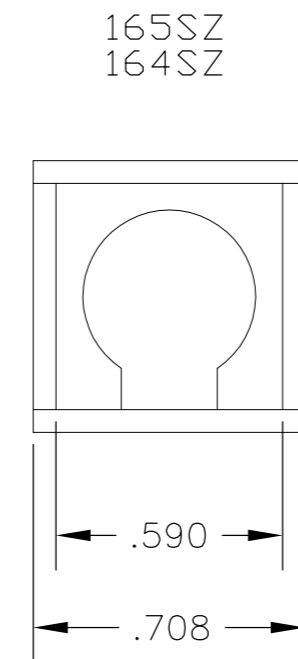


THIS DRAWING IS UNPUBLISHED. RELEASED FOR PUBLICATION  
 © COPYRIGHT - By - ALL RIGHTS RESERVED.

LOC	DIST	REVISIONS			
P	LTR	DESCRIPTION	DATE	DWN	APVD
AD	00	B1	REVISED PER ECO-11-005027	11MAR11	RK HMR



SIDE VIEW  
 (SEE NOTE 3)



SPECIFICATIONS:

LAMP DISSIPATION: 1.2W MAX.

INSULATION RESISTANCE: 100 MEGOHMS MIN.

DIELECTRIC STRENGTH: 2000 VAC.

OPERATING TEMPERATURE: -20°C TO +50°C  
 (-4°F TO +122°F).

NOTES:

- LAMP IS T 3/4 MIDGET FLANGE BASE TYPE (LAMP NOT SUPPLIED).
- 164 IS NON-DILTIGHT SERIES, 165 IS DILTIGHT SERIES.
- VIEWS INCLUDE PLASTIC SHROUDS FOR AVAILABLE LENS SETS, (NOT SUPPLIED).

4 THE PLATINGS CONTAINED IN THIS PART SHALL CONTAIN NO LEAD.

5 PRELIMINARY PART, NOT RELEASED FOR PRODUCTION.

1571542-4	165TZ	4 5
1571542-3	164TZ	
1571542-2	164SZ	
1571542-1	164EZ	
5-1437569-9	165TZ	
5-1437569-3	165SZ	
4-1437569-6	165EZ	
4-1437569-1	164TZ	
3-1437569-2	164SZ	
1437569-8	164EZ	
PART No.	MODEL NUMBER	COMMENTS

REF AUGAT 81091

DIMENSIONS:		TOLERANCES UNLESS OTHERWISE SPECIFIED:		DWN		S KIRCORIAN		5-18-94		TE Connectivity	
INCHES				CHK		W THIA		5-19-94		NAME	
		0 PLC ± - 1 PLC ± - 2 PLC ± - 3 PLC ± .010 4 PLC ± - ANGLES ± - FINISH		APVD		W THIA		5-19-94		PILOT LIGHT 164/165 Z	
MATERIAL				PRODUCT SPEC						SIZE	
				APPLICATION SPEC						CAGE CODE	
										DRAWING NO	
				WEIGHT		-		A2		00779	
				CUSTOMER DRAWING				SCALE		SHEET	
								NTS		1 OF 1	
										REV	
										B1	