

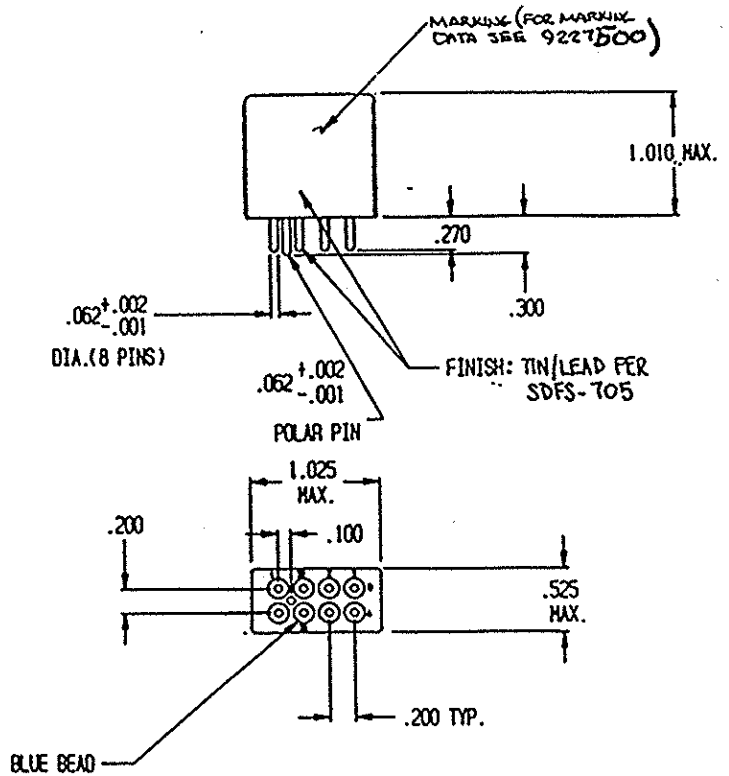
MSD INC.

ENGINEERING DATA SHEET

RELAY TYPE: <u>FCA-210-BZ4</u>	COMPUTER PART No.: <u>9227500</u>	TEST PROCEDURE <u>MSDP-791</u>
CUSTOMER/SPECIFICATION: <u>CATALOG ITEM</u>	REV <u>NONE</u>	

TEST REQUIREMENTS

COIL RES.: $\pm 10\%$ 320 OHMS OPERATE TIME: 10ms MAX RELEASE TIME: 10ms MAX
 CONTACT MAKE BOUNCE: 1ms MAX N.O. BREAK BOUNCE: 0.1ms MAX
 CONTACT STABILIZATION TIME: N/A RATED COIL VOLTAGE: 28Vdc
 CONTACT RES.: MFG TEST: 8 Milliohms @ 10mA FINAL TEST: 10 Milliohms @ 10mA
 CONTACT VOLTAGE DROP: FINAL TEST: 100mV @ 10A-6Vdc
 HI-POT: 1250 Vrms ALL POINTS, EXCEPT 1000 Vrms COIL TO CASE
 INSULATION RESISTANCE: 100 MEGOHMS MIN @ 500 Vdc
 VIBRATION: N/A
 SEAL TEST: 1×10^{-8} MAX LEAK RATE COIL TRANSIENT SUPPRESSION: 42Vdc MAX
 OTHER: _____



Prepared By: <u>LES WYNNE</u> Date: <u>5-10-96</u>		Approved By: <u>[Signature]</u> Date: <u>5-10-96</u>	
Rev	ECN No.	Date	
<u>A</u>	<u>96-065</u>	<u>5-10-96</u>	

SPECIAL INSTRUCTIONS