

RPM6400 Series

MIL/COTS DC EMI Power Line Filter

**RPM6400
MILITARY/ COTS TO 50A
PERFORMANCE TO 10GHZ
MIL-STD-461/ DO-160**



SPECIFICATIONS

Operating Freq.	: DC
Max. Operating Voltage	: 400VDC
Ambient Temperature	: -40 to 70C
Hipot Rating (L-G)	: 1800VDC
Terminals (-T)	: S: M5 Studs
Applications	: Mil-461/ DO-160 (Grounded and un-grounded returns)
Call for other termination types (e.g. Circular Mil-Connectors, etc.)	

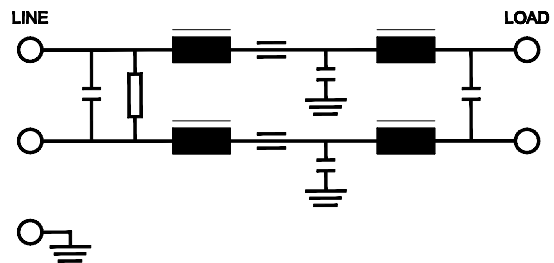
**TYPICAL INSERTION LOSS, dB
(50/50ohm)**

FREQ (MHz)	.01	.15	.5	1	10	1000	10000
CM(dB)	30	50	60	60	70	70	70
DM(dB)	34	45	65	65	60	-	-

PART NUMBER/ ORDERING

RPM6400	-X (Amps)	-T	Weight LBS (KG) Typ.
	5	S	2.0 (0.9)
	10		2.0 (0.9)
	20		4.0 (1.8)
	25		4.0 (1.8)
	50		5.0 (2.3)

SCHEMATIC

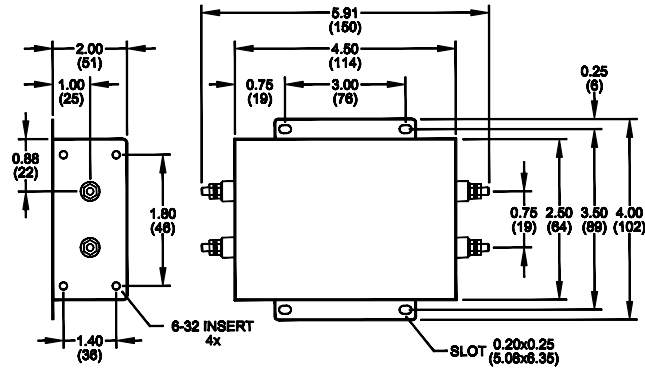


Reference purposes only.
Specifications are subject to change.
Consult factory to verify specifications.

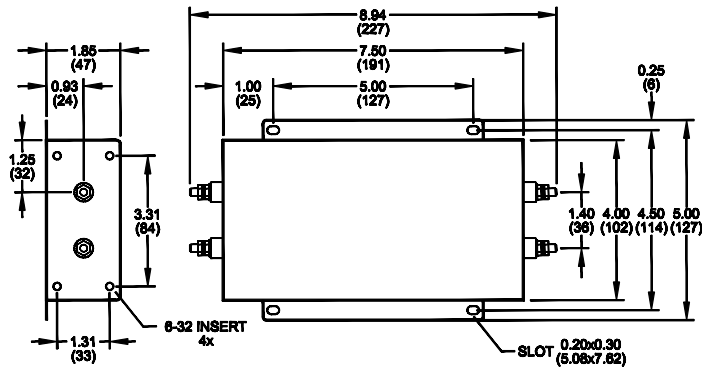
RPM6400

Mechanical Dimensions

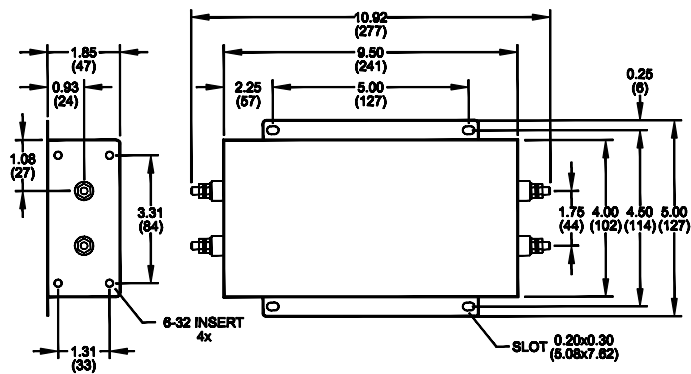
5/10Amp



20/25Amp



50Amp



TYPICAL TOLERANCE: +/-0.02 (0.50)

Reference purposes only.
 Specifications are subject to change.
 Consult factory to verify specifications.