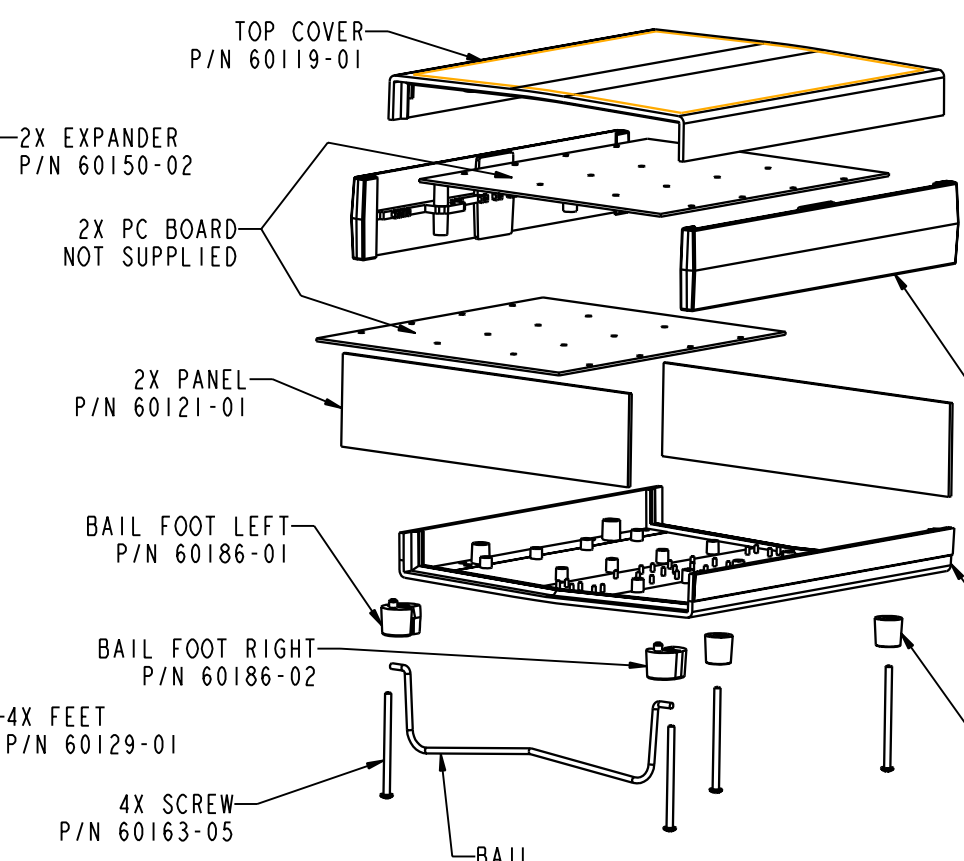
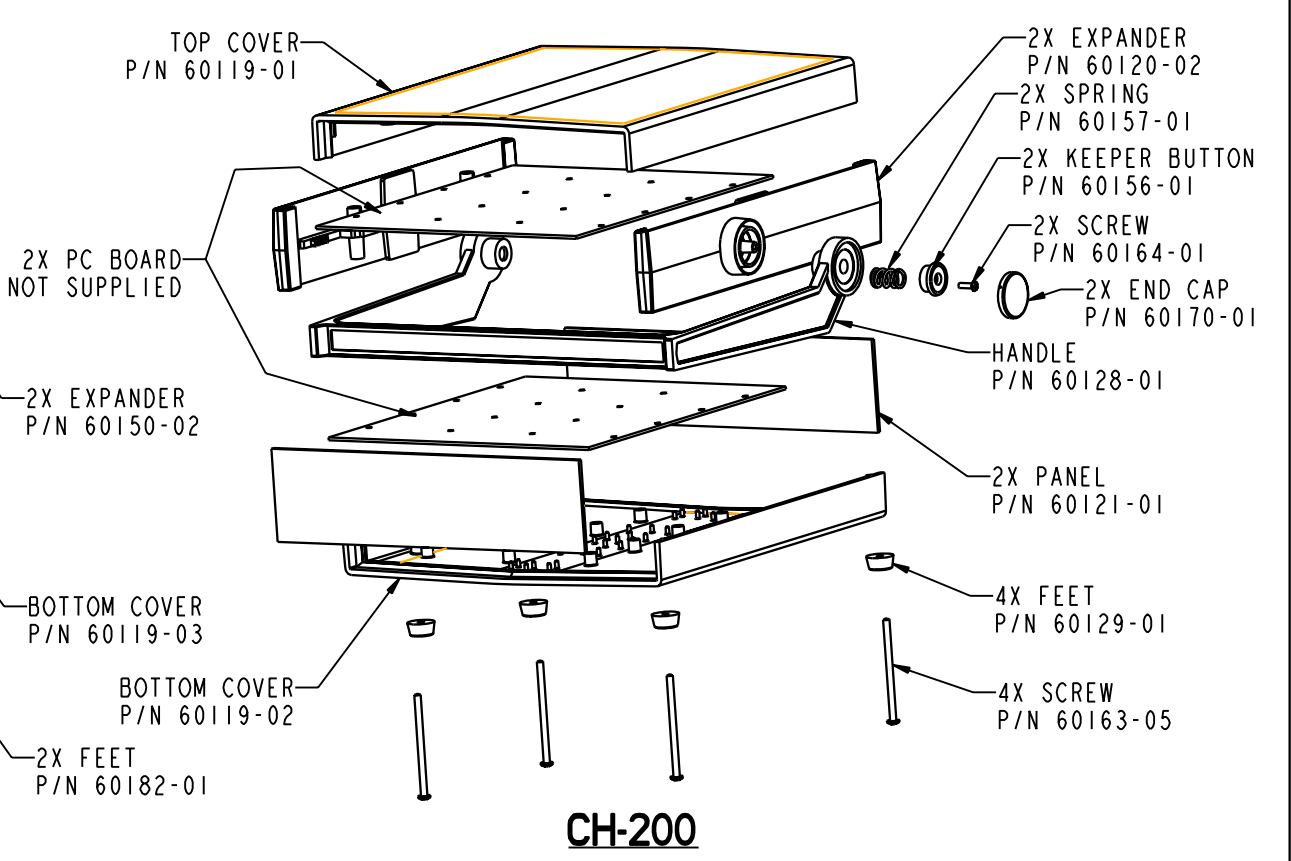


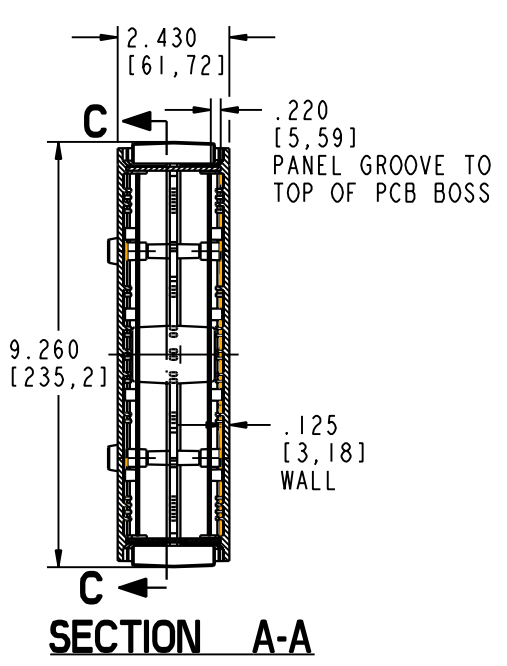
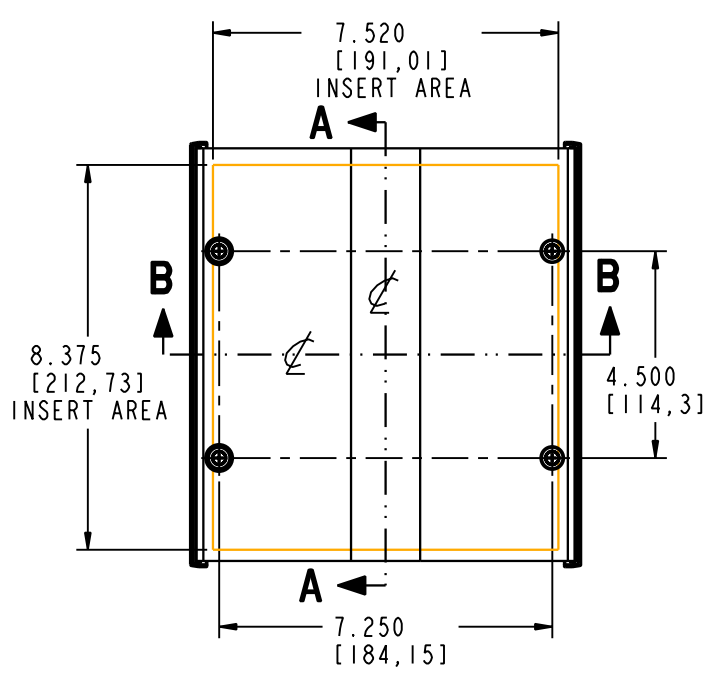
C-200



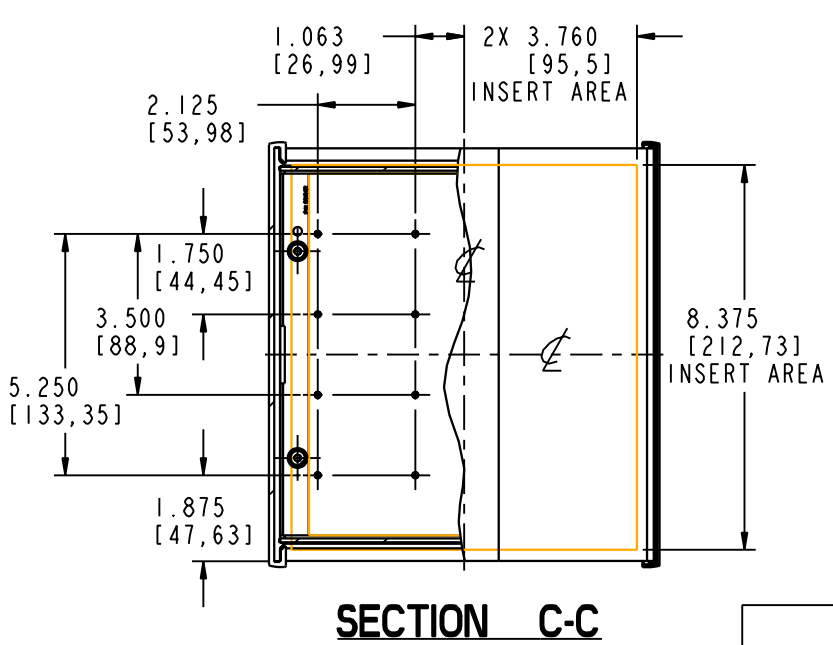
CB-200



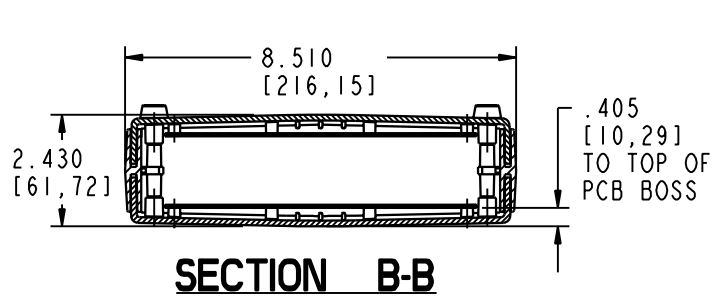
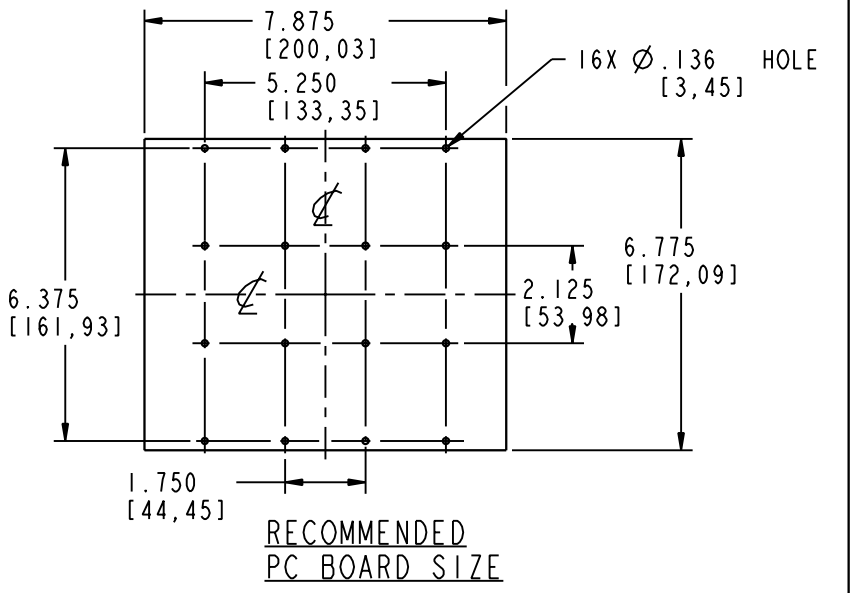
CH-200



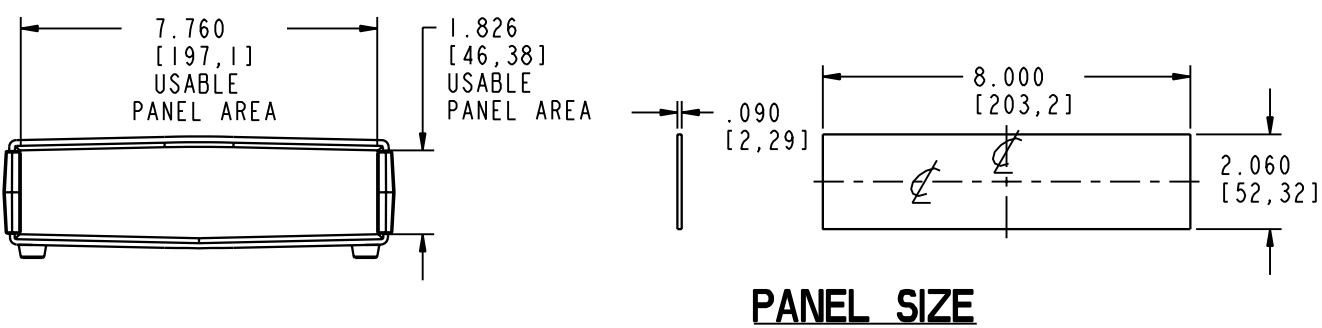
SECTION A-A



SECTION C-C



SECTION B-B



PANEL SIZE

PACINTEC[®]
1-610-361-4231

C-200, CB-200 & CH-200

VISIT **PACINTEC**[®]
ON THE WORLD WIDE WEB
www.pactecenclosures.com

COLOR / MATERIAL CODE		
COLOR	94HB	94VO
BLACK	000	028
P. C. BONE	039	060

DRAWING NUMBER	REV
79474	C