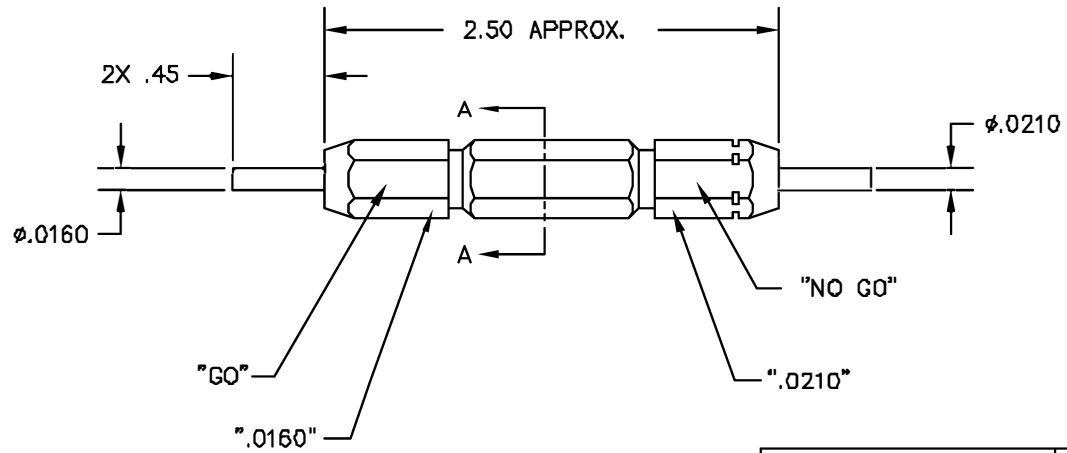
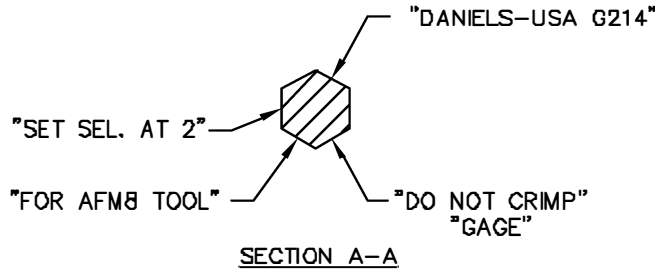


REVISIONS				
REV. SYM.	E.C.O. NUMBER	DESCRIPTION	BY DATE	APP'D DATE
1		ORIGINAL RELEASE	JWH 4/25/00	RRR 4/25/00



**UNCONTROLLED DOCUMENT  
WILL NOT BE UPDATED**

<b>RESTRICTED &amp; CONFIDENTIAL</b> CONFIDENTIAL PROPERTY OF DANIELS MANUFACTURING CORP. NOT TO BE DISCLOSED TO OTHERS, REPRODUCED OR USED FOR ANY OTHER PURPOSE, EXCEPT AS AUTHORIZED IN WRITING BY DANIELS MANUFACTURING. MUST BE RETURNED TO DANIELS MANUFACTURING CORP. ON COMPLETION OF ORDER OR OTHER PURPOSE FOR WHICH Lent.	MATERIAL	ITEM	PART NO.	QTY.	DESCRIPTION/REMARKS
	HEAT TREAT	DRN:	J. JOYCE	DATE	4/25/00
		CHK'D:	RRR	DATE	4/25/00
	FINISH	APPR'D:		DATE	
			DATE		
DO NOT SCALE DRAWING	NOTE: THIS DRAWING IS AN OUTLINE DRAWING OF THE RESPECTIVE DMC PART NUMBER INDICATED. ACTUAL DMC PART NUMBER IS DRAWING NUMBER WITHOUT THE "-ENV" SUFFIX.		WHERE USED: SIZE: 8 SCALE: NTS CAD P/N: G214-ENV SHEET 1 OF 1 POSTING: DMC INC. G214-ENV REV. 1		



DANIELS MANUFACTURING CORP.  
ORLANDO, FLORIDA  
GAGE 11851

TITLE: GO/NO-GO GAGE (2ND STEP AFM8) ENVELOPE DRAWING