

4

3

2

1

THIS DRAWING IS UNPUBLISHED.

RELEASED FOR PUBLICATION

2011

LOC

DIST

REVISIONS

© COPYRIGHT 2011

ALL RIGHTS RESERVED.

P	LTR	DESCRIPTION	DATE	DWN	APVD
4		REVISED	02MAY13	KR	JC
5		UPDATED	22JUL2013	MZ	JC
6		REVISED LATCH SHAPE	09AUG2013	KR	JC
A		PARTS RELEASED FOR PRODUCTION	12NOV2013	MZ	JC

NOTES:

1 MATERIAL: PA GF (NATURAL AND BLACK COLOUR)  
 2 ALL POLARIZATION KEYS SHOWN FOR REF ONLY  
 3 WAYS I.D.  
 4 VOLTAGE AND CURRENT RATINGS  
 5 RIB CLOSING CAVITIES BY CHANGE OVER  
 6 TE LOGO  
 7 TE PART NUMBER  
 8 DATA CODE AND CAVITY I.D.  
 9 AREA FOR AGENCIES APPROVAL LOGO  
 10 VISUAL INDICATOR FOR PE CONDUCTOR

11) SEE C-DRAWING 293682 (LOCKING CAP) TO GET IP 40

12 IP CODE  
 13 POLARISATION KEY "TYPE D" SUITABLE FOR DALI APPLICATION

SCALE 1:1

THIS DRAWING IS A CONTROLLED DOCUMENT.

DWN M. ZUCCA 31MAR2011

CHK M. ZUCCA 31MAR2011

APVD G. TURCO 31MAR2011

PRODUCT SPEC

APPLICATION SPEC

WEIGHT

Customer Drawing

DIMENSIONS:

mm

MATERIAL

TOLERANCES UNLESS OTHERWISE SPECIFIED:

0 PLC	±
1 PLC	±0.3
2 PLC	±0.20
3 PLC	±
4 PLC	±
ANGLES	±3°
FINISH	-

TE Connectivity

NAME  
 PIN HOUSING FREE HANGING  
 NECTOR\* M-LINE 5 POLES  
 UNSEALED VERSION

SIZE	CAGE CODE	DRAWING NO	RESTRICTED TO
A3	00779	C-293616	-

SCALE 2:1 SHEET 1 OF 2 REV A

1470-19 (3/11)

THIS DRAWING IS UNPUBLISHED.

RELEASED FOR PUBLICATION

2011

© COPYRIGHT 2011

ALL RIGHTS RESERVED.

LOC

DIST

REVISIONS

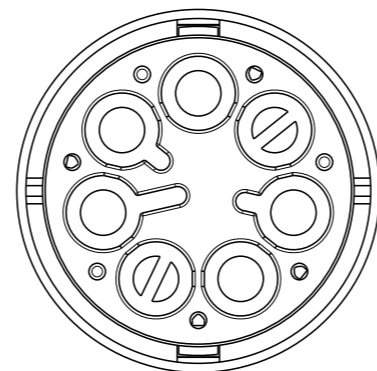
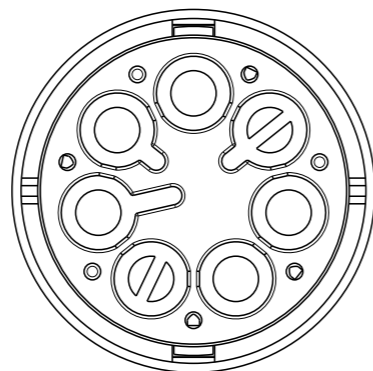
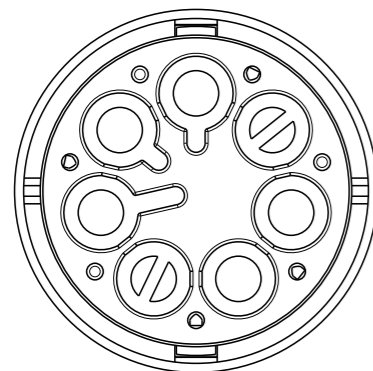
P	LTR	DESCRIPTION	DATE	DWN	APVD
-	-	SEE SHEET 1	-	-	-

POLARIZATION TYPES

POLARIZATION TYPE "A"

POLARIZATION TYPE "B"

POLARIZATION TYPE "C"



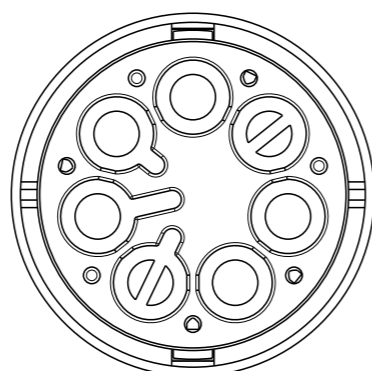
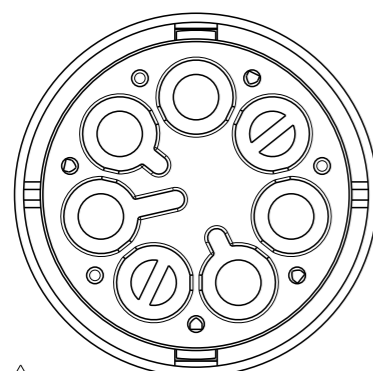
PNs 0-293616-1  
AND 0-293616-1

PNs 0-293616-2  
AND 0-293616-2

PNs 0-293616-3  
AND 0-293616-3

POLARIZATION TYPE "D"

POLARIZATION TYPE "E"



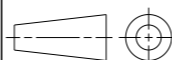
PNs 0-293616-4  
AND 0-293616-4

PNs 0-293616-5  
AND 1-293616-5

	E	BLACK	PIN HOUSING FREE HANG. NECTOR* M-LINE 5 POLES	A	1-293616-5
	D	BLACK	PIN HOUSING FREE HANG. NECTOR* M-LINE 5 POLES	A	1-293616-4
	C	BLACK	PIN HOUSING FREE HANG. NECTOR* M-LINE 5 POLES	A	1-293616-3
	B	BLACK	PIN HOUSING FREE HANG. NECTOR* M-LINE 5 POLES	A	1-293616-2
	A	BLACK	PIN HOUSING FREE HANG. NECTOR* M-LINE 5 POLES	A	1-293616-1
	E	NATURAL	PIN HOUSING FREE HANG. NECTOR* M-LINE 5 POLES	A	0-293616-5
	D	NATURAL	PIN HOUSING FREE HANG. NECTOR* M-LINE 5 POLES	A	0-293616-4
	C	NATURAL	PIN HOUSING FREE HANG. NECTOR* M-LINE 5 POLES	A	0-293616-3
	B	NATURAL	PIN HOUSING FREE HANG. NECTOR* M-LINE 5 POLES	A	0-293616-2
	A	NATURAL	PIN HOUSING FREE HANG. NECTOR* M-LINE 5 POLES	A	0-293616-1
NOTE	POL. KEYING	COLOUR	DESCRIPTION	REV.	PART NUMBER

THIS DRAWING IS A CONTROLLED DOCUMENT.

DIMENSIONS:  
mm



TOLERANCES UNLESS OTHERWISE SPECIFIED:

0 PLC	±
1 PLC	±0.3
2 PLC	±0.20
3 PLC	±
4 PLC	±
ANGLES	±3°
FINISH	-

MATERIAL

-

FINISH

-

DWN M. ZUCCA 31MAR2011

CHK M. ZUCCA 31MAR2011

APVD G. TURCO 31MAR2011

PRODUCT SPEC

APPLICATION SPEC

WEIGHT

-

NAME

PIN HOUSING FREE HANGING NECTOR\* M-LINE 5 POLES UNSEALED VERSION

SIZE

CAGE CODE

DRAWING NO

RESTRICTED TO

A3

00779

C-293616

-

Customer Drawing

SCALE 2:1

SHEET 2 OF 2

REV A

