

# NCL30386LED1GEVB

## NCL30386LED1 60 W High Power Factor Dimmable LED Driver Evaluation Board User's Manual



ON Semiconductor®

[www.onsemi.com](http://www.onsemi.com)

### EVAL BOARD USER'S MANUAL

#### Evaluation Board Overview

This manual covers the specification, theory of operation, testing and construction of the NCL30386LED1GEVB demonstration board. The NCL30386 board demonstrates a 60 W high PF flyback LED driver for a typical troffer application.

#### The Key Features of this Demo Board

- Low THD
- CC/CV Operation
- 0 – 10 V Dimmer Compatibility
- High Power Factor
- Integrated Fault Protection
  - ◆ Over Temperature
  - ◆ Output Over Current
  - ◆ Output Over Voltage

#### Specifications

Input Voltage	100 – 265 V ac	
Line Frequency	50/60 Hz	
Power Factor (100% Load)	0.9	Min.
THD (Load > 20%)	20%	Max.
Output Voltage	40 V dc	
Output Ripple	50%	Pk – Pk
Output Current	1.5 A dc	±5%
Efficiency	92%	Max.
Start Up Time	< 130 ms	

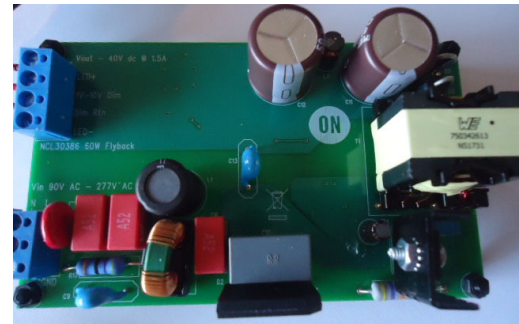


Figure 1. NCL30386LED1 Evaluation Board

## THEORY OF OPERATION

### Power Stage

The power stage is a PSR flyback design. No direct connection to the output is required for regulation with a PSR. The power stage operates as a QR power stage. The QR operations allows for optimum commutation of the output diode for good EMI performance and high efficiency. The power stage operates in CrM at loads above 80%. Below

80% load, the power stage goes into valley skip depending on the dim level. At very low dim levels, the power stage goes to continuous frequency foldback. There is also a line range selector that skips an extra valley at line voltages above about 150 V ac. This maintains a more constant operating frequency.

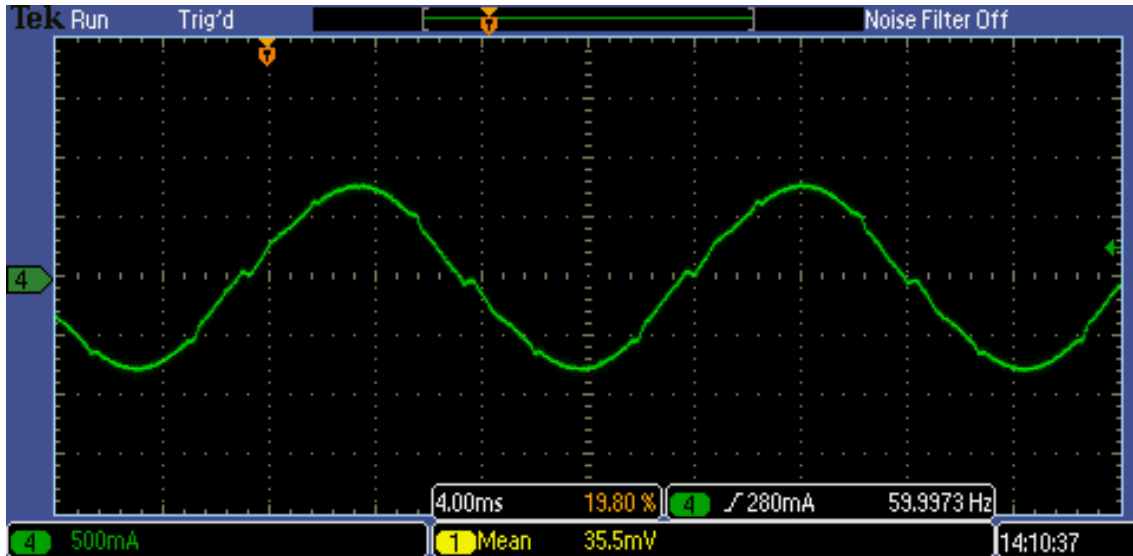


Figure 2. Input Current

### HV Pin Functions

The HV Pin provides 3 Essential Functions:

1. HV Start Current
2. Rectified Line Voltage Sensing
  - a. PFC Loop Reference
  - b. Line Range Selection

#### HV Start

The HV pin sources current to C14 to until  $V_{CC}$  reaches 18 V. The controller starts up at 18 V and begins switching. D4 supplies  $V_{CC}$  power from the aux winding to power the NCL30386 and the HV start current source switches off to reduce power losses. The constant current charge of C14 makes the startup time very consistent over line. The HV startup will supply  $V_{CC}$  power when the  $V_{CC}$  reaches 10 V to maintain operation in extreme light load conditions. The HV pin's 700 V rating is robust for applications above 300 V ac.

#### Rectified Line Sensing

The rectified AC line supplies the HV pin a reference of the PFC loop. The signal is internally scaled for the control circuit. As such, distortion on this pin will result in distortion in the input current. Low distortion over a wide mains is best achieved with a small capacitor on the HVDC or even placed on the AC side of the bridge rectifier. L1 attenuates EMI

because the value of C10 is small to preserve high PF and low THD. C7 & R17 form a damper to dampen out resonances in the EMI filter.

#### Line Range Selection

Internally the HV pin changes gain in the feedback loop to dynamically adjust the control for optimum PF, THD, and regulation. Unlike controller such as NCL30186, the range selection voltage is not user adjustable because the division from HVDC is set internally rather than externally. While this may seem to be a loss of adjustability, the range selection is set to a voltage that is not within any normal operating range worldwide.

#### ZCD Pin

The ZCD pin senses zero current point to restart the switch cycle and counts the valleys for valley selection. Additionally the ZCD pin senses the output voltage from the aux winding for short circuit detection and CV set voltage. If the ZCD pin does not measure a voltage greater than 1 V in the off time, the controller shutdowns because it interprets this as a short circuit. The controller will restart in 4s. The CV set voltage is 2.5 V on the ZCD pin during the off time. This voltage is scaled through the turns ratio of the flyback transformer and the resistor divider on ZCD to regulate the output voltage in case of an open load. The voltage is

constantly regulated rather than switching off as an OVP event. This allows the output to be used as a CV output as well as a CC output. Care must be taken to ensure that the CV set point is above the maximum LED voltage or the LED will dim as the CV loop limits the output voltage. We can see the the ZCD voltage is limited to 1 V – 2.5 V in normal operation. This gives a practical output voltage range of 2:1.

### *Output Current regulation*

Output current regulation is set by the primary sense resistor R15 & R14 according to this equation:

$$I_{out} = \frac{V_{REF}}{8N_{sp}R_{sense}} \quad (\text{eq. 1})$$

Where  $V_{ref} = 0.33 \text{ V}$  or  $0.25 \text{ V}$  depending on the version of NCL30386 and  $N_{sp} = \text{Secondary/Primary turns ratio}$ .

This is the maximum or 100% output current. The internal control algorithm computes the output current based on measure parameters on the primary side which eliminates the need for secondary side controls circuits.

### *Comp*

The Comp pin is the output from the OTA that regulates current or voltage. As with any PFC, the bandwidth of this feedback loop must be less than the line frequency. R11, C17, & C18 make up the comp network. The comp network can be as simple as a single capacitor but better dynamic response is achieved with this network configuration. The NCL30386 samples the max and min values on the comp pin and averages them mathematically. This makes the PF and THD much less dependent on the line frequency ripple on comp.

### *ADIM and PDIM*

The NCL30386 has separate analog and PWM dimming pins. The analog dim pin behaves like the NCL30186. Below 0.7 V the output is off and above 2.5 V the output is 100%. The dimming scales linearly between these 2 values. The PDIM function is one of the most powerful features of NCL30386. Firstly, the PDIM connection is optimized for direct connection to an optocoupler. Traditionally optocouplers have a very slow switching response because of the Miller capacitance of the output transistor. The PDIM pin maintains a constant voltage on PDIM to avoid the effects of the Miller capacitance and only responds to the current in the output transistor. Secondly, the PWM signal on PDIM is converted to the analog dim equivalent percentage.

This conversion makes the output current respond as an analog of the PWM duty cycle. This removes PWM artifacts from the output current and provides excellent current matching between drivers as low dim levels. It is also possible to use ADIM and PDIM simultaneously. The resultant dim level is the product of the 2 dim levels.

### *CS*

The current sense pin controls the peak primary current. The maximum threshold in normal operation is 1.4 V with an LEB of 330 ns. In case of extreme faults such as a shorted rectifier, the threshold for immediate stop is 2 V with an LEB of 170 ns. R13 provides 2 important functions:

1. CS Short Detection
2. Line Feedforward Compensation

### *CS Short Detection*

During startup, CS sources a small current to check if the CS pin is accidentally shorted to ground. In reality, this is usually a manufacturing defect. A shorted CS pin will result in catastrophic failure if undetected. This short checking is turned off in normal operation. R13 must be greater than 250  $\Omega$  or CS will detect a short.

### *Line Feedforward*

The PSR control accounts for many errors in computing the output current such as leakage inductance. Some error sources are variable with line such as the effect of delays in the power stage. As the input voltage increases, the power stage delays cause the peak current to overshoot slightly the intended target peak current. This results in output current increasing with line. While this is not usually a very large increase in output current, the control can compensate for this by sourcing a current from CS that is proportional to the input voltage. This reduces the target peak current slightly such that the effect of the delay is cancelled and regulation is improved. Finding the optimum value of R13 is a bit of trial and error. Also any impedance between GDrv and the FET, will degrade regulation.

## **Protection**

### *Thermal Protection*

The thermal protection is built into the NCL30386.

### *OVP*

OVP is active if  $V_{CC}$  exceeds 26.5 V. The NCL30386 will timeout for 4 s and attempt to restart.

# NCL30386LED1GEVB

## SCHEMATIC

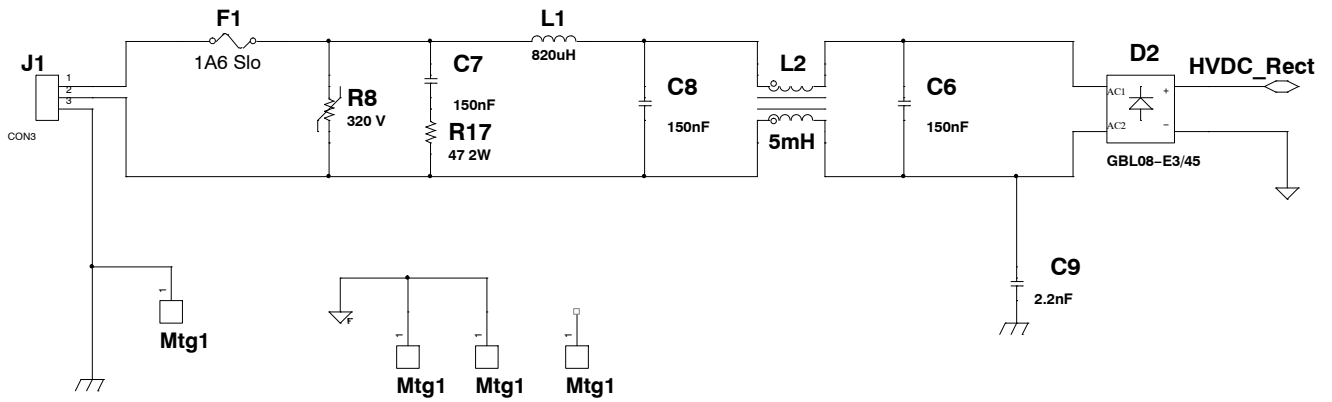


Figure 3. Input Circuit

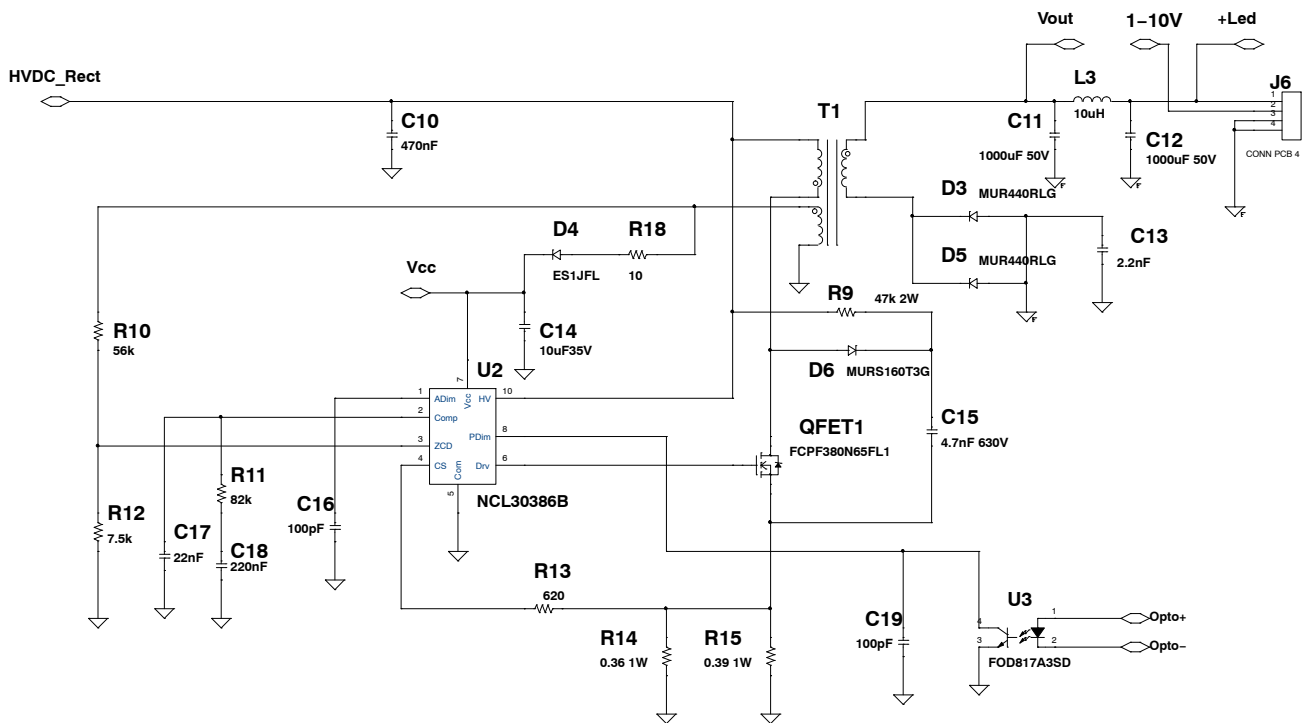


Figure 4. Main Schematic

# NCL30386LED1GEVB

## SCHEMATIC

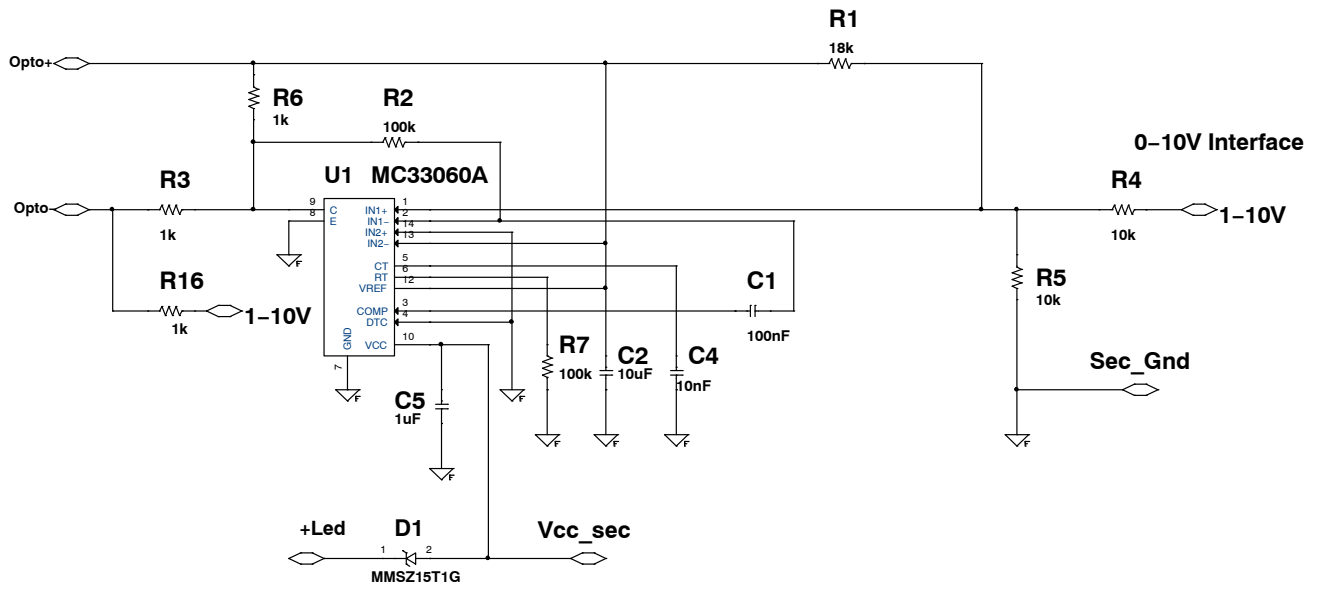


Figure 5. Dim Interface

# NCL30386LED1GEVB

## GERBER VIEWS

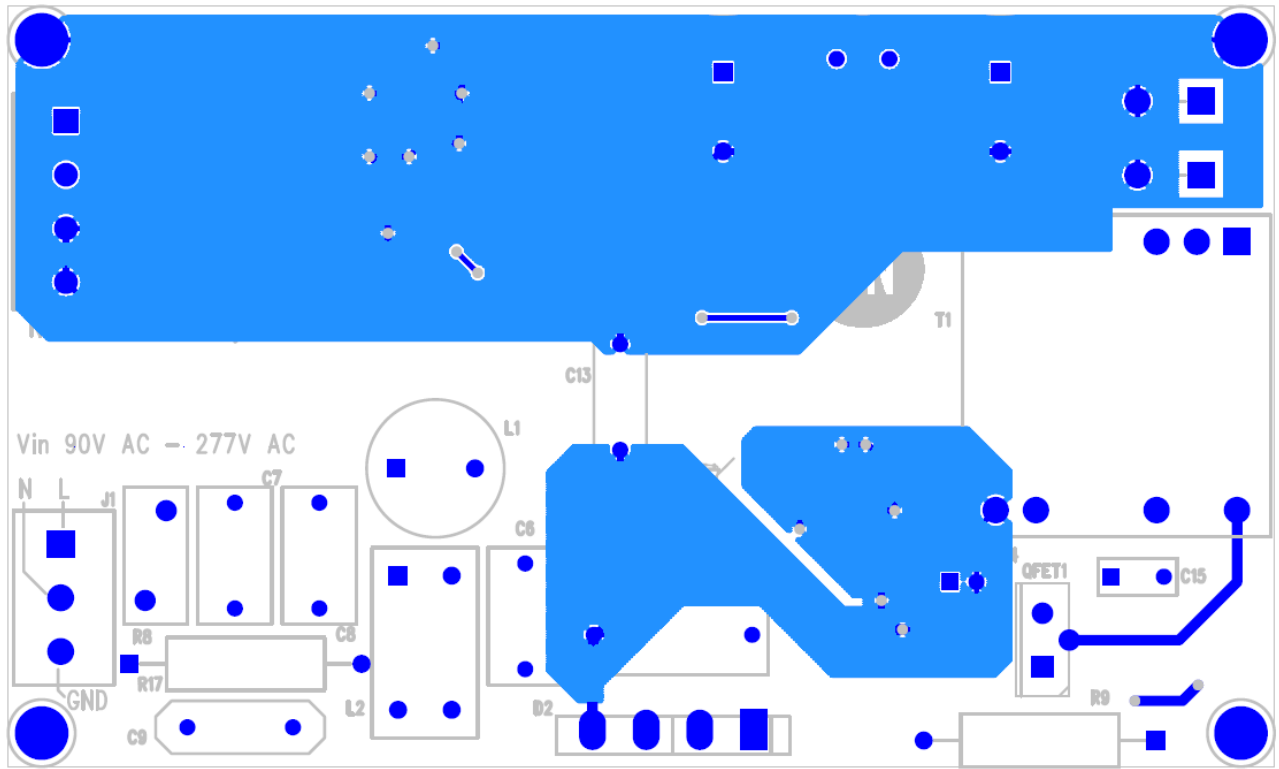


Figure 6. Top Side PCB

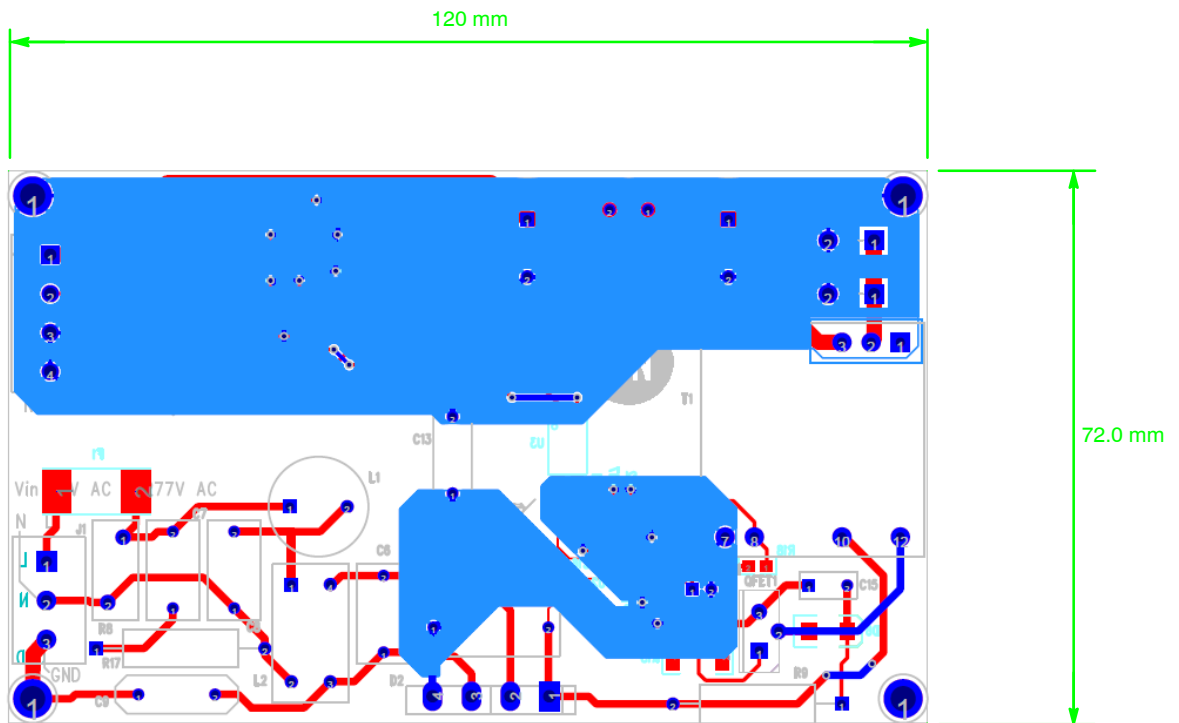


Figure 7. PCB Outline

# NCL30386LED1GEVB

## CIRCUIT BOARD FABRICATION NOTES

1. Fabricate per IPC-6011 and IPC6012. Inspect to IPA-A-600 Class 2 or updated standard.
2. Printed Circuit Board is defined by files listed in fileset.
3. Modification to copper within the PCB outline is not allowed without permission, except where noted otherwise. The manufacturer may make adjustments to compensate for manufacturing process, but the final PCB is required to reflect the associated gerber file design  $\pm 0.001$  in. for etched features within the PCB outline.
4. Material in accordance with IPC-4101/21, FR4, Tg 125°C min.
5. Layer to layer registration shall not exceed  $\pm 0.004$  in.
6. External finished copper conductor thickness shall be 0.0026 in. min. (ie 2 oz)
7. Copper plating thickness for through holes shall be 0.0013 in. min. (ie 1 oz)
8. All holes sizes are finished hole size.
9. Finished PCB thickness 0.062 in.
10. All un-dimensioned holes to be drilled using the NC drill data.
11. Size tolerance of plated holes:  $\pm 0.003$  in.: non-plated holes  $\pm 0.002$  in.
12. All holes shall be  $\pm 0.003$  in. of their true position U.D.S.
13. Construction to be SMOBC, using liquid photo image (LPI) solder mask in accordance with IPC-SM-B40C, Type B, Class 2, and be green in color.
14. Solder mask mis-registration  $\pm 0.004$  in. max.
15. Silkscreen shall be permanent non-conductive white ink.
16. The fabrication process shall be UL approved and the PCB shall have a flammability rating of UL94V0 to be marked on the solder side in silkscreen with date, manufactures approved logo, and type designation.
17. Warp and twist of the PCB shall not exceed 0.0075 in. per in.
18. 100% electrical verification required.
19. Surface finish: electroless nickel immersion gold (ENIG)
20. RoHS 2002/95/EC compliance required.

## ECA PICTURE

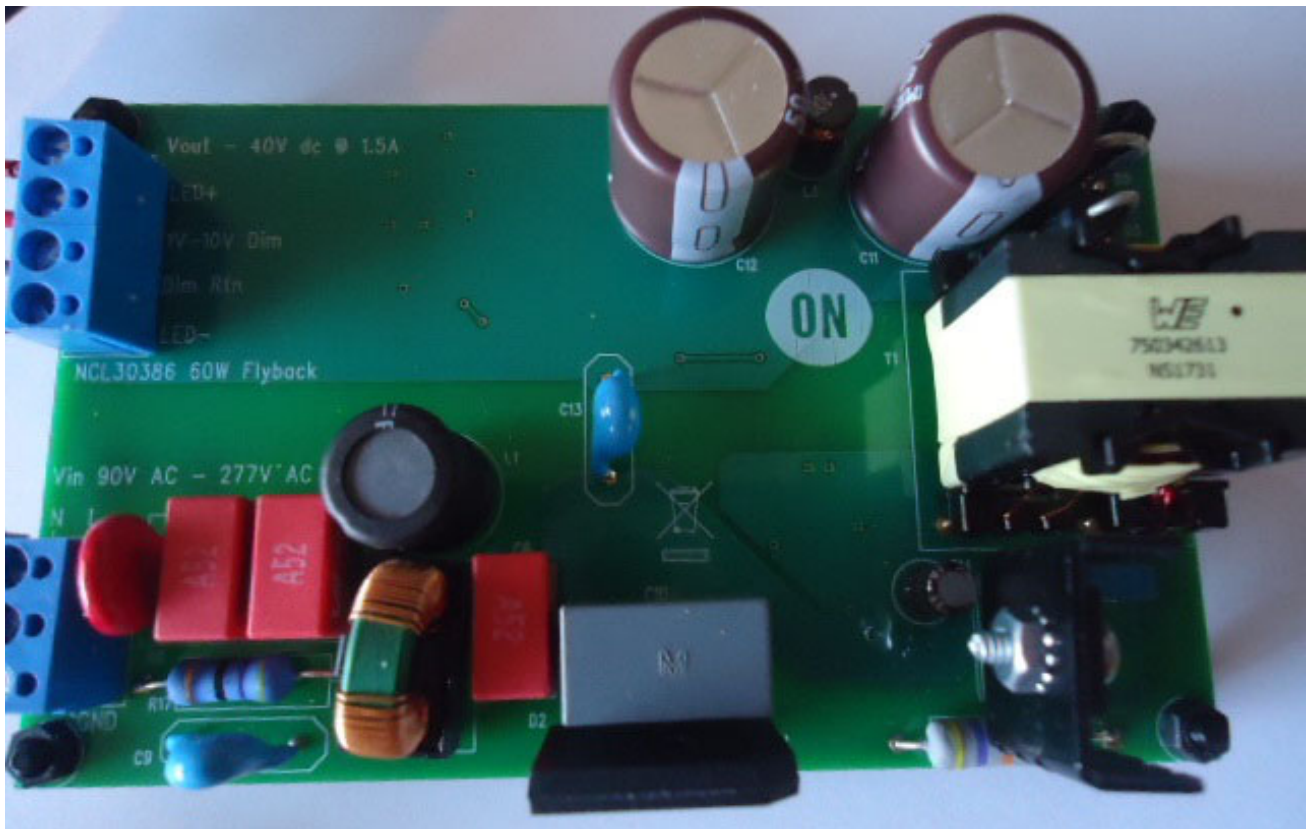


Figure 8. Top View

# NCL30386LED1GEVB

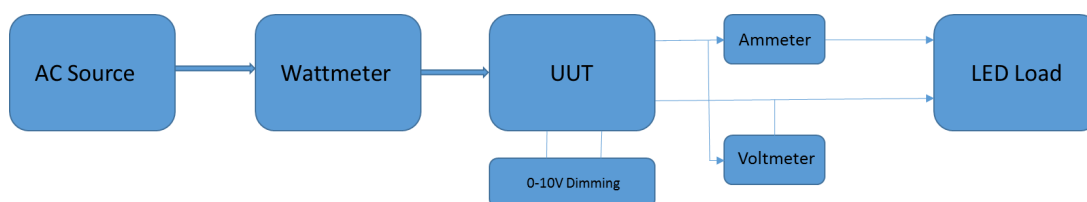
## TEST PROCEDURE

### Equipment Needed

- AC Source – 90 to 265 V ac 50/60 Hz Minimum 100 W capability
- AC Wattmeter – 100 W Minimum, True RMS Input Voltage, Current, and Power Factor 0.2% accuracy or better
- DC Voltmeter – 100 V dc minimum 0.1% accuracy or better
- DC Ammeter – 2 A dc minimum 0.1% accuracy or better
- Adjustable DC Power Supply – 0 to 10 V dc minimum, 0.1 A minimum
- LED Load – 35 V to 40 V @ 1.5 A
- Resistor Load – 100 Ω, 30 Watt minimum

### Test Connections

1. Connect the LED Load to J6 ‘LED+’ and ‘LED–’ terminals through the ammeter shown in Figure 9. **Caution: Observe the correct polarity or the load may be damaged.**
2. Connect the AC power to the input of the AC wattmeter shown in Figure 9. Connect J1 ‘L’ and ‘N’ terminals to the output of the AC wattmeter. Connect J1 Earth to ground for safety.
3. Connect the Adjustable DC Power Supply positive lead to J6 ‘1V–10V Dim’ and the negative lead to J6 ‘Dim Rtn’ terminals.
4. Connect the DC voltmeter as shown in Figure 9.



NOTE: Unless otherwise specified, all voltage measurements are taken at the terminals of the UUT.

Figure 9. Test Set Up

### Constant Current Regulation

#### Functional Test Procedure

1. Set the LED Load between 36 and 40 Volts.
2. Set the Adjustable Power Supply to 10 V dc. **Caution: Never exceed 11 V on the 1 V – 10 V Dim input.**
3. Set the input voltage as indicated. **Caution: Do not touch the ECA once it is energized because there are hazardous voltages present.**

#### Max Load:

- ♦ Set Adjustable Power Supply for 10 V dc on 1 V–10 V Dim input
- ♦ Enter ‘P’ or ‘F’ in column depending on test result

	Input Power	Power Factor		Output Current		Output Voltage
		Reading	Pass/Fail (>0.9)	Reading	Pass/Fail (1.35 A to 1.55 A)	
90 V						
120 V						
230 V						
265 V						

$$\text{Efficiency} = \frac{V_{\text{out}} \times I_{\text{out}}}{P_{\text{in}}} \times 100\% \quad (\text{eq. 2})$$



# NCL30386LED1GEVB

## Dimming Performance

- ◆ Set Input Voltage to 120 V ac for all tests shown below

- ◆ Set Adjustable Power supply as indicated for dimming test
- ◆ Enter 'P' or 'F' in column depending on test result

	Output Current			Output Voltage
	Reading	Limits	Pass/Fail	
5 V		0.76 – 0.66 A dc		
2.5 V		0.36 – 0.48 A dc		

$$\text{Efficiency} = \frac{V_{\text{out}} \times I_{\text{out}}}{P_{\text{in}}} \times 100\% \quad (\text{eq. 3})$$

- Set input voltage to zero after completing tests above.

## Constant Voltage Regulation

### Functional Test Procedure

- Remove LED load and replace with 100 Ω resistor to J6 'LED+' and 'LED-' terminals.
- Set the Adjustable Power Supply to 10 V dc.  
**Caution: Never exceed 11 V on 1 V–10 V Dim input.**
- Set the input voltage as indicated. **Caution: Do not touch the ECA once it is energized because there are hazardous voltages present.**

- ◆ Enter 'P' or 'F' in column depending on test result

Input Voltage	Output Voltage	
	Reading	Pass/Fail (<43 V dc)
120 V		
230 V		

- Turn off all power sources at end of test.

# NCL30386LED1GEVB

## TEST DATA

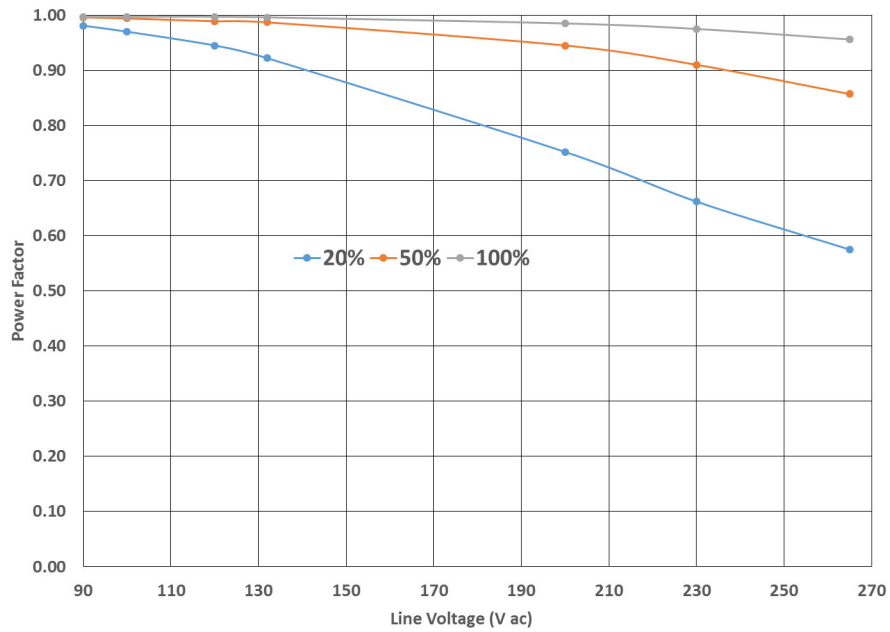


Figure 10. Power Factor over Line

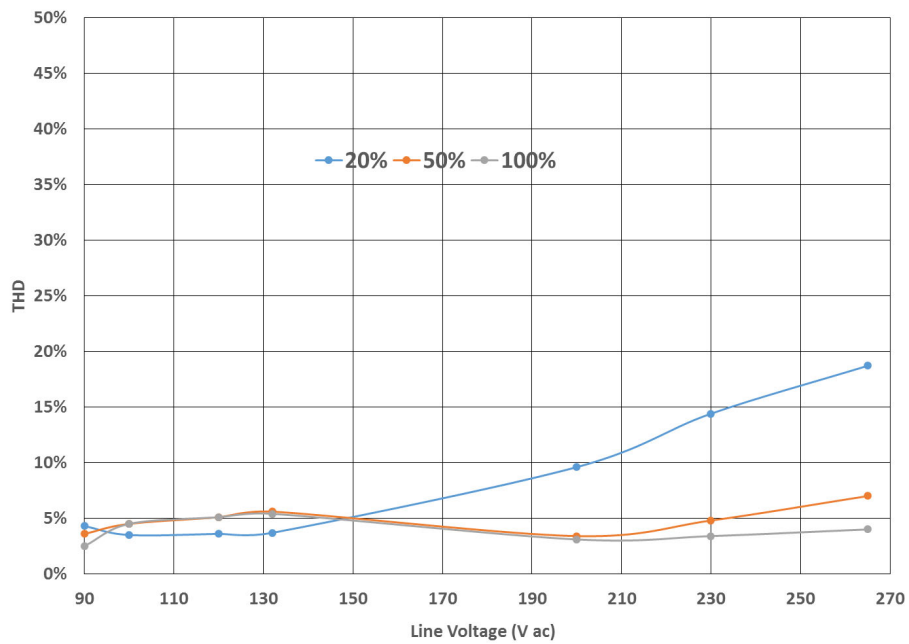


Figure 11. THD over Line

# NCL30386LED1GEVB

## TEST DATA

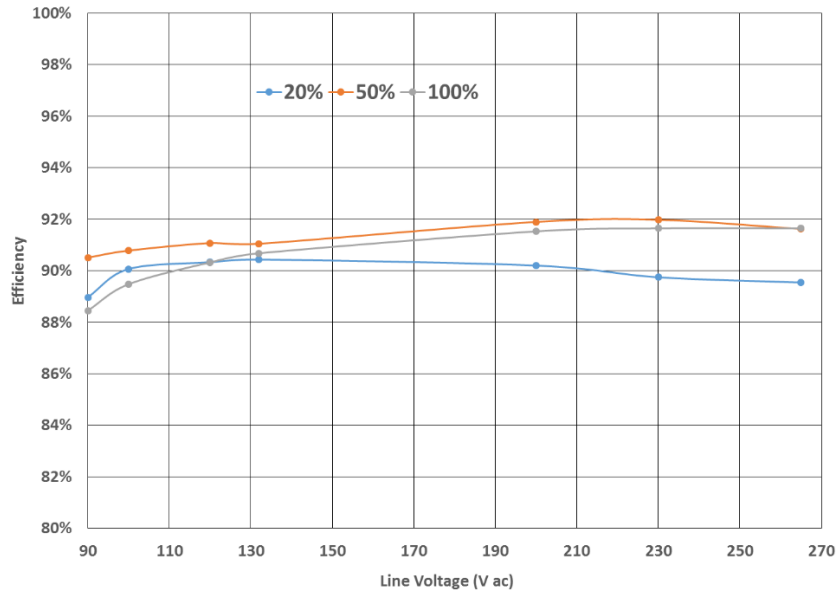


Figure 12. Efficiency

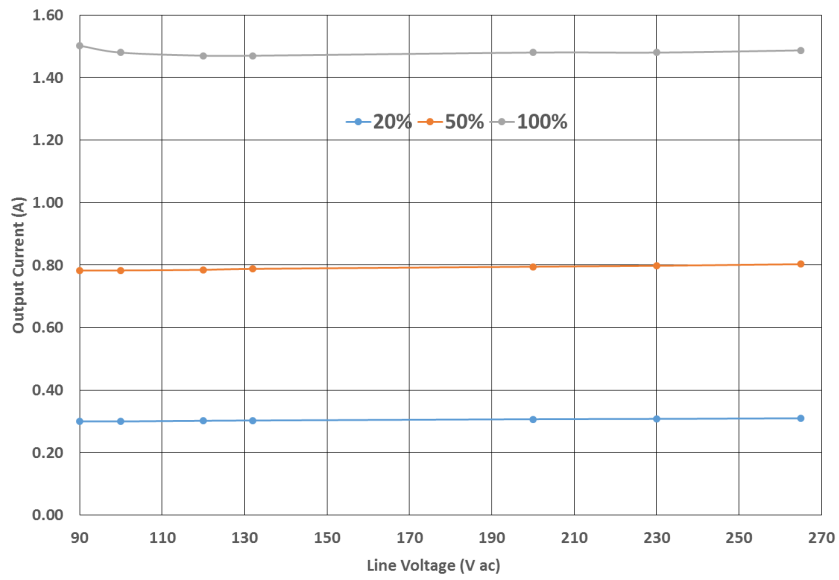


Figure 13. Regulation over Line

# NCL30386LED1GEVB

## TEST DATA

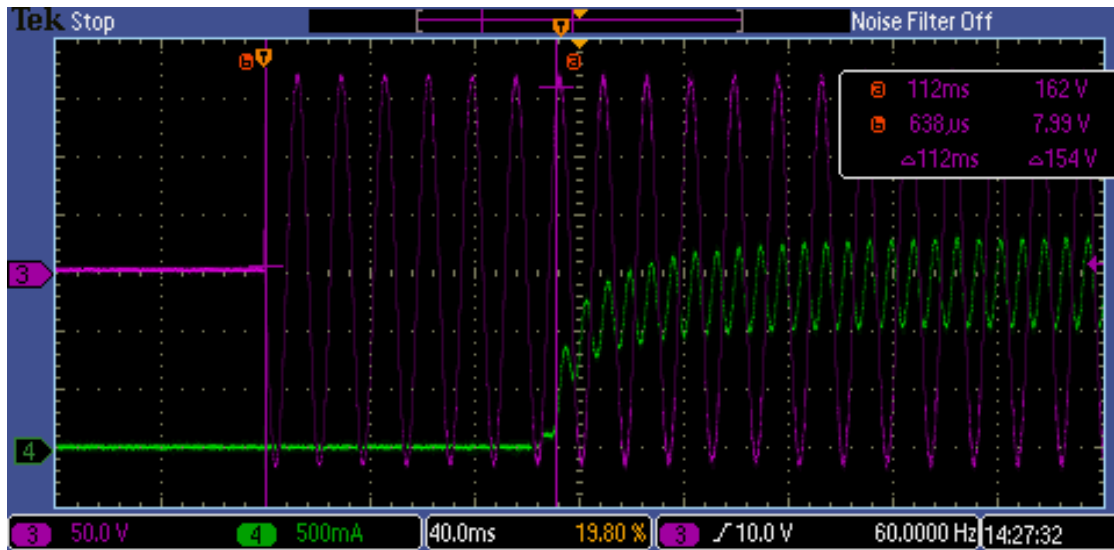


Figure 14. Start Up with AC Applied 120 V

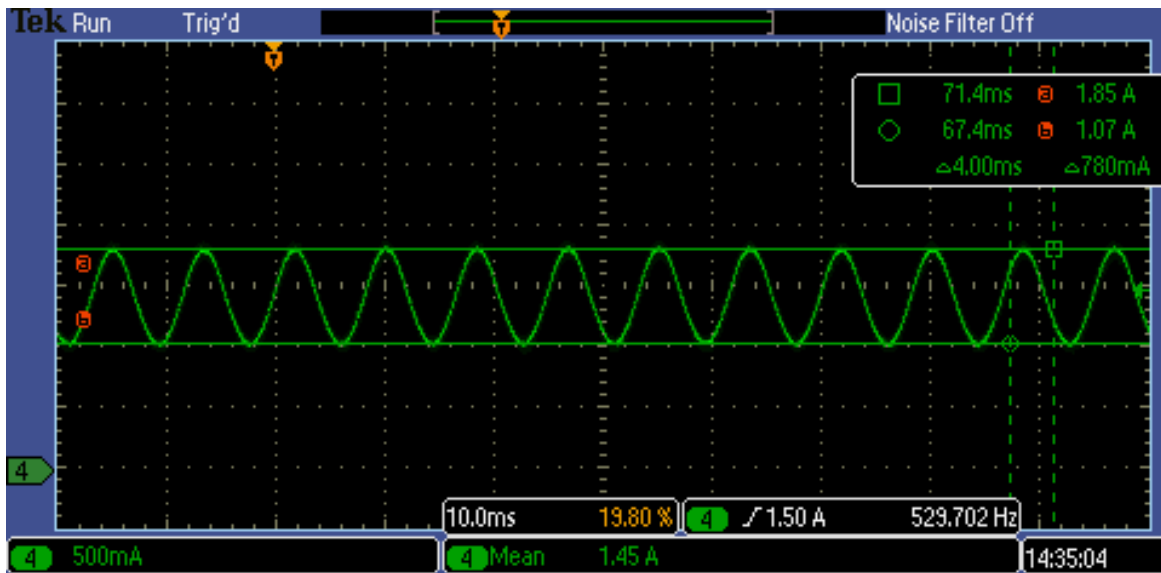


Figure 15. Start Up with AC Applied 230 V

# NCL30386LED1GEVB

## TEST DATA

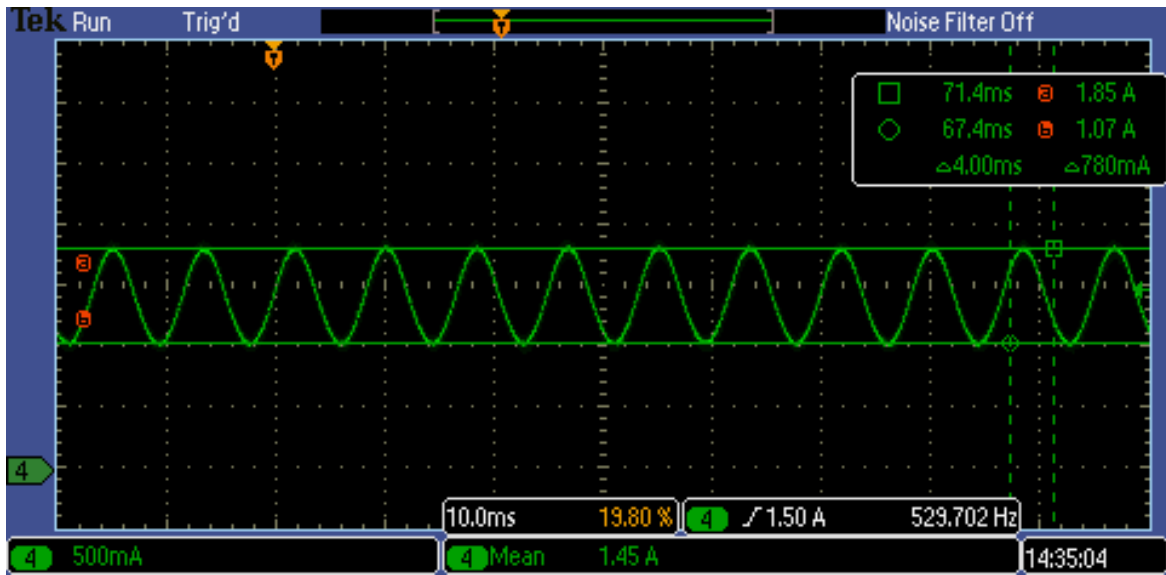


Figure 16. Output Ripple 50% P-P

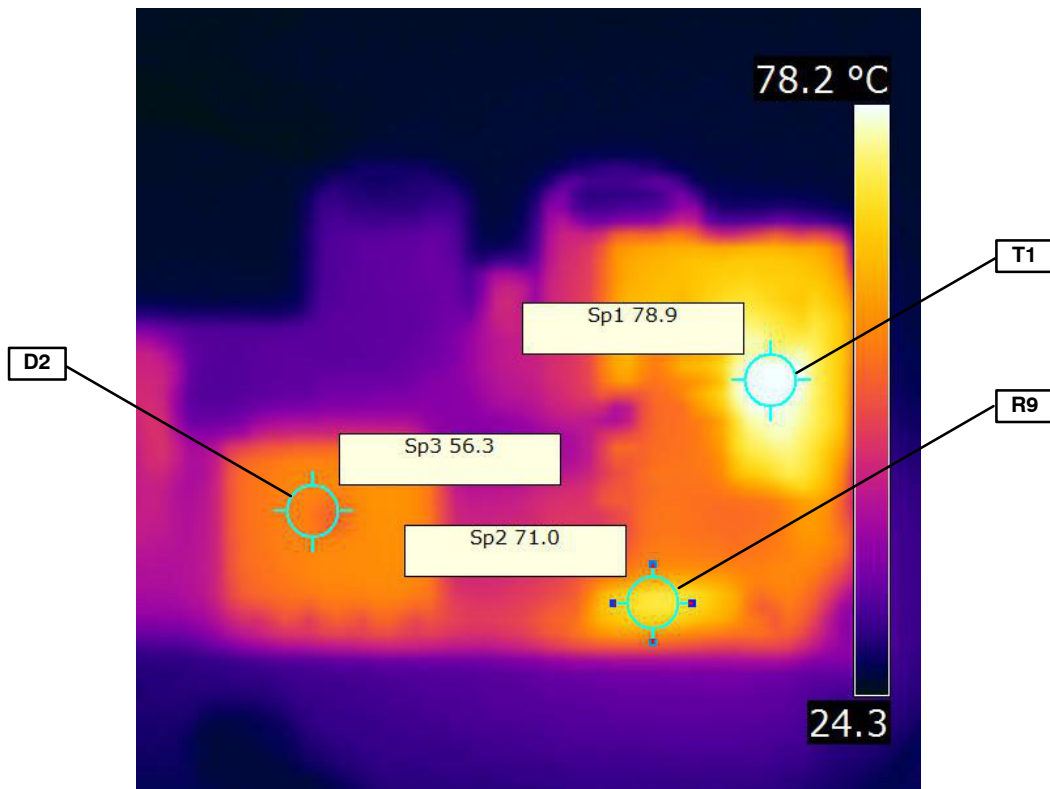


Figure 17. Thermal Image Side View

NCL30386LED1GEVB

TEST DATA

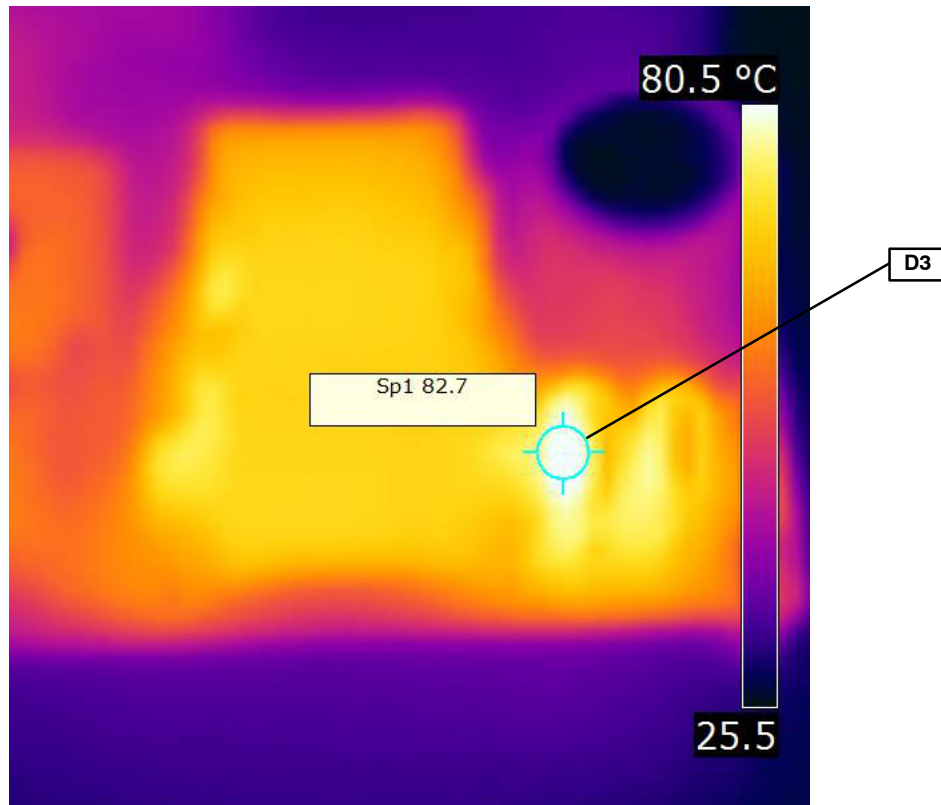


Figure 18. Thermal Image End View

# NCL30386LED1GEVB

**Table 1. BILL OF MATERIALS**

Quantity	Reference	Part	Manufacturer	Part Number
1	C1	100 nF	Wurth	885012207045
1	C2	10 µF	Wurth	885012207003
1	C4	10 nF	Wurth	885012207039
1	C5	1 µF	Wurth	885012207078
3	C6, C7, C8	150 nF	Wurth	890334023025
2	C9, C13	2.2 nF	Murate	DE1E3KX222MN4AL01
1	C10	470 nF	Wurth	890334025039
2	C11, C12	1000 µF 50 V	Wurth	860160680034
1	C14	10 µF 35 V	Nichicon	USV1V100MFD
1	C15	4.7 nF 630 V	Kemet	B32529C8472J000
2	C16, C19	100 pF	Wurth	885012006023
1	C17	22 nF	Wurth	885012207041
1	C18	220 nF	Wurth	885012207047
1	D1	MMSZ15T1G	ON Semiconductor	MMSZ15T1G
1	D2	GBL08-E3/45	Vishay	GBL08-E3/45
2	D3, D5	MUR440RLG	ON Semiconductor	MUR440RLG
1	D4	ES1JFL	ON Semiconductor	ES1JFL
1	D6	MURS160T3G	ON Semiconductor	MURS160T3G
1	F1	1A6 Slo	Belfuse	UMTS 1.6
1	J1	CON3	Wurth	691101710003
1	J6	CONN PCB 4	On Shore Technology Inc.	ED120/4DS
1	L1	820 µH	Abracon	AIUR-06-821K
1	L2	5 mH	Murata	51505C
1	L3	10 µH	Wurth	744779100
1	QFET1	FCPF380N65FL1	ON Semiconductor	FCPF380N65FL1
1	R1	18 kΩ	Yaego	RC0805FR-0718KL
2	R2,R7	100 kΩ	Yaego	RC0805FR-07100KL
2	R3, R6	1 kΩ	Yaego	RC0805FR-071KL
2	R4, R5	10 kΩ	Yaego	RC0805FR-0710KL
1	R8	320 V	Littelfuse	V320LA10P
1	R9	47kΩ 2 W	Yageo	RSF200JB-73-47K
1	R10	56 kΩ	Yaego	RC0805FR-0756KL
1	R11	82 kΩ	Yaego	RC0805FR-0782KL
1	R12	7.5 kΩ	Yaego	RC0805FR-077k5L
1	R13	620 Ω	Yaego	RC0805FR-07620RL
1	R14	0.36 Ω 1 W	Panasonic	ERJ-1TRQFR36U
1	R15	0.39 Ω 1 W	Yageo	RL2512FK-070R39L
1	R17	47 Ω 2 W	Yageo	RSF200JB-73-47R
1	R18	10 Ω	Yaego	RC0805FR-0710RL
1	T1	750342613	Wurth	750342613
1	U1	MC33060A	ON Semiconductor	MC33060ADG
1	U2	NCL30386B	ON Semiconductor	NCL30386B
1	U3	FOD817A3SD	Fairchild	FOD817A3SD
1	QFET1	507302B00000G	Aavid	507302B00000G

NOTES: All Components to comply with RoH

ON Semiconductor and the ON Semiconductor logo are trademarks of Semiconductor Components Industries, LLC dba ON Semiconductor or its subsidiaries in the United States and/or other countries. ON Semiconductor owns the rights to a number of patents, trademarks, copyrights, trade secrets, and other intellectual property. A listing of ON Semiconductor's product/patent coverage may be accessed at [www.onsemi.com/site/pdf/Patent-Marking.pdf](http://www.onsemi.com/site/pdf/Patent-Marking.pdf). ON Semiconductor is an Equal Opportunity/Affirmative Action Employer. This literature is subject to all applicable copyright laws and is not for resale in any manner.

The evaluation board/kit (research and development board/kit) (hereinafter the "board") is not a finished product and is as such not available for sale to consumers. The board is only intended for research, development, demonstration and evaluation purposes and should as such only be used in laboratory/development areas by persons with an engineering/technical training and familiar with the risks associated with handling electrical/mechanical components, systems and subsystems. This person assumes full responsibility/liability for proper and safe handling. Any other use, resale or redistribution for any other purpose is strictly prohibited.

The board is delivered "AS IS" and without warranty of any kind including, but not limited to, that the board is production-worthy, that the functions contained in the board will meet your requirements, or that the operation of the board will be uninterrupted or error free. ON Semiconductor expressly disclaims all warranties, express, implied or otherwise, including without limitation, warranties of fitness for a particular purpose and non-infringement of intellectual property rights.

ON Semiconductor reserves the right to make changes without further notice to any board.

You are responsible for determining whether the board will be suitable for your intended use or application or will achieve your intended results. Prior to using or distributing any systems that have been evaluated, designed or tested using the board, you agree to test and validate your design to confirm the functionality for your application. Any technical, applications or design information or advice, quality characterization, reliability data or other services provided by ON Semiconductor shall not constitute any representation or warranty by ON Semiconductor, and no additional obligations or liabilities shall arise from ON Semiconductor having provided such information or services.

The boards are not designed, intended, or authorized for use in life support systems, or any FDA Class 3 medical devices or medical devices with a similar or equivalent classification in a foreign jurisdiction, or any devices intended for implantation in the human body. Should you purchase or use the board for any such unintended or unauthorized application, you shall indemnify and hold ON Semiconductor and its officers, employees, subsidiaries, affiliates, and distributors harmless against all claims, costs, damages, and expenses, and reasonable attorney fees arising out of, directly or indirectly, any claim of personal injury or death associated with such unintended or unauthorized use, even if such claim alleges that ON Semiconductor was negligent regarding the design or manufacture of the board.

This evaluation board/kit does not fall within the scope of the European Union directives regarding electromagnetic compatibility, restricted substances (RoHS), recycling (WEEE), FCC, CE or UL, and may not meet the technical requirements of these or other related directives.

**FCC WARNING** – This evaluation board/kit is intended for use for engineering development, demonstration, or evaluation purposes only and is not considered by ON Semiconductor to be a finished end product fit for general consumer use. It may generate, use, or radiate radio frequency energy and has not been tested for compliance with the limits of computing devices pursuant to part 15 of FCC rules, which are designed to provide reasonable protection against radio frequency interference. Operation of this equipment may cause interference with radio communications, in which case the user shall be responsible, at its expense, to take whatever measures may be required to correct this interference.

ON Semiconductor does not convey any license under its patent rights nor the rights of others.

**LIMITATIONS OF LIABILITY:** ON Semiconductor shall not be liable for any special, consequential, incidental, indirect or punitive damages, including, but not limited to the costs of requalification, delay, loss of profits or goodwill, arising out of or in connection with the board, even if ON Semiconductor is advised of the possibility of such damages. In no event shall ON Semiconductor's aggregate liability from any obligation arising out of or in connection with the board, under any theory of liability, exceed the purchase price paid for the board, if any.

For more information and documentation, please visit [www.onsemi.com](http://www.onsemi.com).

---

## PUBLICATION ORDERING INFORMATION

### LITERATURE FULFILLMENT:

Email Requests to: [orderlit@onsemi.com](mailto:orderlit@onsemi.com)

ON Semiconductor Website: [www.onsemi.com](http://www.onsemi.com)

### TECHNICAL SUPPORT

North American Technical Support:

Voice Mail: 1 800-282-9855 Toll Free USA/Canada

Phone: 011 421 33 790 2910

Europe, Middle East and Africa Technical Support:

Phone: 00421 33 790 2910

For additional information, please contact your local Sales Representative