

RC/RM Machined contact AWG16

A unique contact technology for a wide range of railway connectors

Qualified for railway applications ■ Machined crimp contact

Low contact resistance ■ Gold plated

Good contact retention ■ Locking spring

Suitable for automatic crimping ■ Available on plastic carrier

Technical features

- Machined crimp contact
- **Contact body:** High conductive copper alloy
- **Plating:** K (Std) Min. 0.4µm gold all over, over nickel
- **Current per contact max.:** 15A according to NFF61030
- **Contact resistance:** ≤ 3 MΩ
- **Contact retention in body:** 110 N min.
- **Individual insertion force:** 3.5 N max.
- **Individual withdrawal force:** 0.55 N min
- RC/RM machined contact size 16 can be used in any contact position UTS, UTO, VGE1 and 838 connectors

Ordering information

| | | | | | | |
|--|-------|----|---|----|-------|---|
| Type | (K)RM | 16 | M | 23 | (GE1) | K |
| RM: Male contact bulk packing | (K)RC | 16 | M | 23 | (GE1) | K |
| RC: Female contact bulk packing | | | | | | |
| KRM: Male contact on plastic carrier strip | | | | | | |
| KRC: Female contact on plastic carrier strip | | | | | | |
| Wire size | | | | | | |
| #14 – #16 – #20 – #24 – #28 | | | | | | |
| Contact size #16 | | | | | | |
| .0625" (1.6mm) diameter contacts | | | | | | |
| Design variation: Crimp barrel | | | | | | |
| Contact type | | | | | | |
| No digit: Pin | | | | | | |
| GE1: Longer contact | | | | | | |
| GE3: Shorter contact (only male contact) | | | | | | |
| GE7: Shorter contact (only female contact) | | | | | | |
| Plating indication: | | | | | | |
| K: Gold | | | | | | |
| Other plating on request | | | | | | |
| Packing quantity | | | | | | |
| No digit (std): 50 pcs bulk packing (RM/RC) | | | | | | |
| 2000 pcs on reel (KRM/KRC) | | | | | | |
| 1000: 1000 pcs bulk packing (RM/RC) | | | | | | |

The RM/RC machined contact packing

Conscious of the wide variety of applications, contact packaging has been considered for small series (bulk packaging) and high volume production (reeled contacts):



- 50 pieces bulk package (machined contacts)

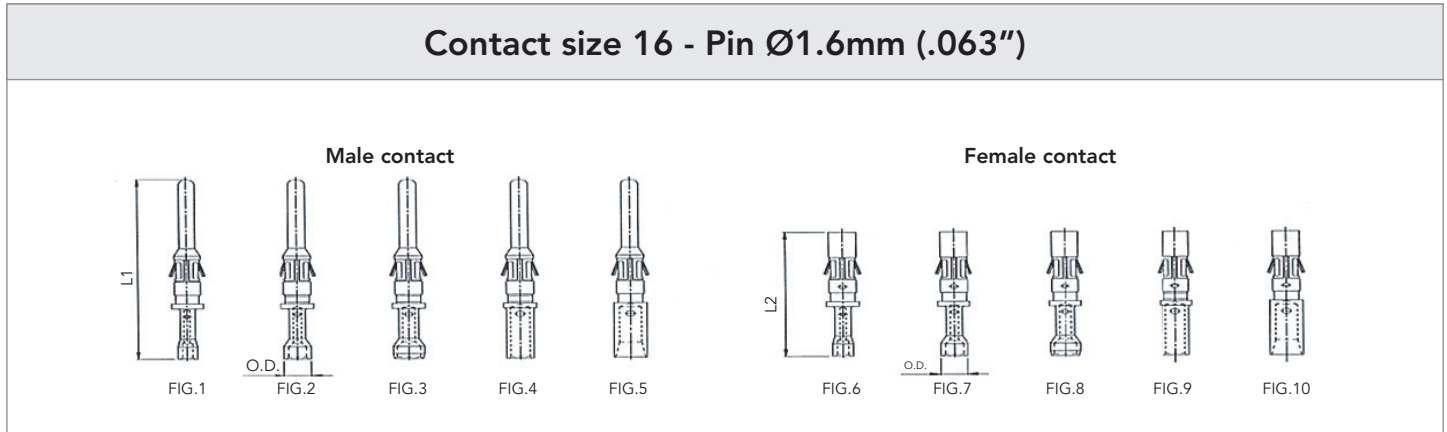


- 1000 pieces bulk package (machined contacts)



- 5000 pieces reeled (machined contacts)

RM/RC machined contacts



Part numbers & dimensions

| Part numbers | | | | Wire size | | Max. wire Ø | Max. insul. Ø | Wire strip length | O.D.** | L1 | L2 |
|--------------|------|----------------|------|-----------|-----------------|-------------|---------------|-------------------|--------|------|------|
| Male contact | FIG. | Female contact | FIG. | AWG | mm ² | | | | | | |
| RM28M1K | 1 | RC28M1K | 6 | 30-28 | 0.05-0.08 | 0.55 | 1.1 | 4.8 | 1.90 | 26.2 | 18.2 |
| RM24M9K | 2 | RC24M9K | 7 | 26-24 | 0.13-0.20 | 0.8 | 1.6 | | 2.55 | | |
| RM20M13K | 3 | RC20M13K | 8 | 22-20 | 0.32-0.52 | 1.18 | 1.8 | | 2.92 | | |
| RM20M12K | | RC20M12K | | | | | 2.2 | 2.92 | | | |
| RM16M23K | 4 | RC16M23K | 9 | 20-16 | 0.50-1.50 | 1.80 | 3.2 | 7.1 | 2.55 | 26.2 | 18.2 |
| RM14M50K | 5 | RC14M50K | 10 | 16-14 | 1.5-2.5 | 2.05 | | | 3.10 | | |
| RM14M30K | 5 | RC14M30K | 10 | 16-14 | 1.5-2.5 | 2.28 | | | 3.10 | | |

For machined contacts reeled on plastic carrier: put «K» in front of part number example: KRM16M13K

Dimensions

Comparison with standard RM / RC contacts

| | GE1 | GE3 | GE7 |
|-----------------------------|----------|-------|---------|
| RM contact (male contact) | + 1 mm | -1 mm | - |
| RC contact (female contact) | + 1.5 mm | - | -0.6 mm |

Contact selector guide

| | Standard RC contact | RM*GE1 | RC*GE7 |
|---------------------|------------------------|--------|------------------------|
| Standard RC contact | | | |
| Standard RM contact | | | Last Mate, First Break |
| RM*GE1 | First Mate, Last Break | | |

First Mate, Last Break contact can be used as grounding contact.

Note : all dimensions are in mm / ** Outer diameter

RM/RC machined contact

| Longer | | | | | | | | | | | |
|--------------|------|----------------|------|-----------|-----------|-------------|---------------|-------------------|--------|------|------|
| Part numbers | | | | Wire size | | Max. wire Ø | Max. insul. Ø | Wire strip length | O.D.** | L1 | L2 |
| Male contact | FIG. | Female contact | FIG. | AWG | mm² | | | | | | |
| RM28M1GE1K | 1 | RC28M1GE1K | 6 | 30-28 | 0.05-0.08 | 0.55 | 1.1 | 4.8 | 1.90 | 27.2 | 19.7 |
| RM24M9GE1K | 2 | RC24M9GE1K | 7 | 26-24 | 0.13-0.20 | 0.8 | 1.6 | | 2.55 | | |
| RM20M13GE1K | 3 | RC20M13GE1K | 8 | 22-20 | 0.32-0.52 | 1.18 | 1.8 | | 2.92 | | |
| RM20M12GE1K | | RC20M12GE1K | | | | | 2.2 | 2.55 | | | |
| RM16M23GE1K | 4 | RC16M23GE1K | 9 | 20-16 | 0.52-1.50 | 1.80 | 3.2 | 7.1 | 2.55 | | |
| RM14M50GE1K | 5 | RC14M50GE1K | 10 | 16-14 | 1.5-2.5 | 2.05 | | | 3.10 | | |
| RM14M30GE1K | 5 | RC14M30GE1K | 10 | | | 2.28 | | | | | |

| Shorter | | | | | | | | | | | |
|--------------|------|----------------|------|-----------|-----------|-------------|---------------|-------------------|--------|------|------|
| Part numbers | | | | Wire size | | Max. wire Ø | Max. insul. Ø | Wire strip length | O.D.** | L1 | L2 |
| Male contact | FIG. | Female contact | FIG. | AWG | mm² | | | | | | |
| RM28M1GE3K | 1 | RC28M1GE7K | 6 | 30-28 | 0.05-0.08 | 0.55 | 1.1 | 4.8 | 1.90 | 25.2 | 17.6 |
| RM24M9GE3K | 2 | RC24M9GE7K | 7 | 26-24 | 0.13-0.20 | 0.8 | 1.6 | | 2.55 | | |
| RM20M13GE3K | 3 | RC20M13GE7K | 8 | 22-20 | 0.32-0.52 | 1.18 | 1.8 | | 2.92 | | |
| RM20M12GE3K | | RC20M12GE7K | | | | | 2.2 | 2.55 | | | |
| RM16M23GE3K | 4 | RC16M23GE7K | 9 | 20-16 | 0.52-1.50 | 1.80 | 3.2 | 7.1 | 2.55 | | |
| RM14M50GE3K | 5 | RC14M50GE7K | 10 | 16-14 | 1.5-2.5 | 2.05 | | | 3.10 | | |
| RM14M30GE3K | 5 | RC14M30GE7K | 10 | | | 2.28 | | | | | |

| Crimptooling | | | | | | | | | |
|------------------|-----------|-----------|--------------|----------|---------------------|----------|---------------|-----------------|--|
| Stripping length | Wire size | | Part numbers | | Tool | Locator | Tool selector | Extraction tool | |
| | AWG | mm² | | | | | | | |
| 4.8 | 30-28 | 0.05-0.08 | RM28M1* | RC28M1* | MH860 (M22520/7-01) | MH86164G | 4/6 | RX2025GE1 | |
| | 26-24 | 0.13-0.2 | RM24M9* | RC24M9* | MH860 (M22520/7-01) | MH86164G | 5/6 | | |
| | 22-20 | 0.32-0.52 | RM20M12* | RC20M12* | MH860 (M22520/7-01) | MH86164G | 5/7 | | |
| 7.1 | 20-16 | 0.5-1.5 | RM16M23* | RC16M23* | MH860 (M22520/7-01) | MH86164G | 6/8 | | |
| | 16-14 | 1.5-2.5 | RM14M30 | RC16M30* | AF8 (M22520/1-01) | TP1142 | 8 | | |
| | 16-14 | 1.5-2.5 | RM14M50* | RC14M50* | AF8 (M22520/1-01) | TP1142 | 8 | | |

SOURIAU
 railway-connectors.com

contactindustry@souriau.com

SOURIAU

Note : all dimensions are in mm