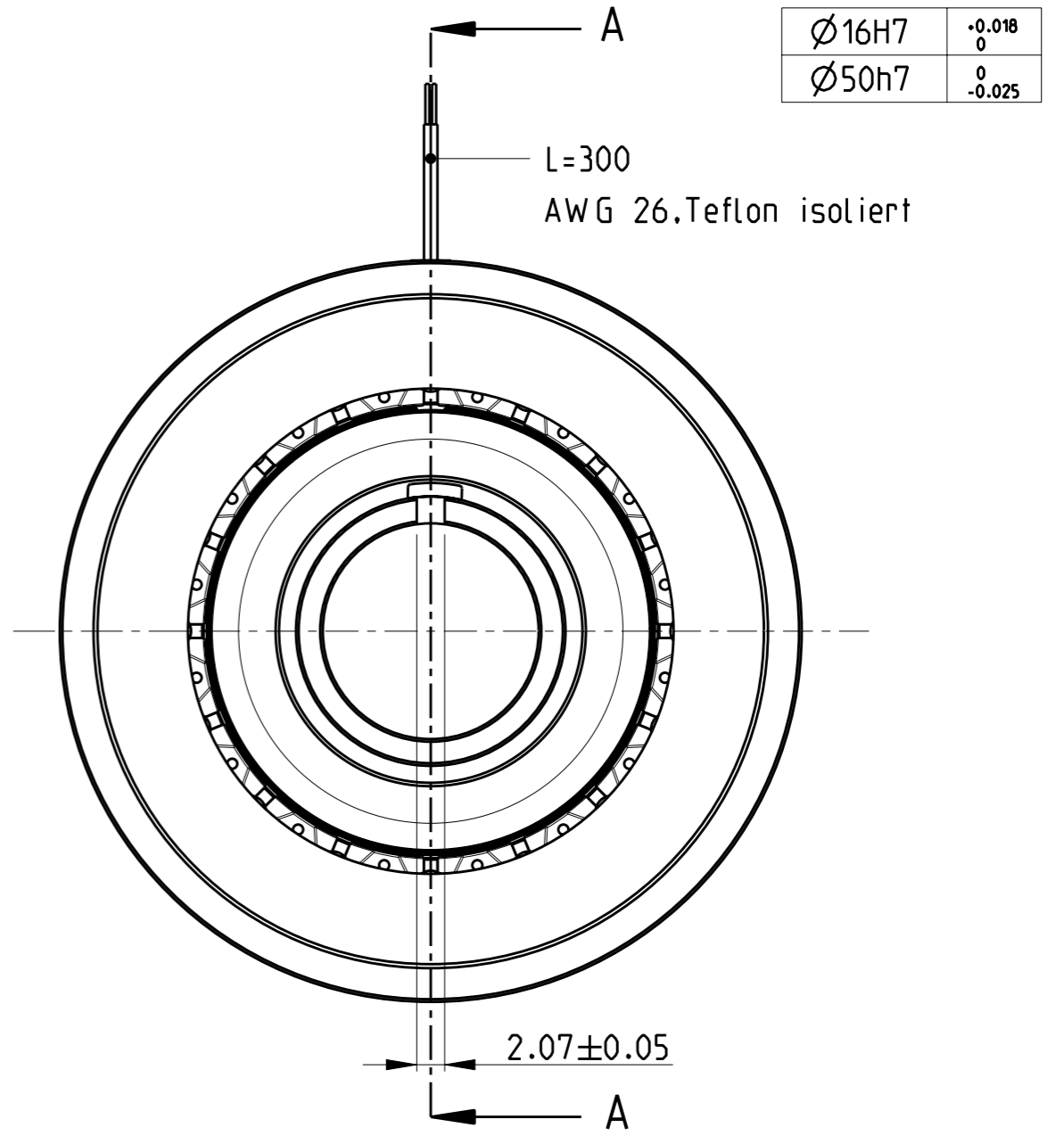
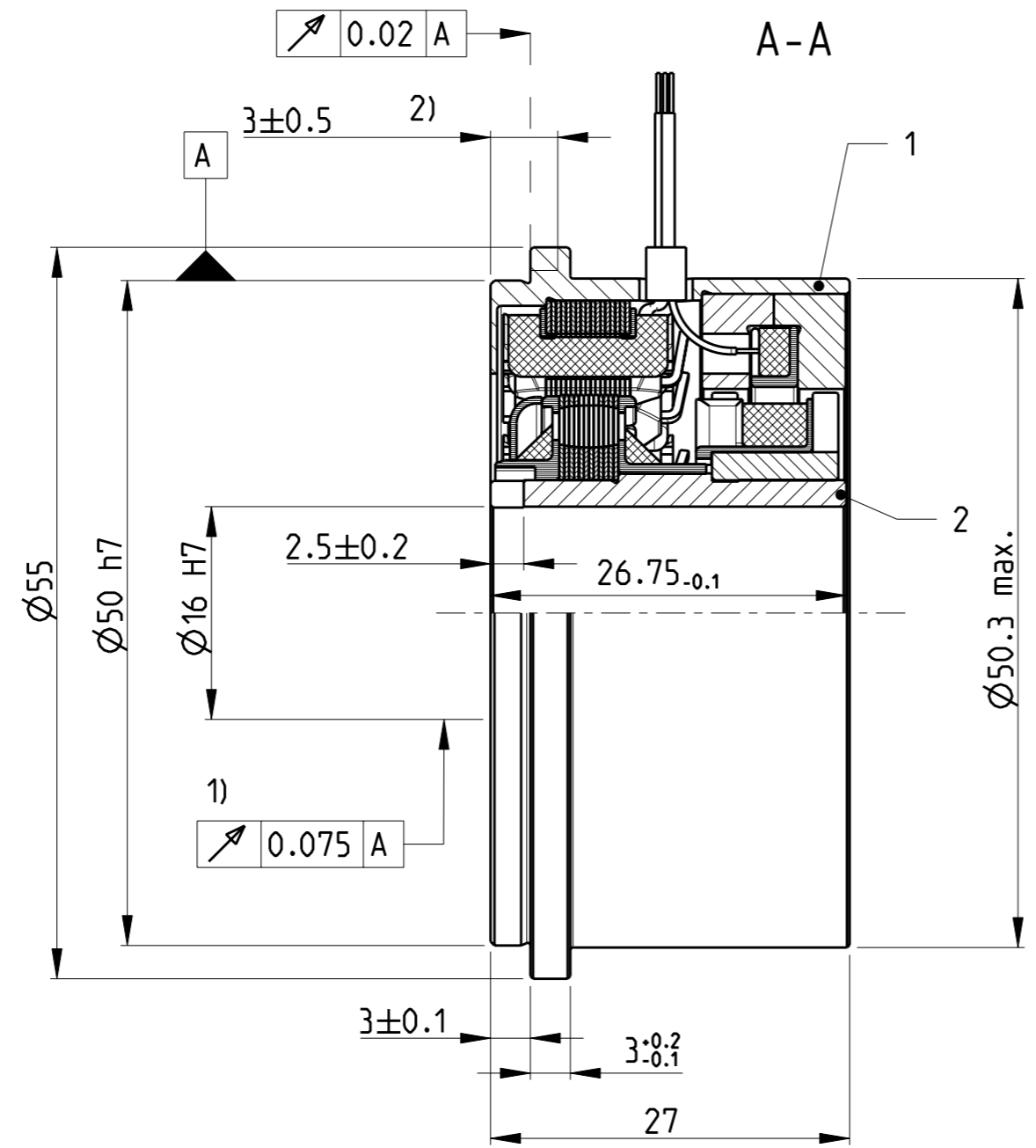
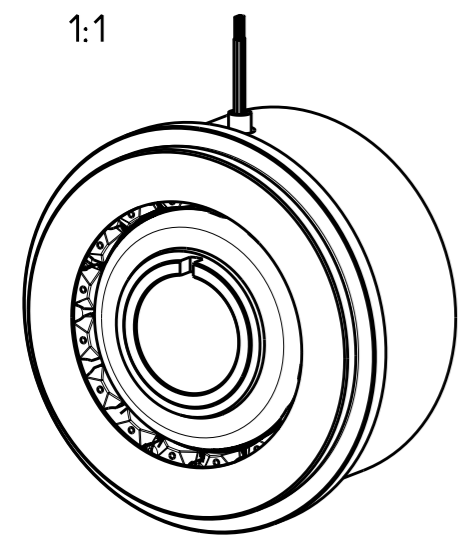


THIS DRAWING IS UNPUBLISHED. RELEASED FOR PUBLICATION 2005  
 © COPYRIGHT 2005 BY TYCO ELECTRONICS CORPORATION. ALL RIGHTS RESERVED.

LOC	DIST	REVISIONS			
P	LTR	DESCRIPTION	DATE	DWN	APVD
A1	-	New Drawing	25AUG2005	Kr	An
A2	-	ECR-06-017801	24 JUL 2006	Kr	An
C1	-	ECR-09-018278	20OCT2009	Ma	An

Signal	Aderfarbe
S1	rot
S2	gelb
S3	schwarz
S4	blau
R1	rot-weiss
R2	gelb-weiss



1) Gesamtschlag im eingebauten Zustand  
 2) Axialversatz

ITEM NO	PARTNUMBER	DESCRIPTION	ITEM NO
1	1-1824348-0	Rotor kpl. / Bauform B2 (12N)	2
1	1-1824206-0	Gehäuse kpl. / Bauform T2	1
1-1824402-0	PARTNUMBER	DESCRIPTION	ITEM NO
REVISION OF EACH ASSY NO. (WHEN BLANK, USE DWG. REVISION)			
PARTS LIST			

DIMENSIONS: mm		TOLERANCES UNLESS OTHERWISE SPECIFIED:	
0 PLC	±	0 PLC	±
1 PLC	±	1 PLC	±
2 PLC	±	2 PLC	±
3 PLC	±	3 PLC	±
4 PLC	±	4 PLC	±
ANGLES	±	ANGLES	±
MATERIAL	-	FINISH	-

DWN	Kraus	03MAY2005	<b>tyco Electronics</b>		tyco Electronics AMP GmbH
CHK	-	-	D - 67346 Speyer		
APVD	Andrae	24 JUL 2006	NAME		
PRODUCT SPEC			Massbild Hohlwellendrehmelder		
APPLICATION SPEC			Dimensional Drawing Resolver		
			V23401-T2010-B209		
SIZE	A3	CAGE CODE	00779	DRAWING NO	C-4-1393048-3
CUSTOMER DRAWING			SCALE	2:1	SHEET 1 OF 1
			REV	C1	