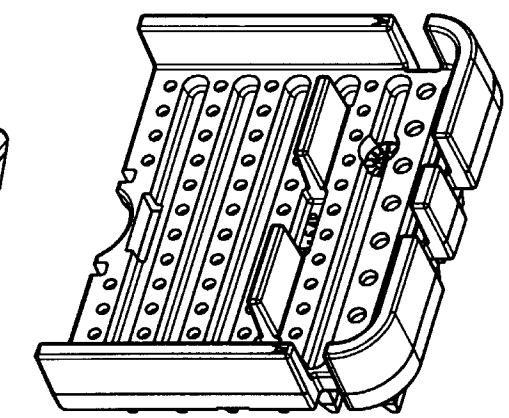
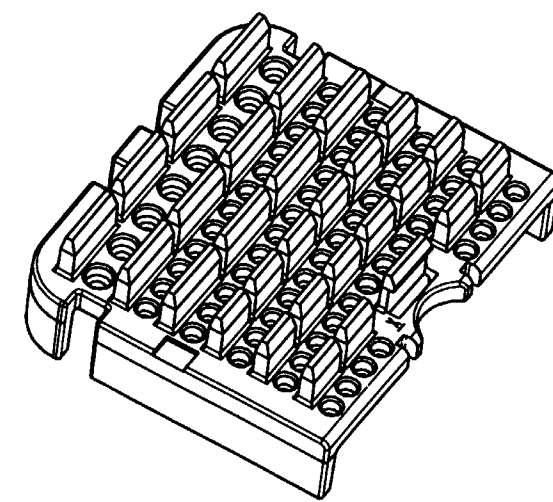
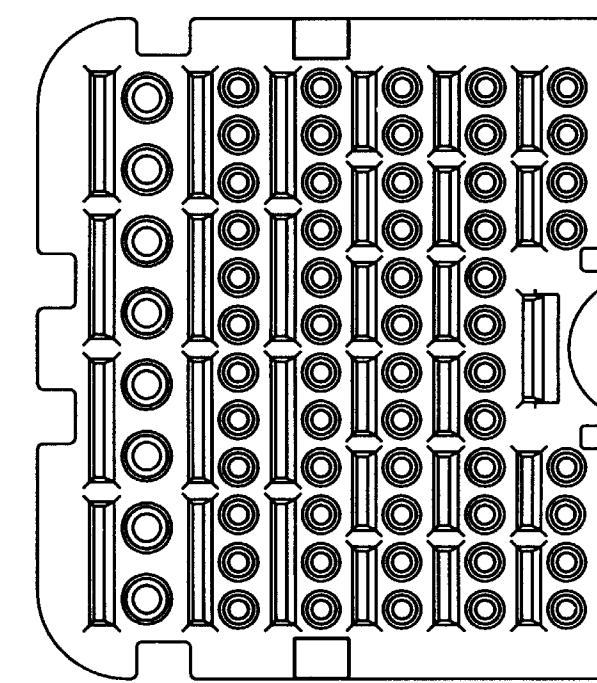
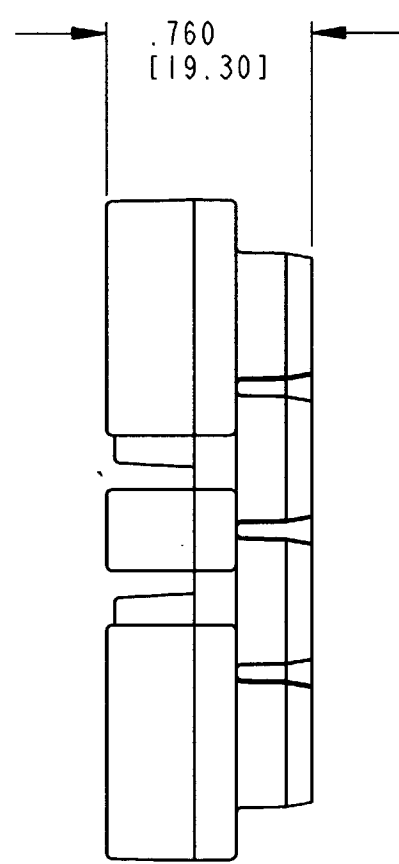
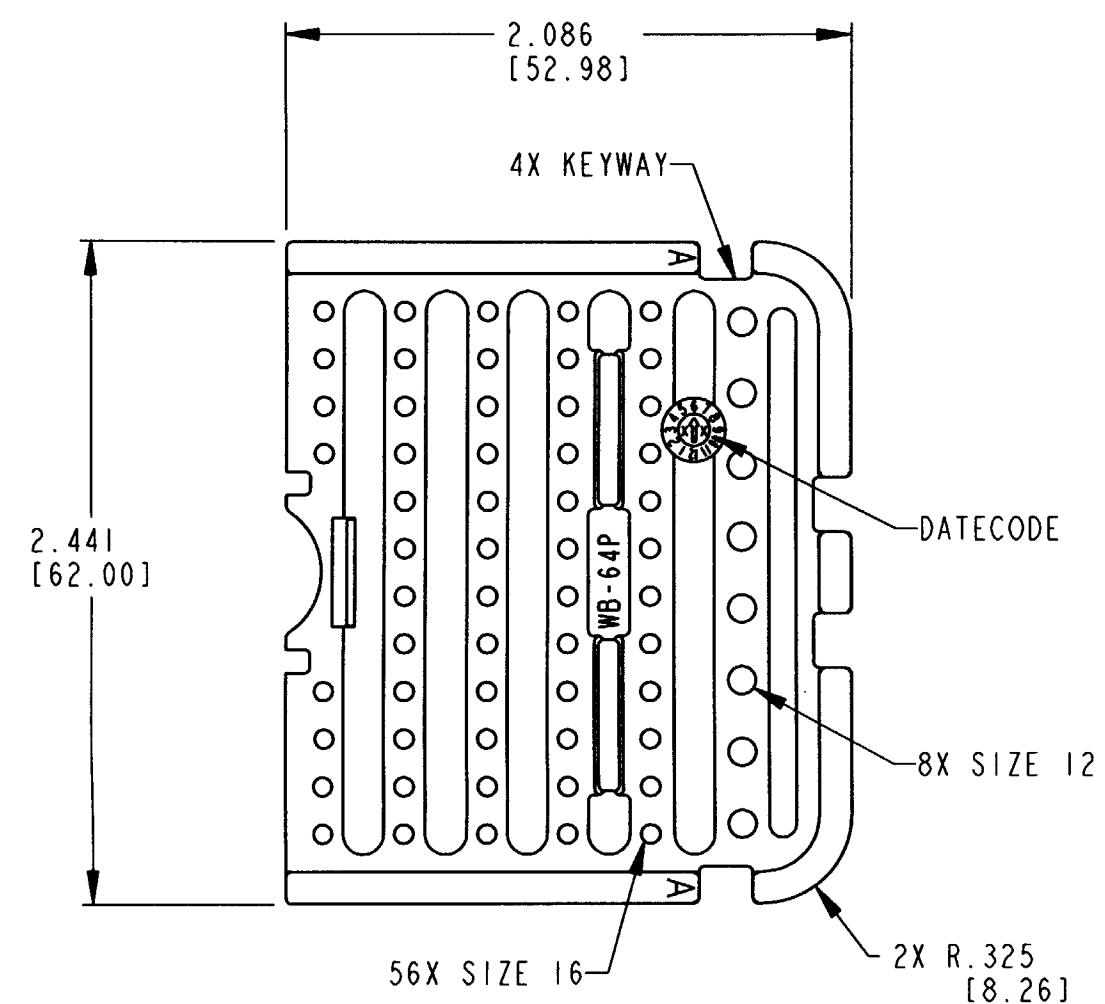


REV
A
WB-64P*

REVISIONS			
SYM	DESCRIPTION	DATE	APPROVED
NC	NEW RELEASE PER E.O. P20345	10/15/09	R.D.R.
A	REVISED PER E.O. P20365	12-5-09	RDR



PART NUMBER	COLOR
WB-64PA	GREY
WB-64PB	BLACK
WB-64PC	GREEN
WB-64PD	BROWN

4. MATERIAL: PLASTIC
3. THIS WEDGE LOCK MATES WITH DRB12-128P*(N)E-**** RECEPTACLE (*=A,B,C,D KEYS; **** = ALL MODIFICATIONS). CONSULT FACTORY FOR MODS.
2. DIMENSION TOLERANCE: ±.025 [.64].
1. DIMENSIONS ARE IN INCHES [mm].

NOTES: UNLESS OTHERWISE SPECIFIED.

SIGNATURE & DATE	
DR	P. CARNAHAN 10/9/09
CHK	D. Mox 12/5/09
PE	Paula Lant 12/4/09
APPD	R. Reed 12-5-09
SCALE	NONE
WT	

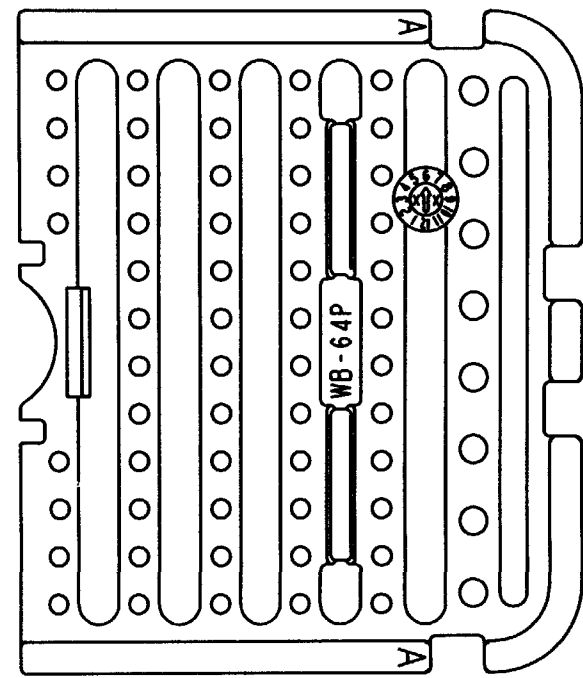
WEDGE LOCK, RCPT.
"A" THRU "D" KEYS
64 CONTACTS
DRB SERIES

ENVELOPE

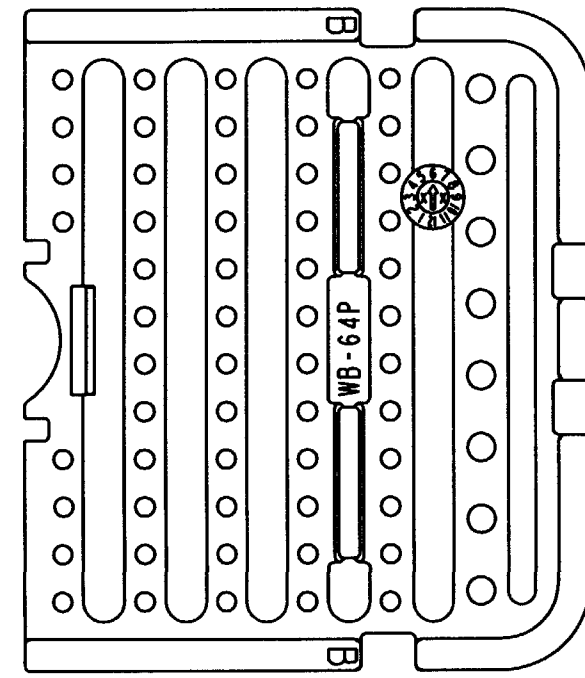
EP	EP202	MATL. CODE
3850 INDUSTRIAL AVE. HEMET, CA 92545		
B	WB-64P*	
DWG SIZE	CODE 11139	SHEET 1 OF 2

REV
A **WB-64P ***

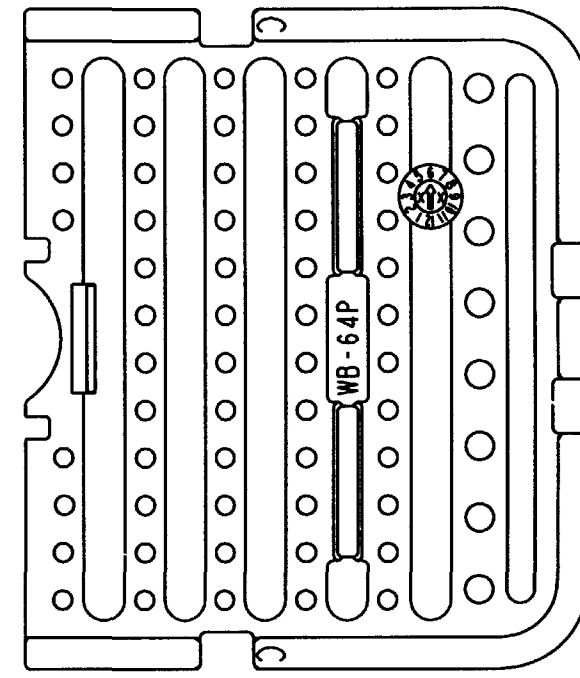
REVISIONS			
SYM	DESCRIPTION	DATE	APPROVED
NC	NEW RELEASE PER E.O. P20345	10/15/09	R.D.R.
A	REVISED PER E.O. P20365	12-15-09	ADR



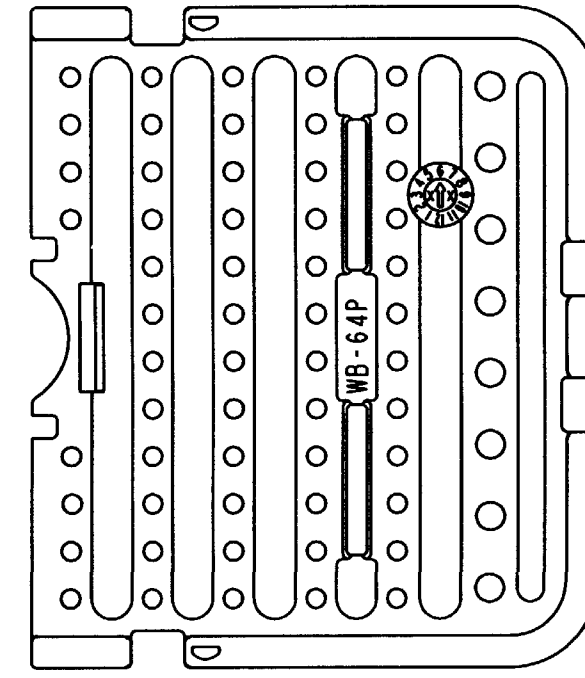
WB-64PA
KEY:A



WB-64PB
KEY:B



WB-64PC
KEY:C




WB-64PD
KEY:D

NOTES: SEE SHEET 1.

SIGNATURE & DATE	
DR	P. CARNAHAN 10/9/09
CHK	D. Meyer 12/15/09
PE	Paula Lano 12/15/09
APPD	R. Reed 12-15-09
SCALE	NONE
WT	

WEDGE LOCK, RCPT.
"A" THRU "D" KEYS
64 CONTACTS
DRB SERIES

ENVELOPE

EP	EP202	MATL CODE	
		3850 INDUSTRIAL AVE. HEMET, CA 92545	
B	WB-64P *		
DWG SIZE	CODE 11139	SHEET 2 OF 2	