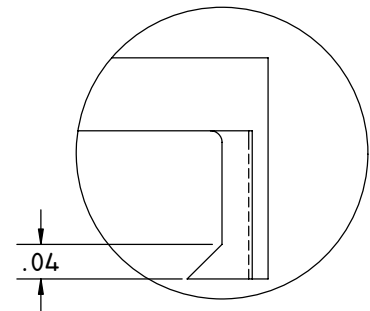
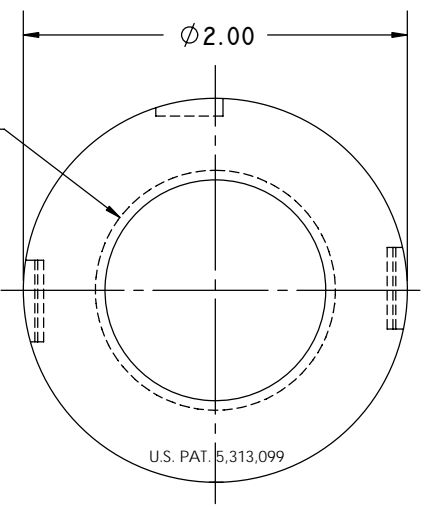
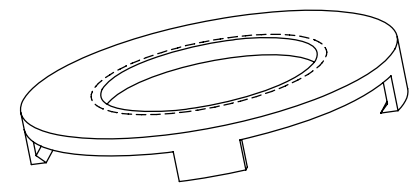
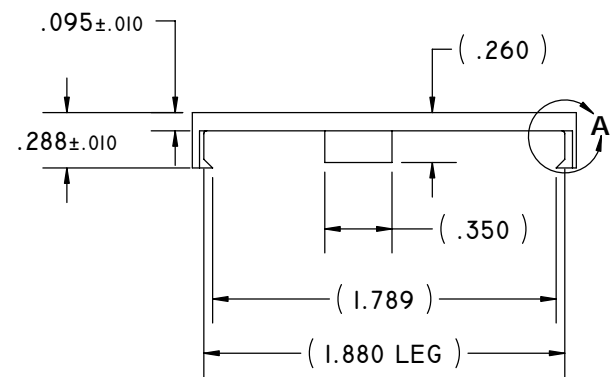


REVISION(S)			
LTR	DESCRIPTION	INIT	APP'D
A	ERN #: 112375	E.T 10/5/07	B.P 10/5/07

1 1/4" -27
USE PRE-PLATE THREAD
GAGE #CCI05



DETAIL A
SCALE=4X



NOTES:

UNLESS OTHERWISE SPECIFIED

1. INTERPRET DRAWING PER ASME Y14.5M - 1994.
2. MATERIAL: ALUMINUM.
FINISH: BLACK ANODIZED
3. RoHS COMPLIANT AND CERTIFIED.

CUSTOMER DRAWING
SPECIFICATIONS ARE SUBJECT TO CHANGE WITHOUT NOTICE

DO NOT SCALE	Tyco Electronics North Attleboro, Massachusetts 02763			CONFIDENTIAL PROPERTY OF TYCO ELECTRONICS. NOT TO BE DISCLOSED TO OTHERS. REPRODUCED OR USED FOR ANY PURPOSES EXCEPT AS AUTHORIZED IN WRITING BY AN AUTHORIZED OFFICIAL OF TYCO ELECTRONICS. MUST BE RETURNED TO TYCO ELECTRONICS ON DEMAND, ON COMPLETION OF ORDERS OR OTHER PURPOSES FOR WHICH LENT.		CLIP (HTS02-2A)		
	UNLESS OTHERWISE SPECIFIED TOLERANCES ARE:		DRAWN BY: E.TAO					DATE 10/5/07
	ANGLES = ±1° FRACTIONS = ± .02 .XX = ± .010 .XXX = ± .005		ENGINEER: B.PETROCELLI		DATE 10/5/07		MATERIAL: SEE TABLE	
			FILENAME		PROJECT		SYSTEM	
						DIMENSIONS ARE IN: INCHES		
						SCALE: 1:1		
						PART NO: 1542350-2		
						SIZE: A		
						DWG. NO. C-1542350		
						SHEET: 1 OF 1		
						REV: A		

