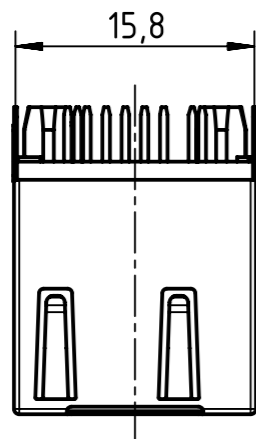
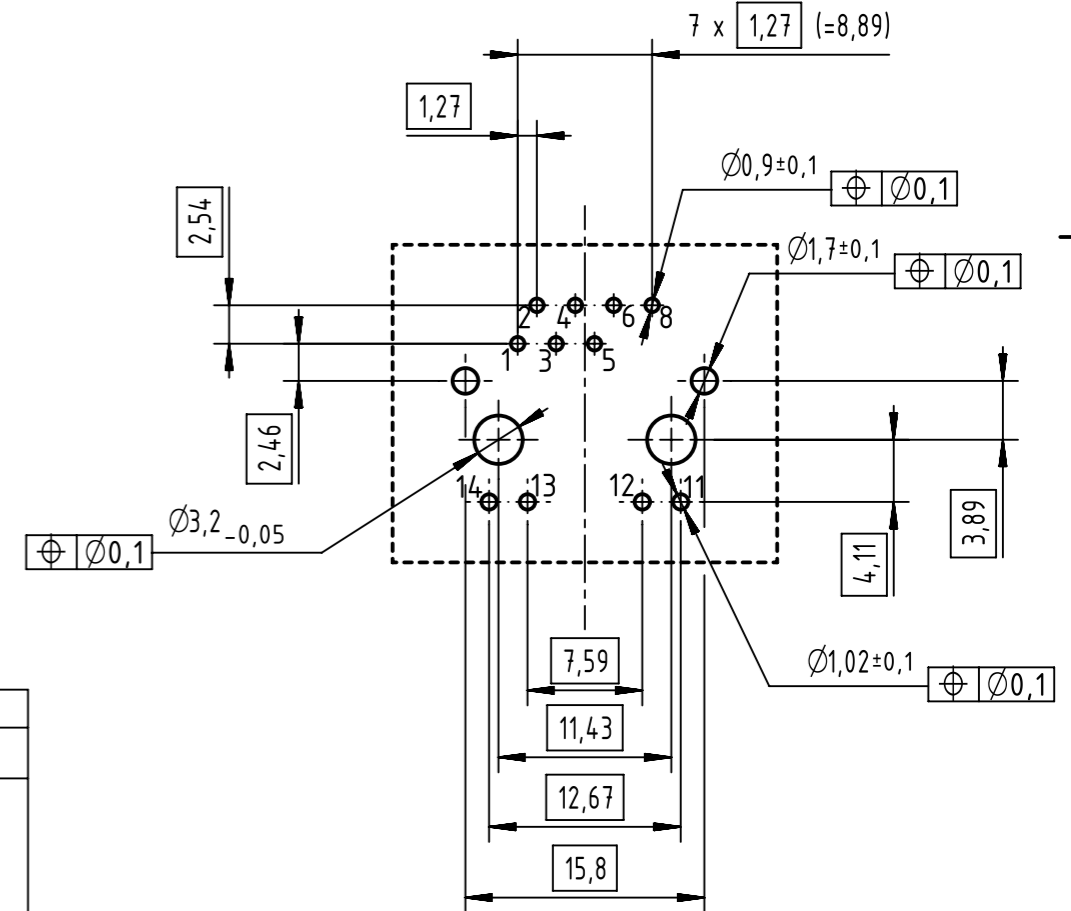
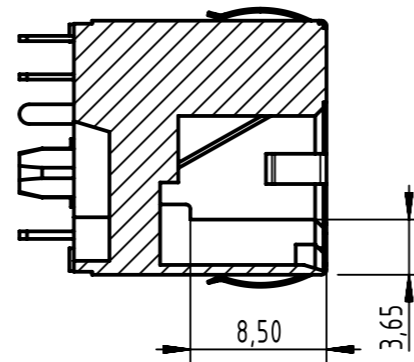


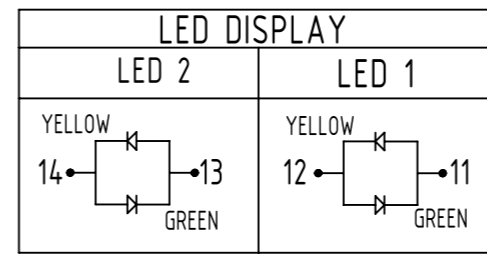
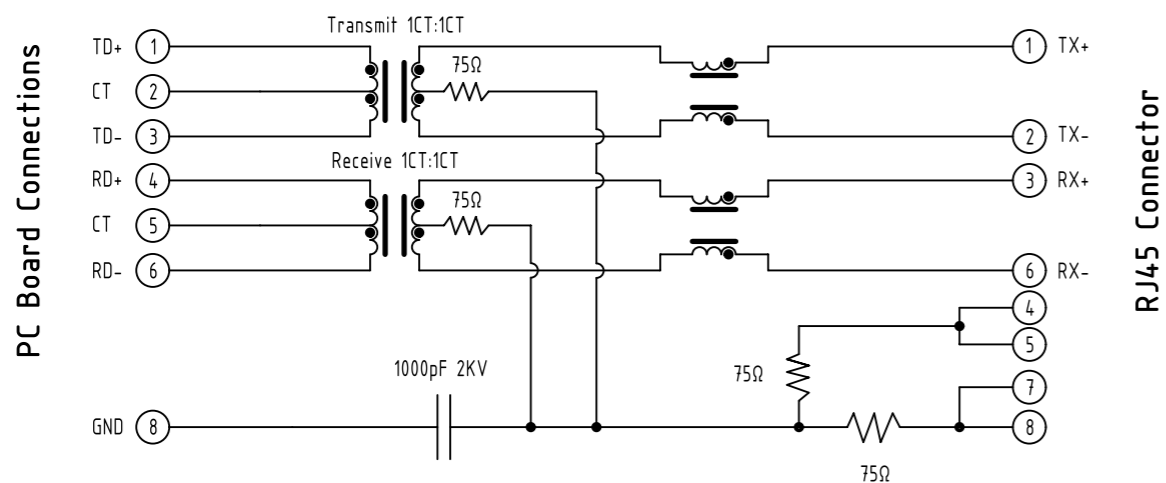
PC-Board layout
view component side
thickness up to 2,4 mm



A-A



SCHEMATIC



	All Dimensions in mm Original Size DIN A3	Scale 2:1	Free size tol.	Ref.
	All rights reserved Department EL PD	Created by FARCASIU	Inspected by POPESCU	Standardisation HOFFMANN
HARTING Electronics GmbH D-32339 Espelkamp	Title RJ45 jack 10/100 Mbit vert. biCo LED			Date 2018-09-26
	Type TB	Number 09455511140	State Final Release	Doc-Key / ECM-Nr. 100804933/UGD/000/C 500000140639
				Rev. C
				Page 1/1

Mouser Electronics

Authorized Distributor

Click to View Pricing, Inventory, Delivery & Lifecycle Information:

[HARTING:](#)

[09455511140](#)