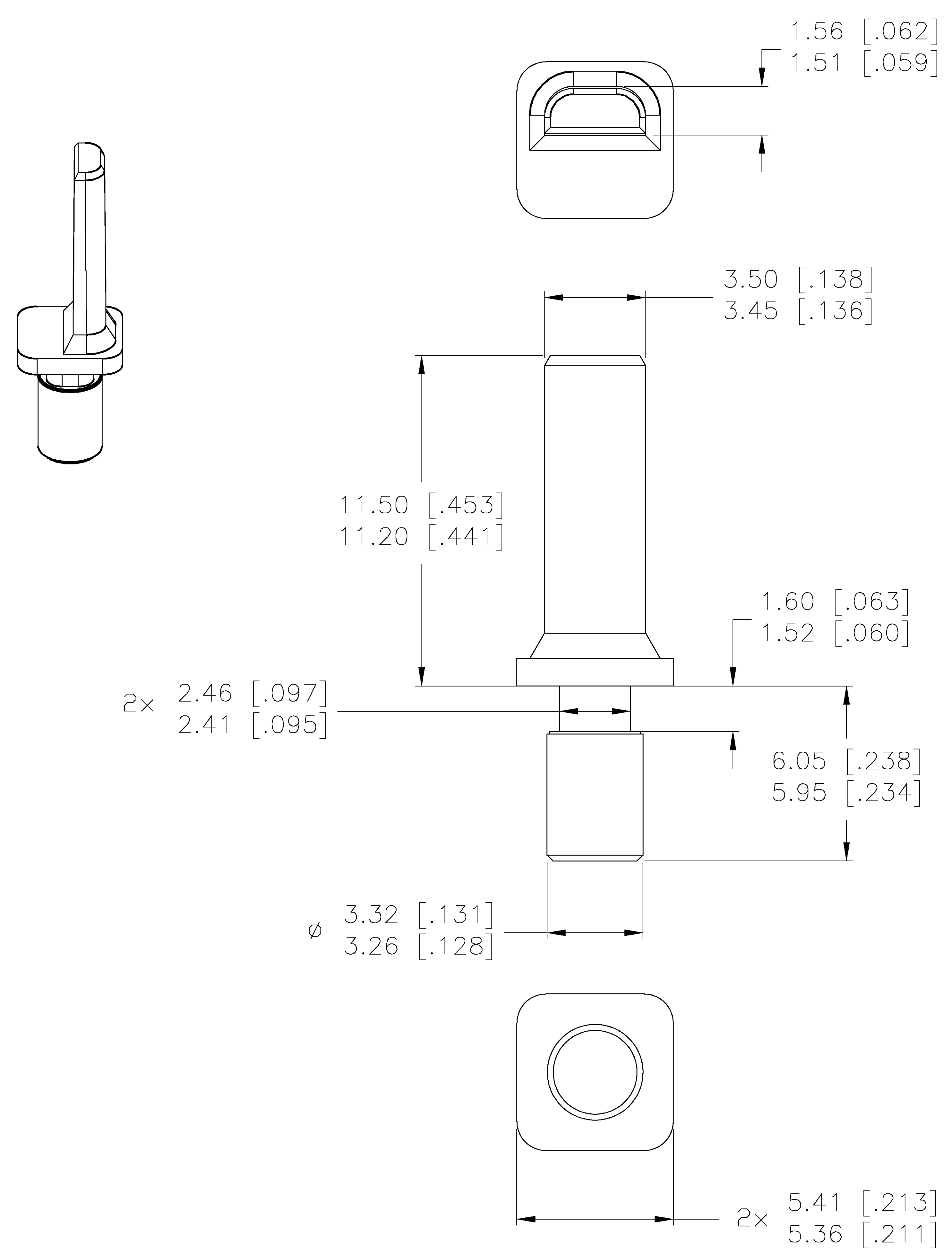


1 PEI THERMOPLASTIC PER ASTM D5205
 2. THIS PRODUCT IS SOLD BY TYCO ELECTRONICS UNDER A LICENSE FROM RADIAL SA.



PRELIMINARY
 NOT RELEASED FOR
 PRODUCTION

Tyco PN 1738428-1

DIMENSIONS: mm [inch]

THIS DRAWING IS A CONTROLLED DOCUMENT.		DATE	12/20/04	REV	0
DRAWING NO. 00779		DESCRIPTION	POLARIZATION KEY, MALE, GPR		
MATERIAL		FINISH	CUSTOMER DRAWING		
SIZE		A0	SCALE	1:1	SHEET 1 OF 1
DRAWING NO.		00779	REV 0		