

Connection terminal block - AKG 4 BU-EX - 0421061

Please be informed that the data shown in this PDF Document is generated from our Online Catalog. Please find the complete data in the user's documentation. Our General Terms of Use for Downloads are valid (<http://phoenixcontact.com/download>)



Connection terminal block, Connection method: Screw connection, Cross section: 0.5 mm² - 6 mm², AWG: 20 - 10, Width: 7 mm, Height: 23.6 mm, Color: blue, Mounting type: Neutral busbar



Key Commercial Data

Packing unit	1 pc
Minimum order quantity	50 pc
GTIN	
Weight per Piece (excluding packing)	5.49 g
Custom tariff number	85369010
Country of origin	Germany

Technical data

General

Color	blue
Nominal cross section	4 mm ²
Nominal current I _N	32 A
Maximum load current	41 A (with 6 mm ² conductor cross section)
Nominal voltage U _N	300 V
Ergebnis der Prüfung der mechanischen Festigkeit von Klemmstellen (5maliger Leiteranschluss)	Test passed
Result of bending test	Test passed
Tensile test result	Test passed
Ergebnis Festsitz auf der Befestigungsauflage	Test passed
Ergebnis Spannungsfallprüfung	Test passed

Connection terminal block - AKG 4 BU-EX - 0421061

Technical data

General

Ergebnis Erwärmungsprüfung	Test passed
Short circuit stability result	Test passed
Result of thermal test	Test passed
Relativer Isolierstoff Temperatur Index (Elec., UL 746 B)	125 °C
Temperatur Index Isolierstoff (DIN EN 60216-1 (VDE 0304-21))	125 °C

Dimensions

Length	23.7 mm
Width	7 mm

Connection data

Conductor cross section solid min.	0.5 mm ²
Conductor cross section solid max.	6 mm ²
Conductor cross section flexible min.	0.5 mm ²
Conductor cross section flexible max.	4 mm ²
Conductor cross section AWG min.	20
Conductor cross section AWG max.	10
Conductor cross section flexible, with ferrule without plastic sleeve min.	0.5 mm ²
Conductor cross section flexible, with ferrule without plastic sleeve max.	6 mm ²
Conductor cross section flexible, with ferrule with plastic sleeve min.	0.5 mm ²
Conductor cross section flexible, with ferrule with plastic sleeve max.	6 mm ²
2 conductors with same cross section, solid min.	0.5 mm ²
2 conductors with same cross section, solid max.	2.5 mm ²
2 conductors with same cross section, stranded min.	0.5 mm ²
2 conductors with same cross section, stranded max.	2.5 mm ²
2 conductors with same cross section, stranded, ferrules without plastic sleeve, min.	0.5 mm ²
2 conductors with same cross section, stranded, ferrules without plastic sleeve, max.	2.5 mm ²
2 conductors with same cross section, stranded, TWIN ferrules with plastic sleeve, min.	0.5 mm ²
2 conductors with same cross section, stranded, TWIN ferrules with plastic sleeve, max.	2.5 mm ²
Connection method	Screw connection
Stripping length	16 mm
Screw thread	M4
Tightening torque, min	1.5 Nm
Tightening torque max	1.6 Nm

Connection terminal block - AKG 4 BU-EX - 0421061

Classifications

eCl@ss

eCl@ss 4.0	27141131
eCl@ss 4.1	27141131
eCl@ss 5.0	27141131
eCl@ss 5.1	27141131
eCl@ss 6.0	27141120
eCl@ss 7.0	27141120
eCl@ss 8.0	27141146
eCl@ss 9.0	27141120

ETIM

ETIM 2.0	EC000897
ETIM 3.0	EC000897
ETIM 4.0	EC000897
ETIM 5.0	EC000001

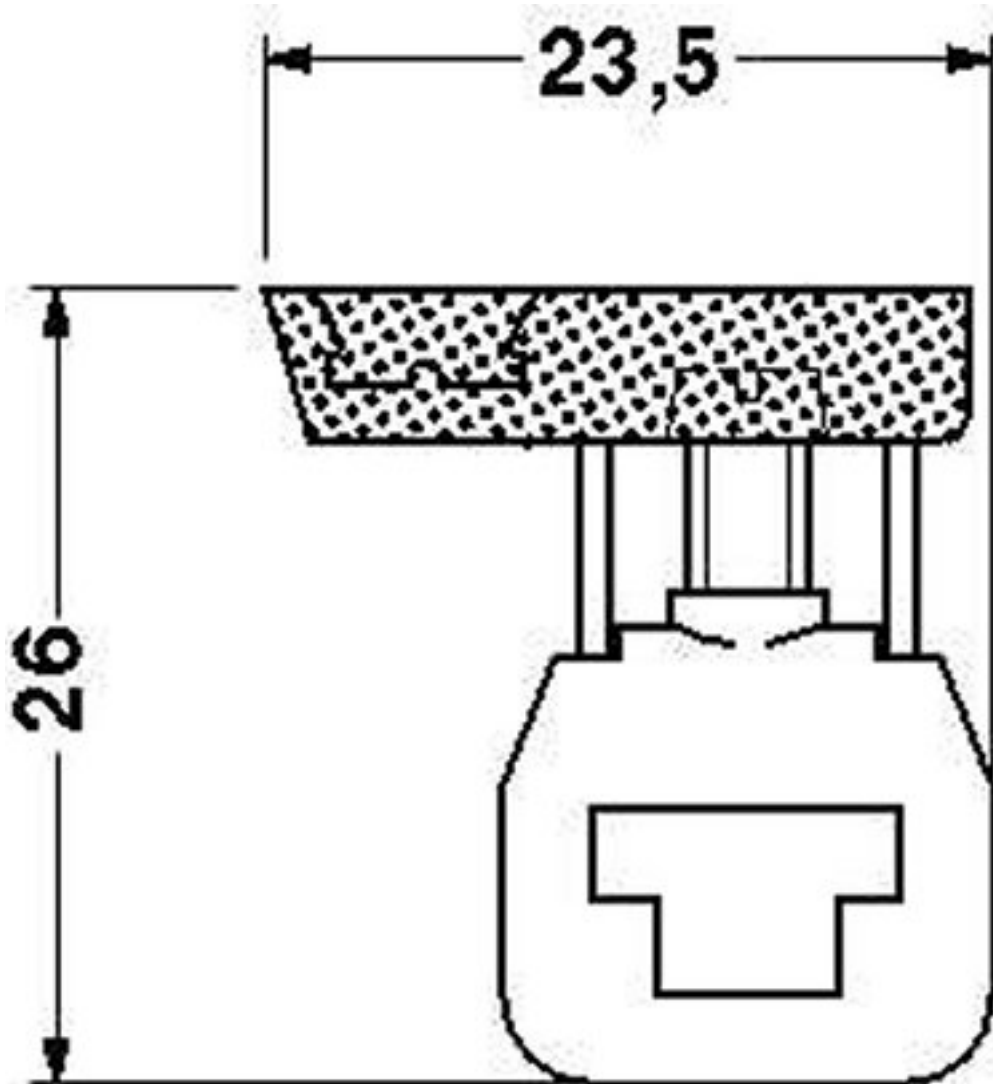
UNSPSC

UNSPSC 6.01	30211811
UNSPSC 7.0901	39121410
UNSPSC 11	39121410
UNSPSC 12.01	39121410
UNSPSC 13.2	39121410

Drawings

Connection terminal block - AKG 4 BU-EX - 0421061

Dimensional drawing



Connection terminal block - AKG 4 BU-EX - 0421061

Dimensional drawing

