

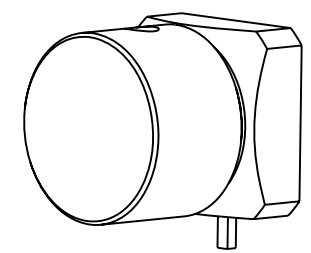
NOTES:

1. MATERIALS AND FINISHES:  
 BODY & CONTACT - BRASS, GOLD PLATING  
 INSULATOR - LCP E130i  
 CAP - PTFE, NATURAL
2. ELECTRICAL:  
 A. IMPEDANCE: 50 OHM  
 B. FREQUENCY RANGE: DC - 18 GHz  
 C. VSWR (RETURN LOSS): 1.10 MAX. (-26.4 dB MIN.) @ DC - 6 GHz  
                                   1.15 MAX. (-23.1 dB MIN.) @ 6 - 10 GHz  
                                   1.30 MAX. (-17.7 dB MIN.) @ 10 - 18 GHz  
 CONNECTOR ONLY, PERFORMANCE WILL VARY  
 BASED ON BOARD LAYOUT  
 D. DIELECTRIC WITHSTANDING VOLTAGE: 335 VRMS, MIN.
3. MECHANICAL:  
 A. DURABILITY: 1000 CYCLES MIN.  
 B. TEMPERATURE RANGE: -65°C TO +165°C  
 C. ENGAGEMENT FORCE: 2 LBS (9 N) MAX.  
 D. DISENGAGEMENT FORCE: 0.5 LBS (2.2 N) MIN.  
 E. INNER CONTACT RETENTION FORCE: 1.5 LBS (7 N) MIN.
4. PACKAGING:  
 A. QUANTITY: TAPE & REEL PACKAGING, 800 PCS/REEL  
 B. MARKING: REEL TO BE MARKED:  
 "AMPHENOL RF, SMP-MSSB-PCSI5T AND DATE CODE"

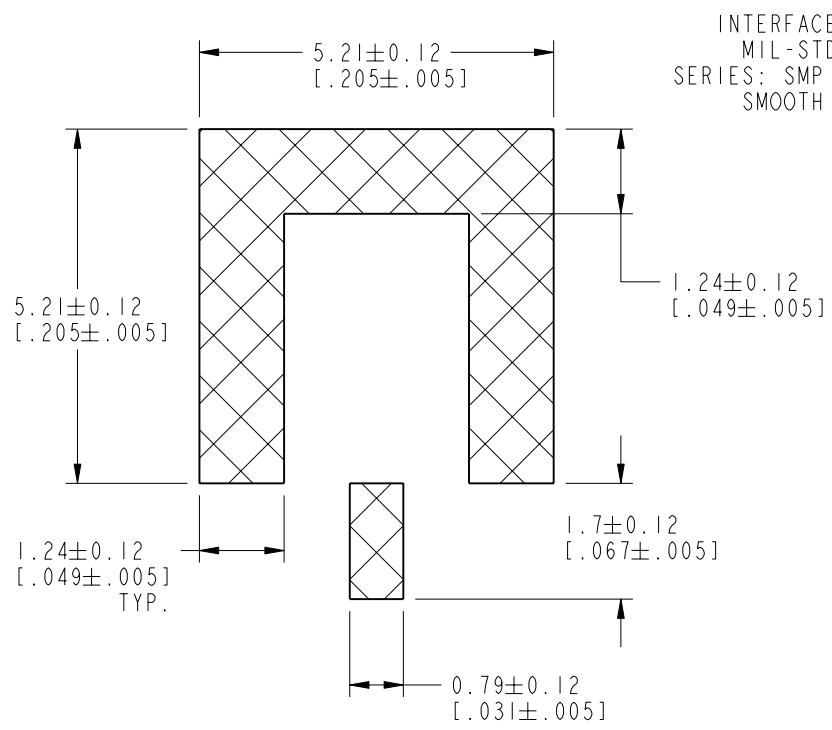
THIRD ANGLE PROJ.

REVISIONS

REV	DESCRIPTION	DATE	ECO	APPR
A	RELEASE TO MFG.	07-Jun-18	08221	BMG

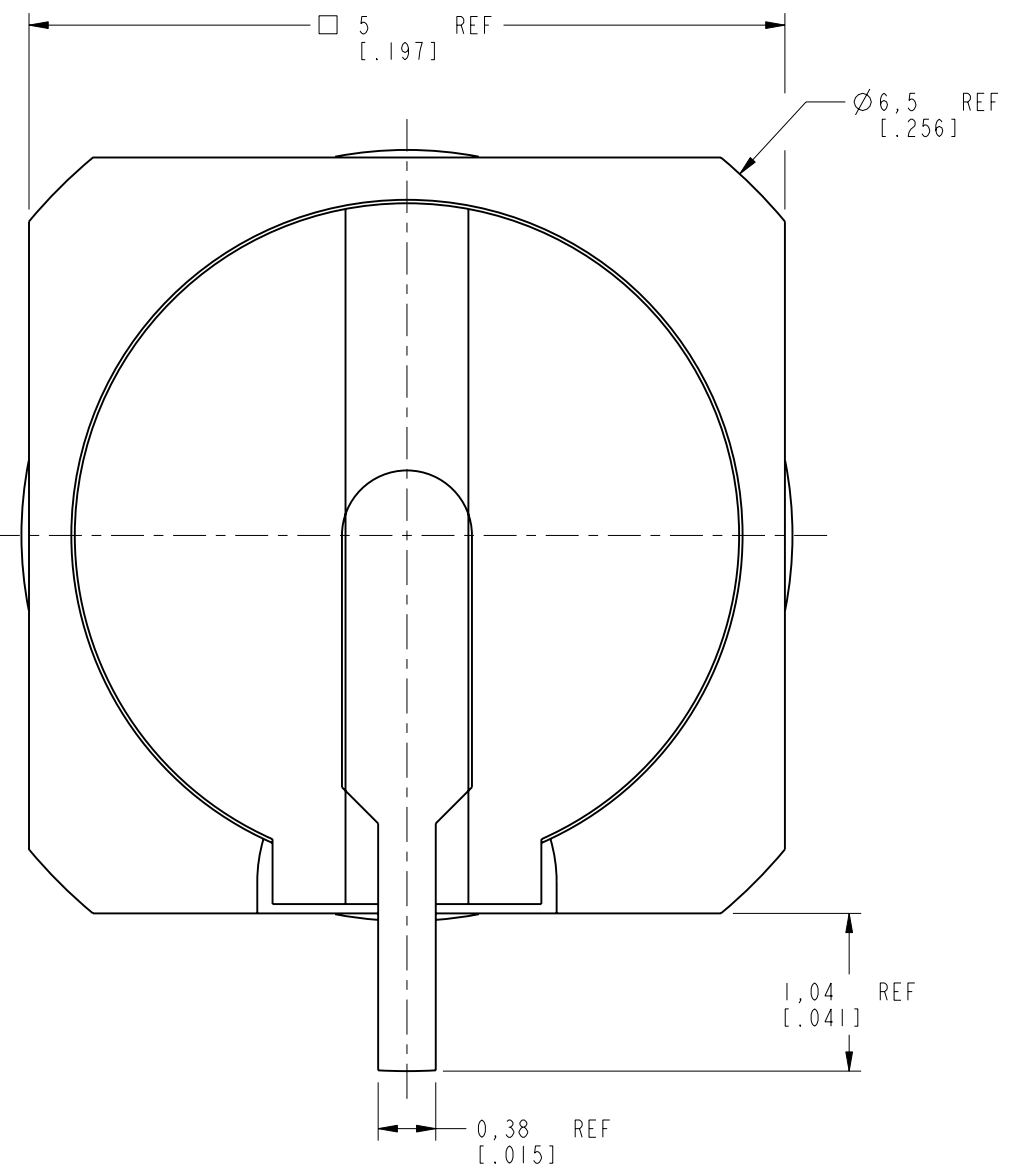
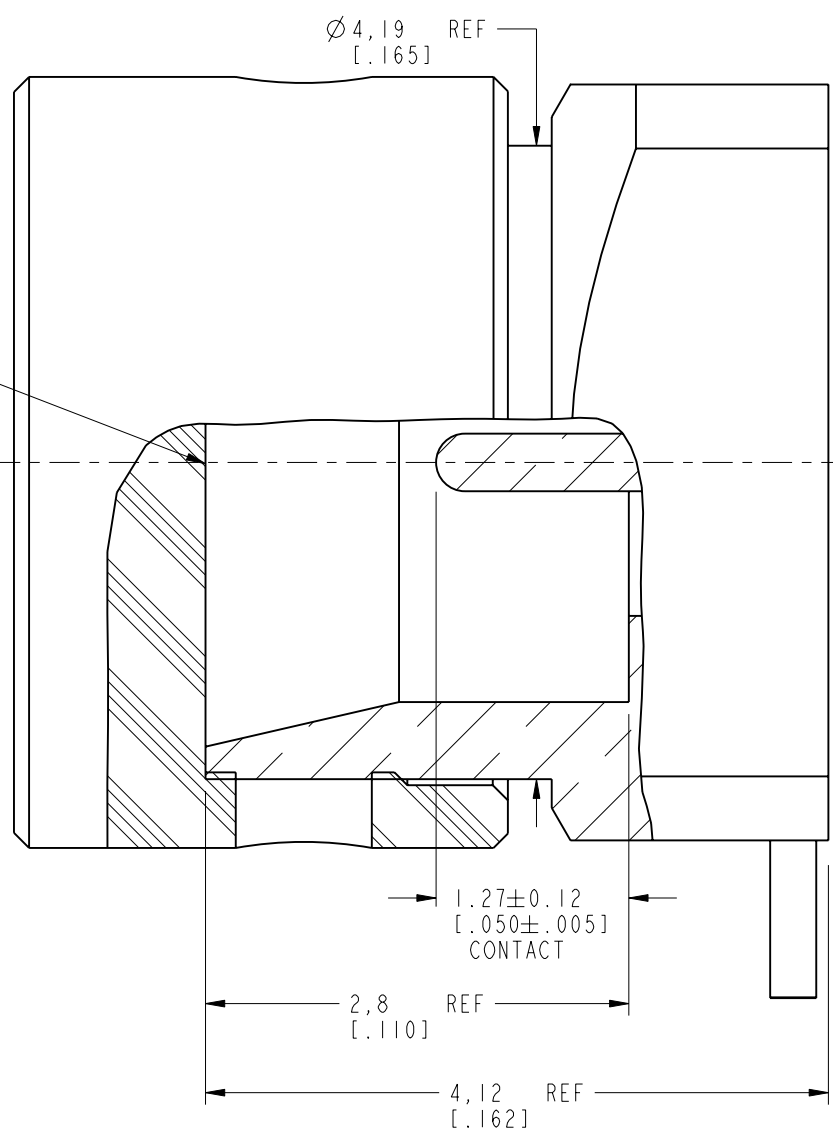


SCALE 5.000



**RECOMMENDED PCB LAYOUT DIMENSIONS**

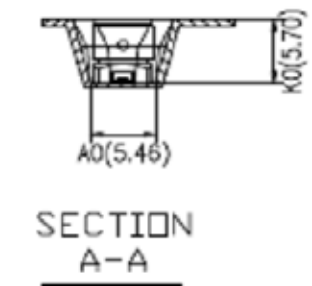
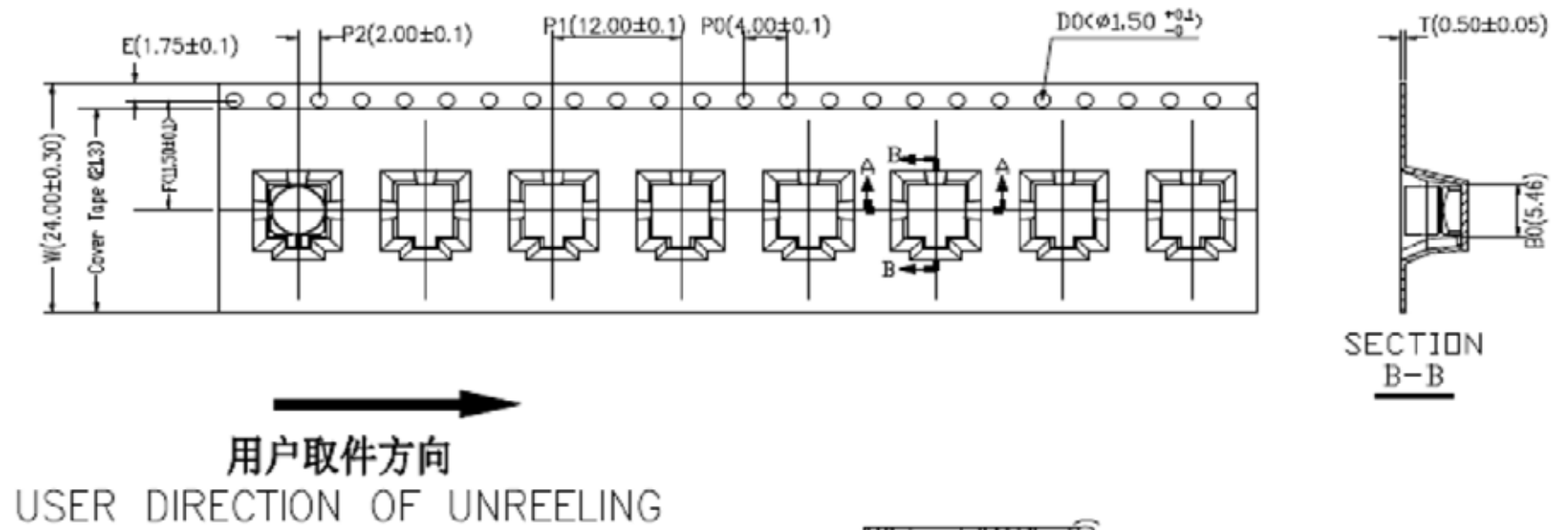
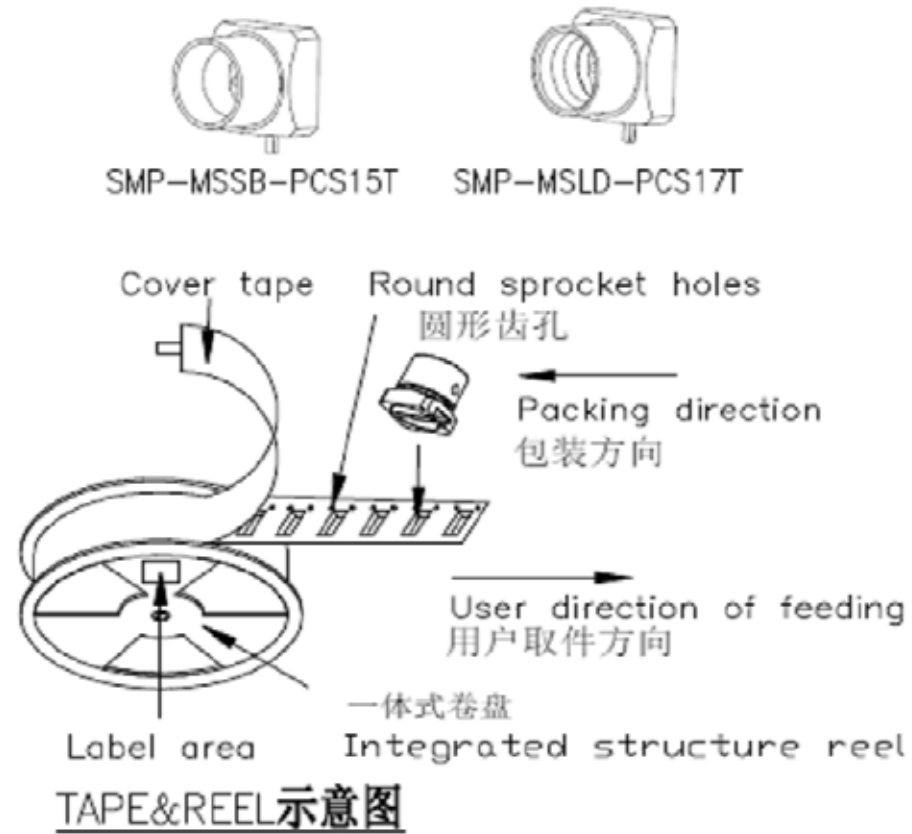
INTERFACE PER MIL-STD-348 SERIES: SMP JACK SMOOTH BORE



**CUSTOMER OUTLINE DRAWING**  
 ALL OTHER SHEETS ARE FOR INTERNAL USE ONLY

UNLESS OTHERWISE SPECIFIED, DIMENSIONS ARE IN METRIC AND TOLERANCES ARE: <0.5mm ±0.05mm    0.5 - 6mm ±0.1mm    6 - 30mm ±0.2mm    30 - 120mm ±0.3mm    ANGLES ±1°	MATERIAL	DRAWN STAR	DATE 13-Jun-18	TITLE SMP STR JACK PCB RECEPTACLE SMOOTH BORE SURFACE MOUNT SCALE: 20.0:1.0 SHEET 2 OF 3	Amphenol RF www.amphenolrf.com
	REFERENCE EAR # AND SMP-MSSB-PCS-T	ENGINEER SUNDE	DATE 13-Jun-18		
NOTICE - These drawings, specifications, or other data (1) are, and remain the property of Amphenol corp. (2) must be returned upon request; and (3) are confidential and not to be disclosed to any person other than those to whom they are given by Amphenol Corp. the furnishing of these drawings, specifications, or other data by Amphenol Corp., or to any other person to anyone for any purpose is not to be regarded by implication or otherwise in any manner licensing, granting rights to permitting such holder or any other person to manufacture, use or sell any product, process or design, patented or otherwise, that may in any way be related to or disclosed by said drawings, specifications, or other data.	CONFIGURATION LEVEL: In Work	APPROVED S. HSIEH	DATE 13-Jun-18	DWG SIZE B	REV A
	FINISH				
				DRAWING NO. SMP-MSSB-PCSI5T	
				ITEM NO. SMP-MSSB-PCSI5T	
				PART NO. SMP-MSSB-PCSI5T	

REV	DESCRIPTION	DATE	ECO	APPR
A	RELEASE TO MFG.	07-Jun-18	08221	BMG



NOTES:

1. 10 sprocket holes pitch cumulative tolerance ±0.20 mm.
2. Carrier camber not to exceed 1 mm in 250 mm.
3. A0 and B0 measured on a plane 0.3 mm above the bottom of the pocket.
4. K0 measured from a plane on the inside bottom of the pocket to the top surface of the carrier.
5. All dimensions meet EIA-481-D requirements.
6. Material: Black PS (RoHS Compliant)
7. Thickness: 0.50±0.05 mm.
8. Packing length per 13" reel: 10.56 Meters.
9. Component loader per 13" reel: 800 pcs.

注:未注公差為:±0.10

NOTE: ALL TOLERANCES ARE: ±0.10, EXCEPT WHERE NOTED

ITEM	W	A <sub>0</sub>	A <sub>1</sub>	B <sub>0</sub>	B <sub>1</sub>	K <sub>0</sub>	K <sub>1</sub>	P <sub>1</sub>	F	E	D <sub>0</sub>	P <sub>0</sub>	P <sub>2</sub>	T
DIM	24.00±0.30	5.46±0.10	/	5.46±0.10	/	5.70±0.10	/	12.00±0.10	11.50±0.10	1.75±0.10	1.50 <sup>+0.10</sup> / <sub>0.00</sub>	4.00±0.10	2.00±0.10	0.50±0.05

UNLESS OTHERWISE SPECIFIED, DIMENSIONS ARE IN METRIC AND TOLERANCES ARE:  
 < 0.5mm    0.5 - 6mm    6 - 30mm    30 - 120mm    ANGLES  
 ± 0.05mm    ±0.1mm    ±0.2mm    ± 0.3mm    ±1°

NOTICE - These drawings, specifications, or other data (1) are, and remain the property of Amphenol corp. (2) must be returned upon request; and (3) are confidential and not to be disclosed to any person other than those to whom they are given by Amphenol Corp. the furnishing of these drawings, specifications, or other data by Amphenol Corp., or to any other person to anyone for any purpose is not to be regarded by implication or otherwise in any manner licensing, granting rights to permitting such holder or any other person to manufacture, use or sell any product, process or design, patented or otherwise, that may in any way be related to or disclosed by said drawings, specifications, or other data.

MATERIAL	DRAWN STAR	DATE 13-Jun-18	TITLE SMP STR JACK PCB RECEPTACLE SMOOTH BORE SURFACE MOUNT SCALE: 21.0:1.0 SHEET 3 OF 3	Amphenol RF www.amphenolrf.com
REFERENCE EAR # AND SMP-MSSB-PCS-T	ENGINEER SUNDE	DATE 13-Jun-18		
CONFIGURATION LEVEL: In Work	APPROVED S. HSIEH	DATE 13-Jun-18		
FINISH	CAD FILE	DWG SIZE B	REV A	DRAWING NO. SMP-MSSB-PCS15T
				ITEM NO. SMP-MSSB-PCS15T
				PART NO. SMP-MSSB-PCS15T