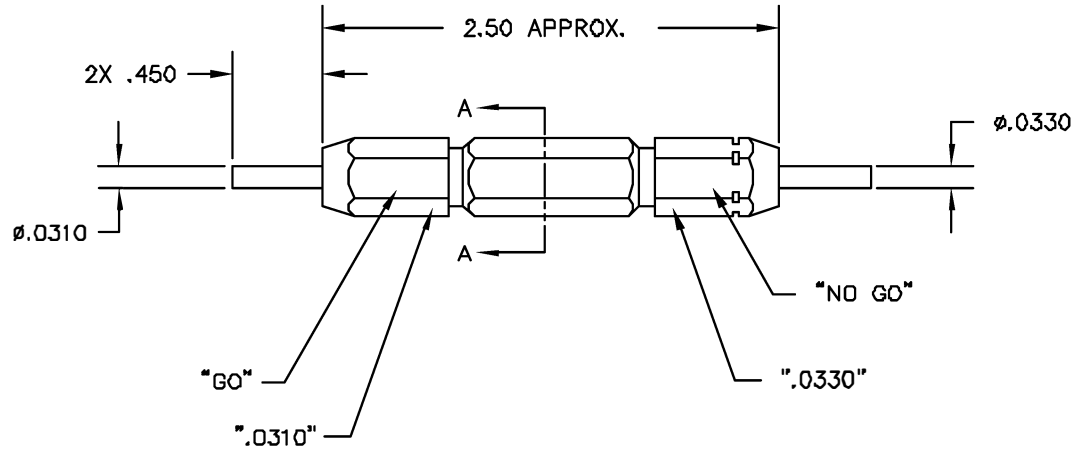
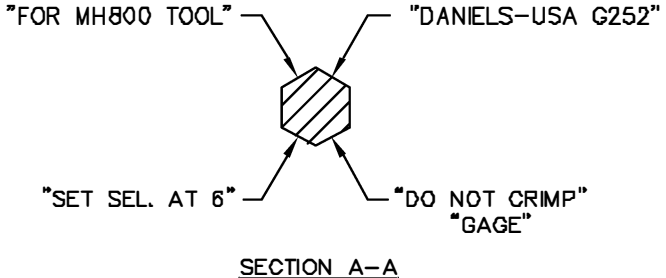



REVISIONS				
REV. SYN.	E.C.O. NUMBER	DESCRIPTION	BY DATE	APP'D DATE
1		ORIGINAL RELEASE	JWJ 1/20/00	RRR 1/20/00



**UNCONTROLLED DOCUMENT
WILL NOT BE UPDATED**

RESTRICTED & CONFIDENTIAL CONFIDENTIAL PROPERTY OF DANIELS MANUFACTURING CORP. NOT TO BE DISCLOSED TO OTHERS, REPRODUCED OR USED FOR ANY OTHER PURPOSE EXCEPT AS AUTHORIZED IN WRITING BY DANIELS MANUFACTURING. MUST BE RETURNED TO DANIELS MANUFACTURING CORP. ON COMPLETION OF ORDER OR OTHER PURPOSE FOR WHICH LENT.	MATERIAL	ITEM	PART NO.	QTY.	DESCRIPTION/REMARKS
	HEAT TREAT	DRN J. JOYCE	DATE 1/20/00		 DANIELS MANUFACTURING CORP. ORLANDO, FLORIDA GAGE 11851
	FINISH	CHK'D RRR	DATE 1/20/00		
	DO NOT SCALE DRAWING		APP'D	DATE	TITLE GO/NO-GO GAGE ENVELOPE DRAWING
		APP'D	DATE	WHERE USED	SIZE B SCALE NTS CND P/N G252-ENV SHEET 1 OF 1
				POSTING	P/N G252-ENV REV. 1