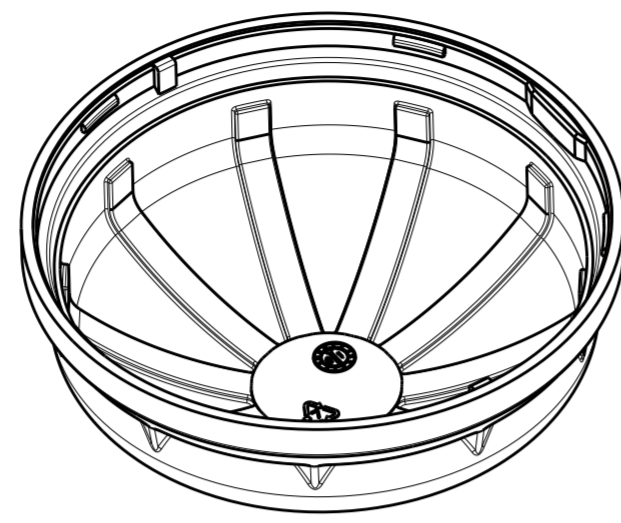
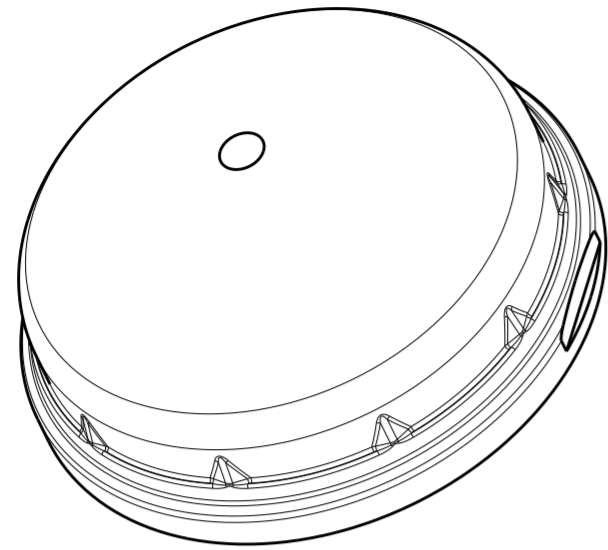
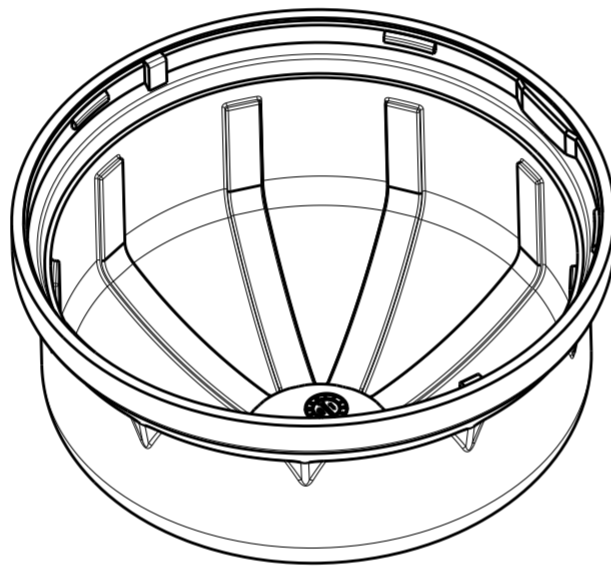
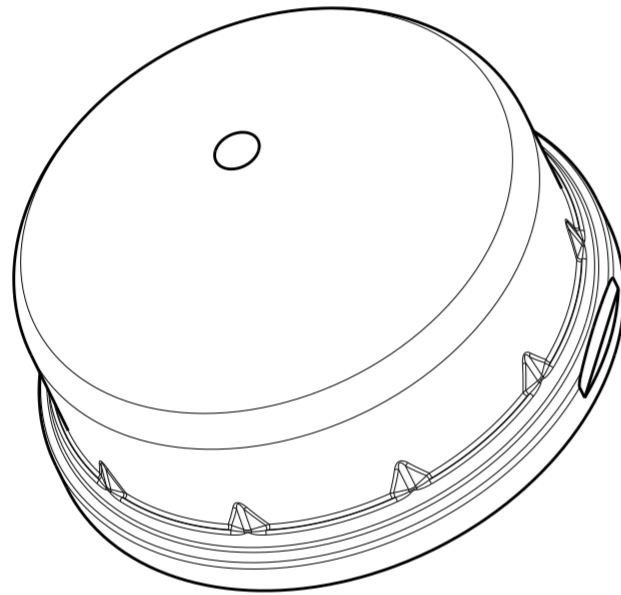


THIS DRAWING IS UNPUBLISHED. RELEASED FOR PUBLICATION
 © COPYRIGHT copyright.d8te- ALL RIGHTS RESERVED.

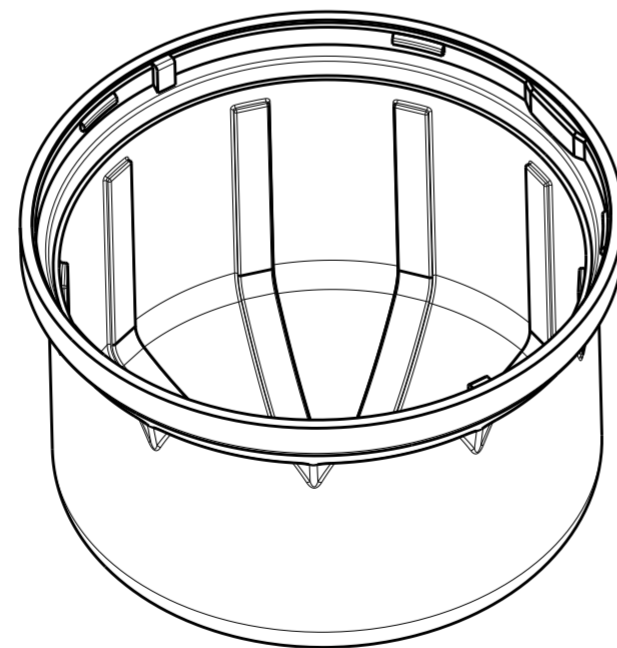
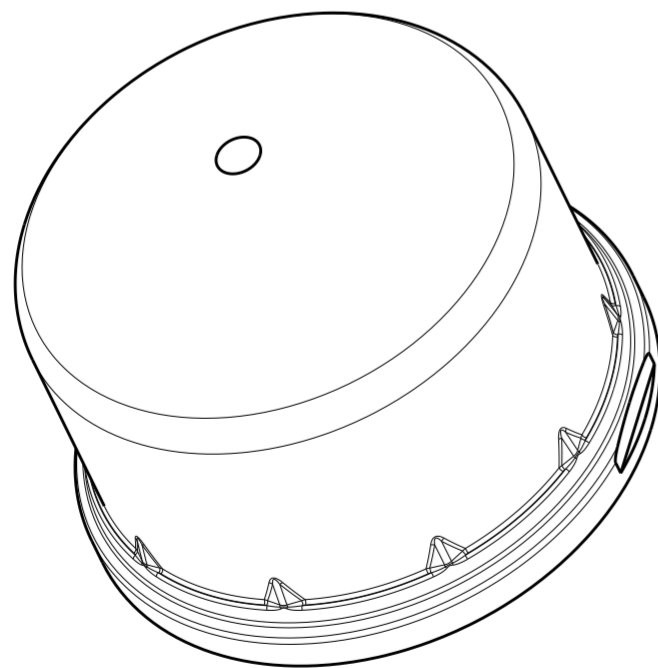
REVISIONS				
P	LTR	DESCRIPTION	DATE	APVD
3		UPDATED	04SEP2018	MM MM
A		REVISED PER ECR-18-017862	22NOV2018	SR DD



2328823-1 AND 1-2328823-1
SHOWN



2328823-2 AND 1-2328823-2
SHOWN



2328823-3 AND 1-2328823-3
SHOWN

NOTES:

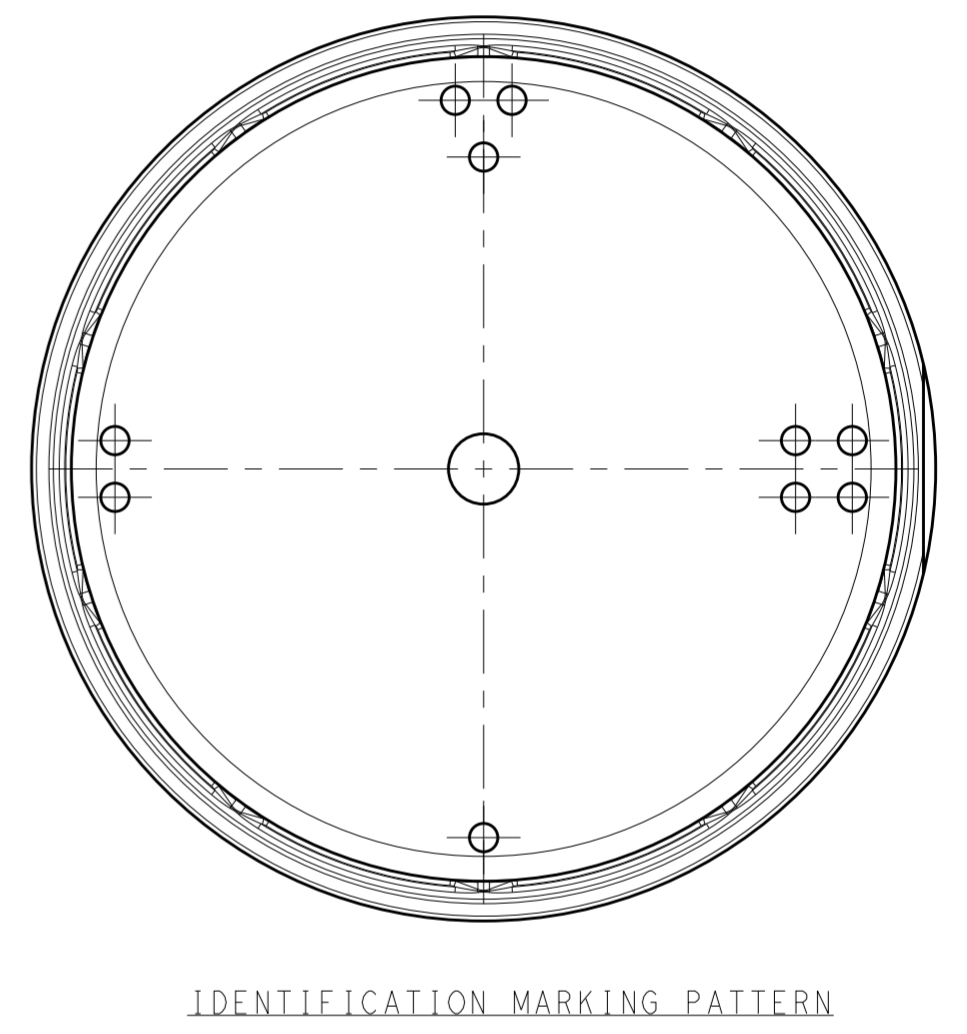
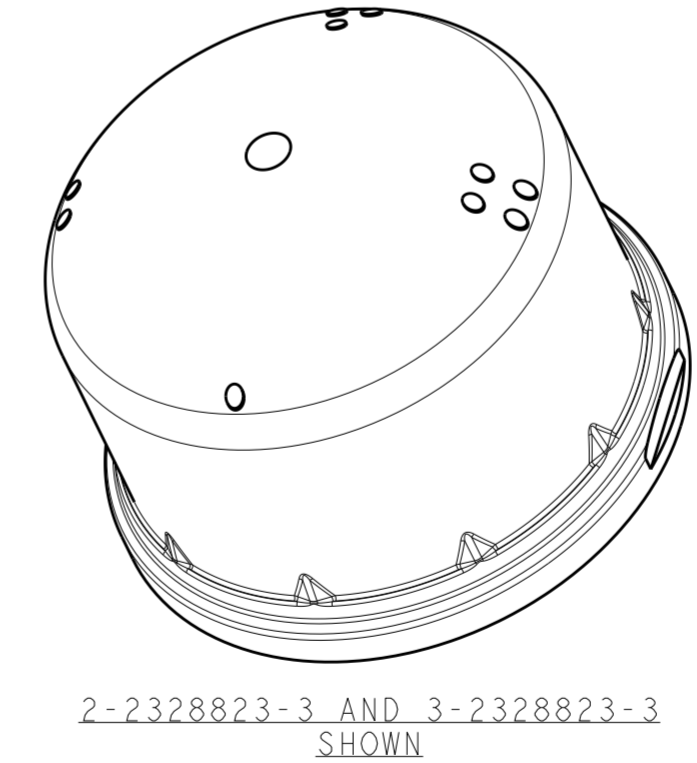
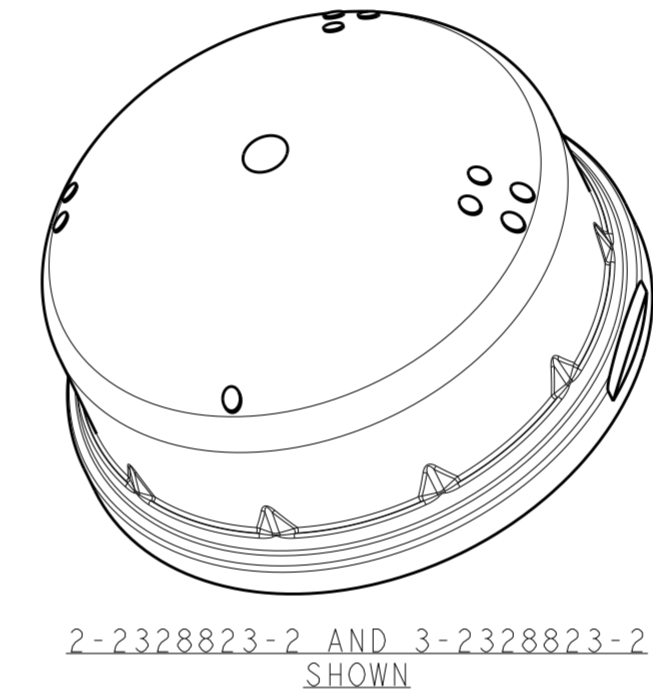
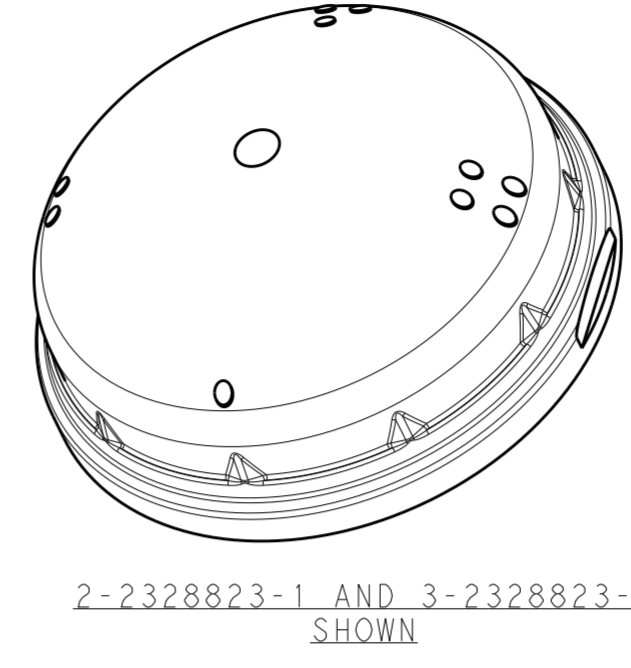
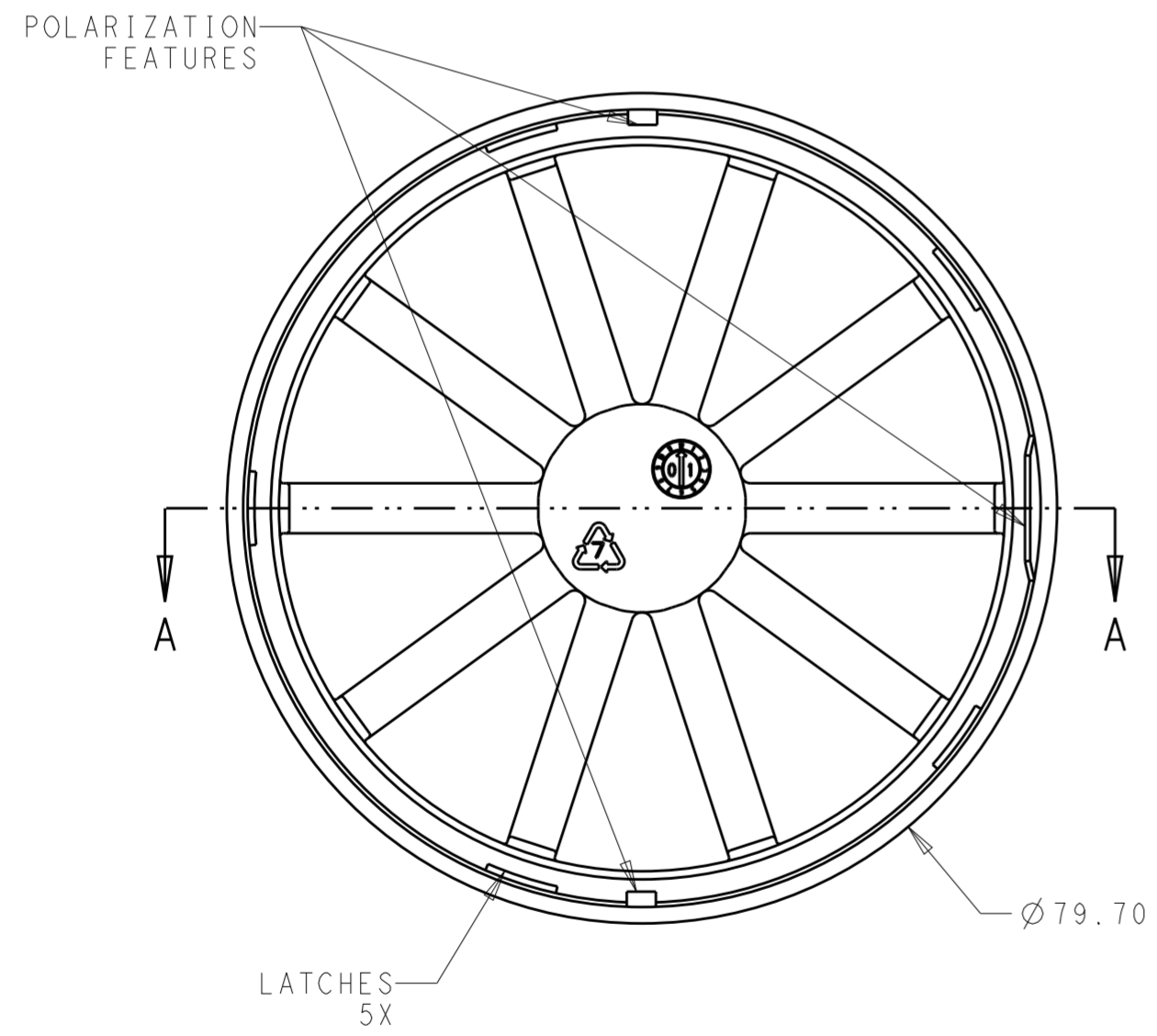
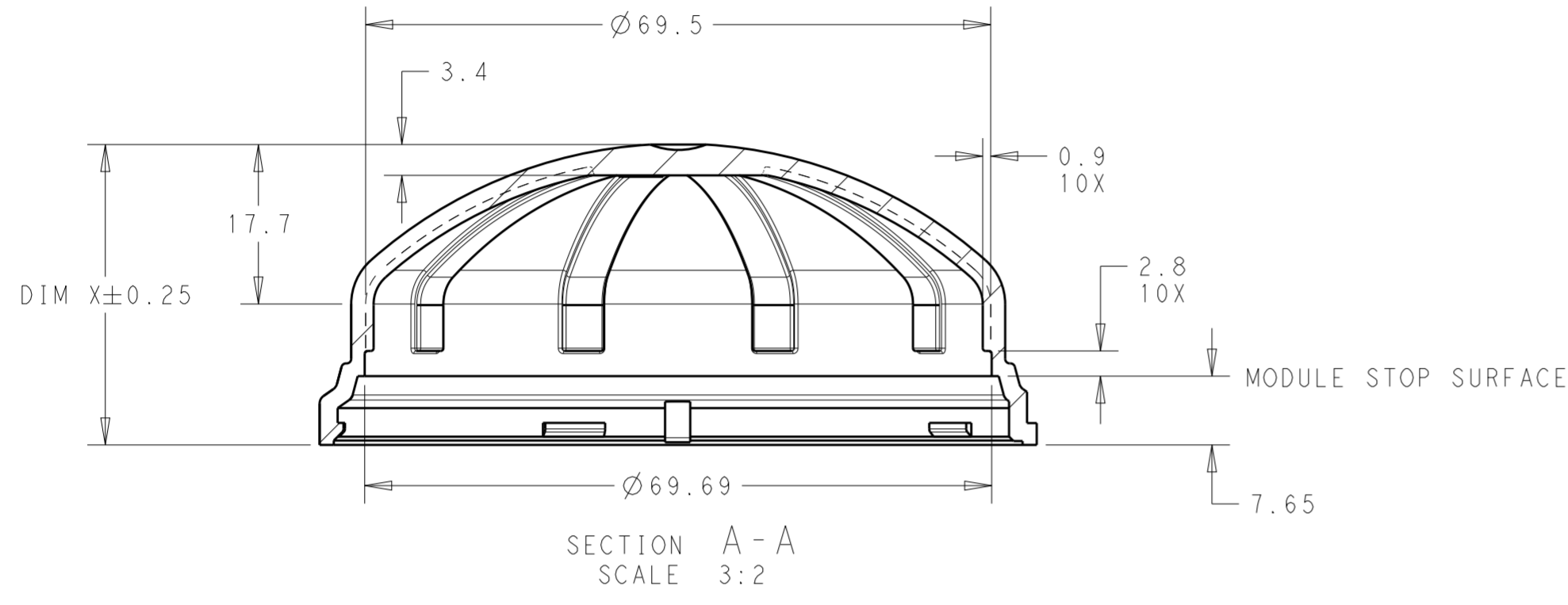
- 1. MATERIAL: -POLYCARBONATE COLOR: SEE TABLE
- 2. MUST COMPLY WITH DIRECTIVE 2002/95/EC (ROHS)
- 3. THIS PRODUCT HAS NOT COMPLETED VALIDATION TESTING
- 4. MODULE BASE TE P/N: 2213831-1

IDENTIFICATION MARKINGS	APPROX. LIGHT TRANSMISSION	COLOR	DIM X	PART NO.
YES	78	TRANSPARENT CLEAR	58.43	3-2328823-3
YES	78	TRANSPARENT CLEAR	43.43	3-2328823-2
YES	78	TRANSPARENT CLEAR	33.43	3-2328823-1
YES	24	TRANSPARENT SMOKE	58.43	2-2328823-3
YES	24	TRANSPARENT SMOKE	43.43	2-2328823-2
YES	24	TRANSPARENT SMOKE	33.43	2-2328823-1
NO	78	TRANSPARENT CLEAR	58.43	1-2328823-3
NO	78	TRANSPARENT CLEAR	43.43	1-2328823-2
NO	78	TRANSPARENT CLEAR	33.43	1-2328823-1
NO	24	TRANSPARENT SMOKE	58.43	2328823-3
NO	24	TRANSPARENT SMOKE	43.43	2328823-2
NO	24	TRANSPARENT SMOKE	33.43	2328823-1

THIS DRAWING IS A CONTROLLED DOCUMENT.		DWN C. DAILY 10 JAN 2018	TE Connectivity	
		CHK M. STOLLER 10 JAN 2018		
DIMENSIONS: mm		APVD -	NAME DOME, LUMAWISE ENDURANCE S, 80mm	
TOLERANCES UNLESS OTHERWISE SPECIFIED:		PRODUCT SPEC 108-133073	SIZE A200779	
0 PLC ±		APPLICATION SPEC 114-133074	DRAWING NO C-2328823	
1 PLC ±0.2		WEIGHT -	RESTRICTED TO -	
2 PLC ±0.10		CUSTOMER DRAWING	SCALE 1:1 SHEET 1 OF 2 REV A	
3 PLC ±				
4 PLC ±				
ANGLES ±1°				
FINISH -				
MATERIAL SEE TABLE				

THIS DRAWING IS UNPUBLISHED. RELEASED FOR PUBLICATION
 © COPYRIGHT copyright.d8te- ALL RIGHTS RESERVED.

REVISIONS				
P	LTR	DESCRIPTION	DATE	APVD
-	-	SEE SHEET 1	-	-



THIS DRAWING IS A CONTROLLED DOCUMENT.		DWN C. DAILY 10 JAN 2018	STE TE Connectivity	
		CHK M. STOLLER 10 JAN 2018		
DIMENSIONS: mm		TOLERANCES UNLESS OTHERWISE SPECIFIED:		NAME DOME, LUMAWISE ENDURANCE S, 80mm
0 PLC ±		1 PLC ±0.2		PRODUCT SPEC 108-133073
1 PLC ±0.10		2 PLC ±		APPLICATION SPEC 114-133074
2 PLC ±		3 PLC ±		SIZE A200779
3 PLC ±		4 PLC ±		CAGE CODE C-2328823
4 PLC ±		ANGLES ±1°		DRAWING NO -
FINISH		MATERIAL SEE TABLE		RESTRICTED TO -
		WEIGHT -		SCALE 1:1
		CUSTOMER DRAWING		SHEET 2 OF 2
				REV A