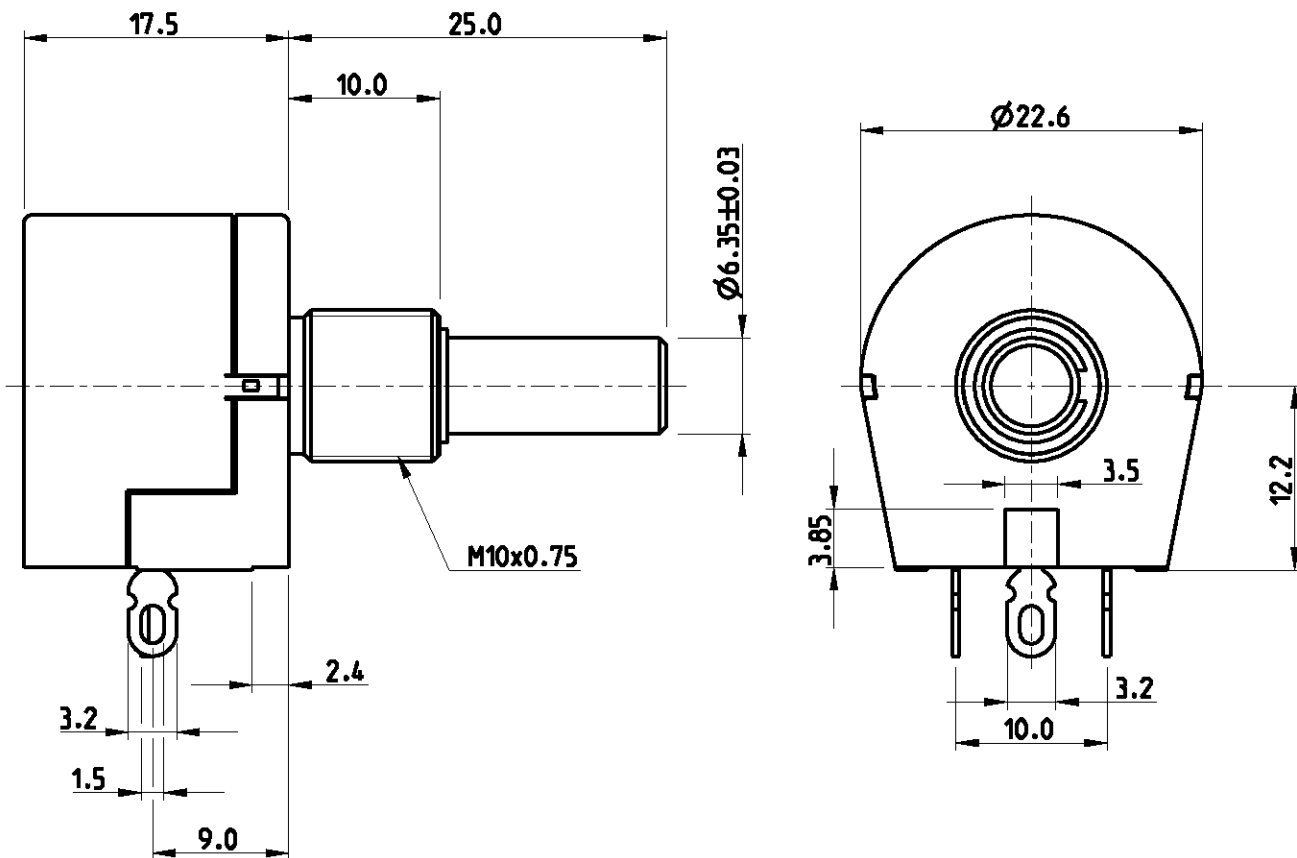
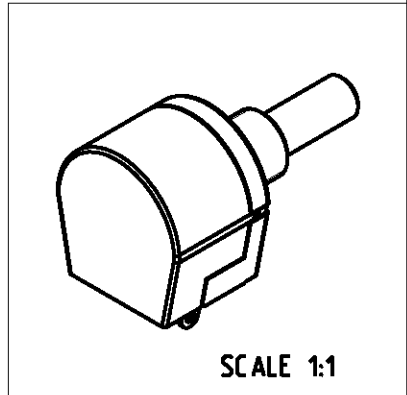


| | | | | | | | |
|-----|------|-----------|-----|---------------------------|---------|-----|------|
| LOC | DIST | REVISIONS | | | | | |
| E | B | P | LTR | DESCRIPTION | DATE | DWN | APVD |
| | | A1 | | REVISED PER ECO-11-005150 | 28APR11 | RK | HMR |



RoHS Compliant



FOR FURTHER INFORMATION SEE DATA SHEET FOR SERIES TW - WIRE WOUND SPINDLE OPERATED POTENTIOMETER

2009 RELEASED FOR PUBLICATION ALL RIGHTS RESERVED. THIS DRAWING IS UNPUBLISHED. BY COPYRIGHT

| | | | | | | |
|--|------------------|-----------|--|--------------|------------|---------------|
| DIMENSIONS: | DWN | 08-JAN-09 | MATERIAL | - | FINISH | - |
| mm | SUBHASH.M | 08-JAN-09 | | | | |
| TOLERANCES UNLESS OTHERWISE SPECIFIED: | CHK | 08-JAN-09 | | | | |
| 0 PLC ±0.2 | ALLAN.P | 08-JAN-09 | | | | |
| 1 PLC ±0.1 | APVD | 08-JAN-09 | NAME WIRE WOUND SPINDLE OPERATED POTENTIOMETER | | | |
| 2 PLC ± | STEPHEN.P | | SERIES TW | | | |
| 3 PLC ± | PRODUCT SPEC | - | SIZE | CAGE CODE | DRAWING NO | RESTRICTED TO |
| 4 PLC ± | APPLICATION SPEC | - | A 4 | 00779 | C-1676979 | - |
| ANGLES ±5° | WEIGHT | - | CUSTOMER DRAWING | | | |
| | SCALE | | 2:1 | SHEET 1 OF 1 | | REV A1 |