

IDS-3210

10.4" SVGA Industrial Panel Mount Monitor

NEW



Features

- 10.4" SVGA LCD panel with LED backlight for 20% power saving and environmental protection
- -20° C ~ +60° C wide range operating temperature
- 5-wire resistive touchscreen solution or 3mm tempered smudge resistant protected glass
- Combo touch interface: RS-232 and USB
- Dual signal interface with VGA & DVI
- Standard integrated frame
- Versatile mounting methods for front mounting and VESA mounting
- Anti-Reflective treatment (optional)
- Ultra high brightness solution of 1200 cd/m² for outdoor application (optional)

Introduction

The Advantech IDS-3210 Embedded Panel Mount Monitor series offers flexible options for LCD, touchscreen, signal interface and chassis mounting. The series with standard integrated frame design, supports front and VESA mounting which brings the benefits of easy installation and provides flexibility for different applications.

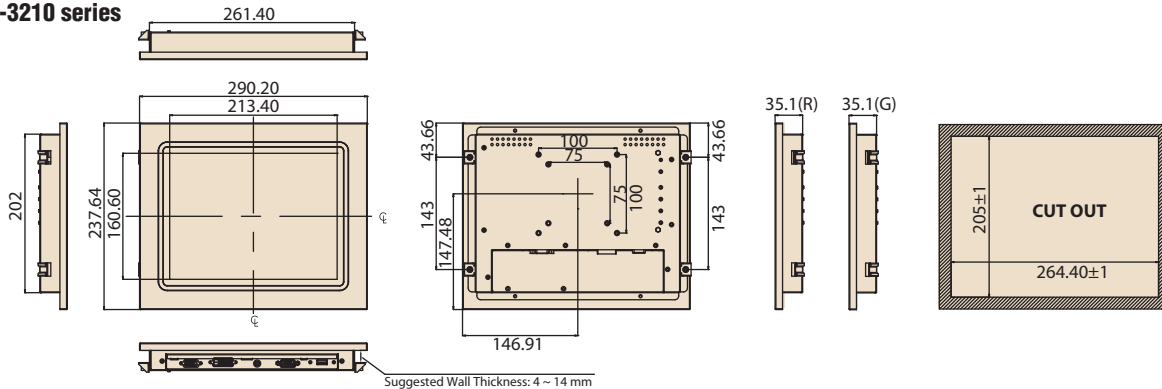
Specifications

Display	Model	IDS-3210	IDS-3210E
	Size	10.4" LED panel	10.4" LED panel
	Resolution	800 x 600 (SVGA)	800 x 600 (SVGA)
	Viewing Angle	80°/80° (H), 60°/80° (V)	80° /80° (H), 60° /70° (V)
	Brightness	400 (cd/m ²)	230 (cd/m ²)
	Color Support	16.2M / 262K colors	16.2M / 262K colors
	Contrast Ratio	700:1	500:1
	Response Time	30 [msec]	35 [msec]
	Backlight Life (hrs)	50,000 hrs	30,000 hrs
Touchscreen	Touchscreen Type	5-Wire Resistive Touchscreen	
	Surface Hardness	3H	
	Durability	36 million touches	
	Transparency	81%+/-3%	
Environment	Operating Temperature	-20 ~ 60° C (-4 ~ 140° F)	0~ 45° C (32 ~ 113° F)
	Storage Temperature	-30 ~ 70° C (-22 ~ 158° F)	-20 ~ 60° C (-4 ~ 140° F)
	Humidity	5 ~ 95% @ 40° C, non-condensing	
	Vibration	5-500Hz, 0.026G ² /Hz, 2.16Grms, X, Y, Z 1 hour per axis	
System	I/O	VGA x 1; DVI-D x 1; 12 V _{DC} Jack x 1; USB x1; RS-232 x 1 (USB & RS-232 are reserved for the connection to enable touch usage only)	VGA x 1; 12 V _{DC} Jack x 1; USB x1; RS-232 x 1 (USB & RS-232 are reserved for the connection to enable touch usage only)
	OSD	Keys: menu, up, down, auto adjust, monitor power on/off Menu Functions: brightness, contrast, screen settings, color temp, language OSD settings, VGA/DVI, recall, auto adjust	Keys: menu, up, down, auto adjust, monitor power on/off Menu Functions: brightness, contrast, color adjust, color temp, auto color and language
	Power	36 W power adapter, with AC 100 ~ 240 V input and DC +12 V @ 3 A output	
	EMC Compliance	CE/FCC/CCC	

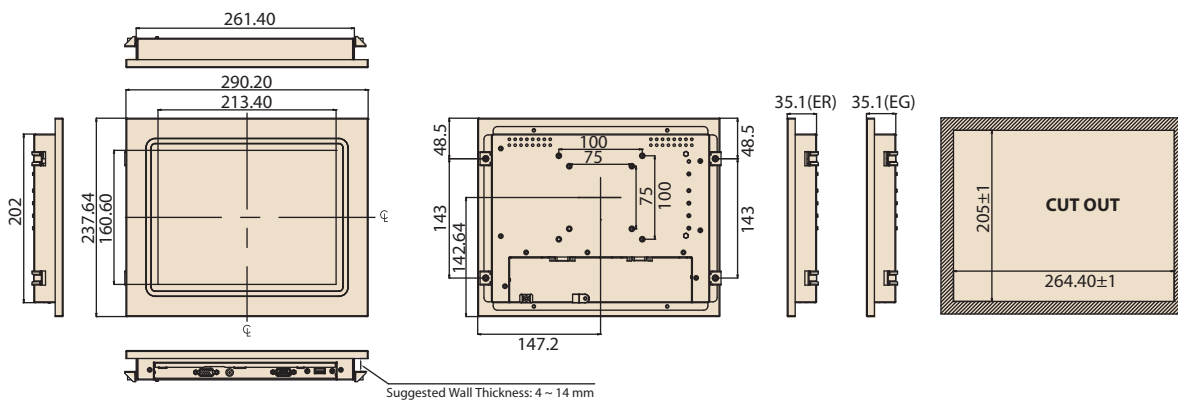
Dimensions

Unit: mm

IDS-3210 series



IDS-3210E series



Packing List

Part Number	Description
1700002215	1 x M Cable USB-A(M)/USB-A(M) 180 cm
1700021332-01	1 x VGA cable 15P(M) 180 cm
1962055040	4 x clumper
1935042520	4 x clumper screws M4_25L
1992610005	1 x cable clamp
1933030500	1 x cable clamp screw
1992602010	1 x cable tie

* USB Cable is only included in IDS-3210R and IDS-3210ER series.
Note: Package contents are subject to change without prior notice

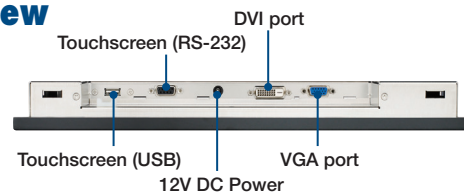
Optional Items

Part Number	Description
1700001524	3-pin power cord (US)
170203183C	3-pin power cord (EU)
1700008921	3-pin power cord with PSE (Japan)
96PSA-A36W12R1	Adapter 100-240V 36W 12V 3A
170000243-11	M cable DVI 19P(M)/DVI 19P(M) 191cm
1700091800	Cable 9P/9P 1.8M M/F (Touchscreen RS-232 cable)

Ordering Information

Model Name	Description
IDS-3210G-40SVA1E	10.4" SVGA 400 cd/m ² LED Panel Mount Monitor
IDS-3210R-40SVA1E	10.4" SVGA 400 cd/m ² LED Panel Mount Touch Monitor
IDS-3210EG-23SVA1E	10.4" SVGA 230 cd/m ² LED Panel Mount Monitor
IDS-3210ER-23SVA1E	10.4" SVGA 230 cd/m ² LED Panel Mount Touch Monitor

I/O view



Rear View

