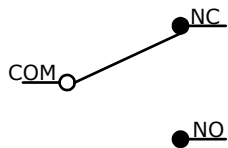


P.C. MOUNTING

O.P. (MM)	P.T. (MM)
7.75 ± .75	1.8 MAX.

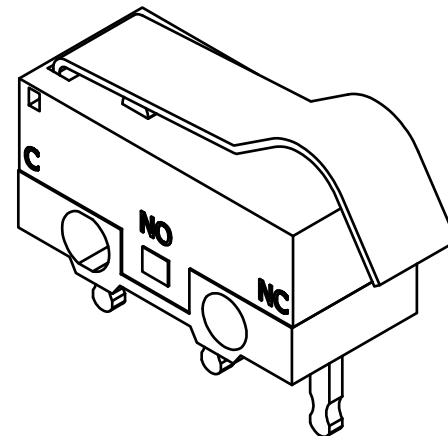
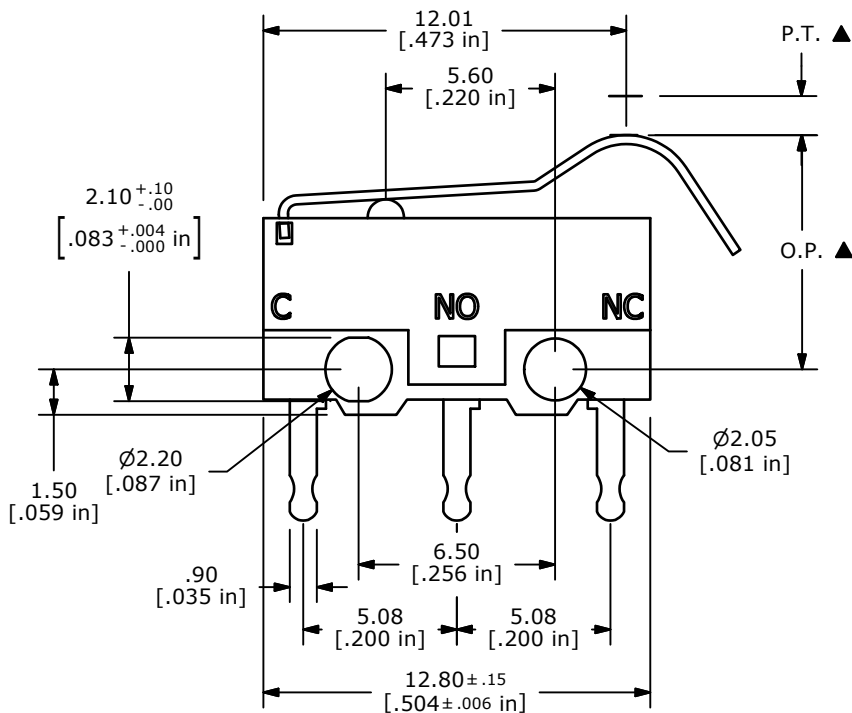
O.P. = OPERATING POINT
P.T. = PRE-TRAVEL



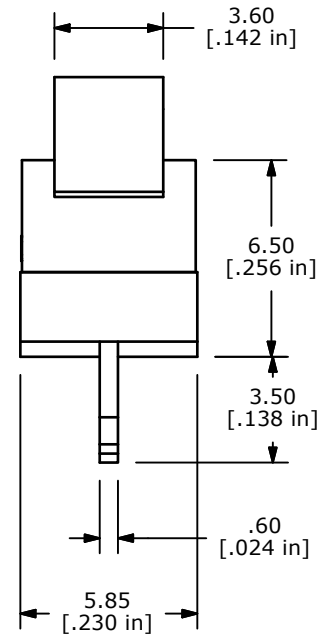
CIRCUIT: SPDT

NOTES:

1. ALL DIMENSIONS IN MM [INCH]
2. GENERAL TOLERANCE: X.X=± 0.4
X.XX=± 0.25
- ▲ 3. RATING: 3A @125VAC UL, CSA APPROVED
- ▲ 4. OPERATING FORCE: 50± 5 GRAMS
5. OPERATING TEMP: -25°C TO 85°C
6. ELECTRICAL LIFE: 10,000 CYCLES MIN.
7. MECHANICAL LIFE: 300,000 CYCLES MIN.
8. INSULATION RESISTANCE: 100 MEGA-OHMS
9. DIELECTRIC STRENGTH: 1000V RMS AT SEA LEVEL
- 10.▲ DENOTES CRITICAL PARAMETER.



ISOMETRIC



B	20203	UPDATE DRAWING	10/11/11	BMA
A	14628	RELEASED FOR PRODUCTION	1/20/05	AR
REV	PCR NO	DESCRIPTION	DATE	BY

E-SWITCH®				
TITLE DM0850303F050P1A				
SCALE	DATE	DR	DWG	REV
4:1	1/20/2005	AR	P030030	B

THE INFORMATION CONTAINED IN THIS DOCUMENT IS PROPRIETARY TO E-SWITCH AND IS NOT TO BE COPIED OR TRANSFERRED