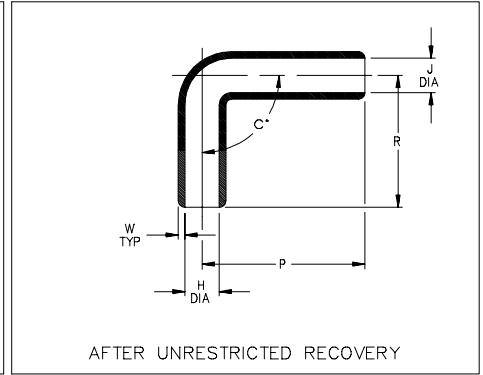
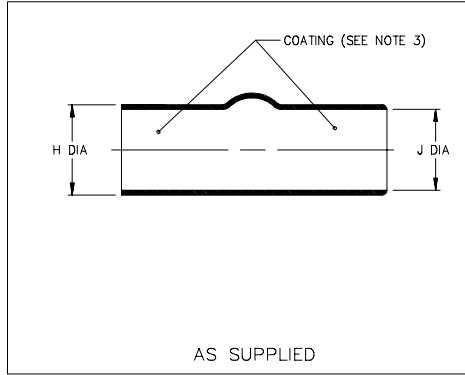


# Thermofit<sup>®</sup> Molded Parts Specification Control Drawing

Part Number : 220A012 thru 023  
Description : Cover, Elbow

## NOTES

- All dimensions are in  $\frac{\text{inches}}{[\text{millimeters}]}$
- Dimensions appearing in table are as follows:
  - a - As Supplied
  - b - After Unrestricted Recovery
- Coating is optional. As supplied dimensions appearing in table are for uncoated parts. When coating is added, entry diameters will be reduced by .06 max.



PART NUMBER	H		J		P	R	W	C
	Min	Max	Min	Max				
	a	b	a	b	b	b	b	b
220A012	.62 [15,7]	.31 [7,8]	.62 [15,7]	.31 [7,8]	1.75 [44,4]	1.00 [25,4]	.06 [1,5]	90°
220A018	.75 [19,0]	.37 [9,4]	.75 [19,0]	.37 [9,4]	1.75 [44,4]	1.75 [44,4]	.07 [1,7]	90°
220A023	1.25 [31,7]	.62 [15,7]	1.25 [31,7]	.62 [15,7]	3.50 [88,9]	2.00 [50,8]	.09 [2,3]	90°

**Raychem**

RAYCHEM CORPORATION  
300 CONSTITUTION DRIVE  
MENLO PARK, CALIFORNIA 94025  
(415) 361-6055

Revision : D  
Date : 3/19/92

Part Number : 220A012 thru 023  
Description : Cover, Elbow

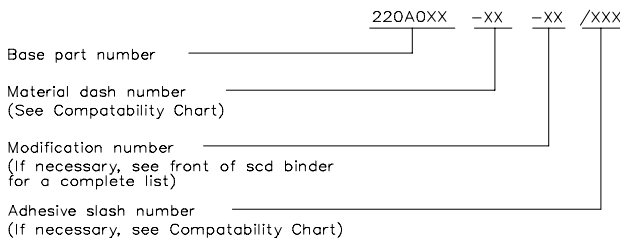
# Thermofit<sup>®</sup> Molded Parts Specification Control Drawing

Part Number : 220A012 thru 023  
Description : Cover, Elbow

COMPATABILITY CHART					
MATERIAL DASH NO.	MATERIAL DESCRIPTION	RT SPEC	COATING SLASH NO.	COATING S NO.	COATING DESCRIPTION
-3	Polyolefin, Semi-rigid	RT-301	/42	S-1017	Adhesive
-4	Polyolefin, Flexible	RT-1304	/42	S-1017	Adhesive
-5	Elastomer, Flexible	RT-501	N/A		
-6	Silicone	RT-602	N/A		
-12	*VITON, Flexible	RT-1312	N/A		
-25	Elastomer, Fluid Resistant	RT-1325	N/A		

\*VITON is a Registered Trademark of Dupont

## ORDERING INFORMATION



THIS DRAWING IS SUBJECT TO CHANGE WITHOUT NOTICE; CONSULT YOUR  
NEAREST FIELD REPRESENTATIVE FOR CURRENT REVISION

If this document is printed it becomes uncontrolled.  
Check for the latest revision.

**Raychem**

RAYCHEM CORPORATION  
300 CONSTITUTION DRIVE  
MENLO PARK, CALIFORNIA 94025  
(415) 361-6055

Revision : D  
Date : 3/19/92

Part Number : 220A012 thru 023  
Description : Cover, Elbow

CAD FILE MP92174