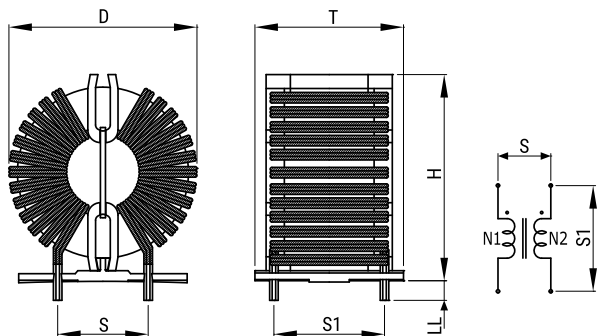


KEMET Part Number: SCF47B-400-1R8C040J
(UALF47B040J000)

KEMET, SCF-J/JH, AC Line Filters, Common Mode, 4000 uH



Dimensions

D	70mm MAX
H	36.5mm MAX
LL	6mm +/-3mm
S	44mm NOM

Packaging Specifications

Packaging:	Tray
Packaging Quantity:	36
Weight:	190 g

General Information

Series:	SCF-J/JH
Style:	Through-Hole
Features:	High Impedance, Space Saving
RoHS:	Yes
Notes:	Lead Spacing (S/S1) Are For Reference Only.
Miscellaneous:	Temperature Rise Maximum: 75 K

Specifications

Voltage AC:	500 VAC
Inductance:	4 mH (10 kHz)
Current:	40 A
Temperature Range:	-25/+120°C
DC Resistance:	2.1 mOhms