



(2.54 mm) .100"

PEC SERIES

POWER EDGE CARD CONNECTOR

SPECIFICATIONS

For complete specifications and recommended PCB layouts see www.samtec.com?PEC

Insulator Material:
Black Liquid Crystal Polymer

Contact Material:
BeCu

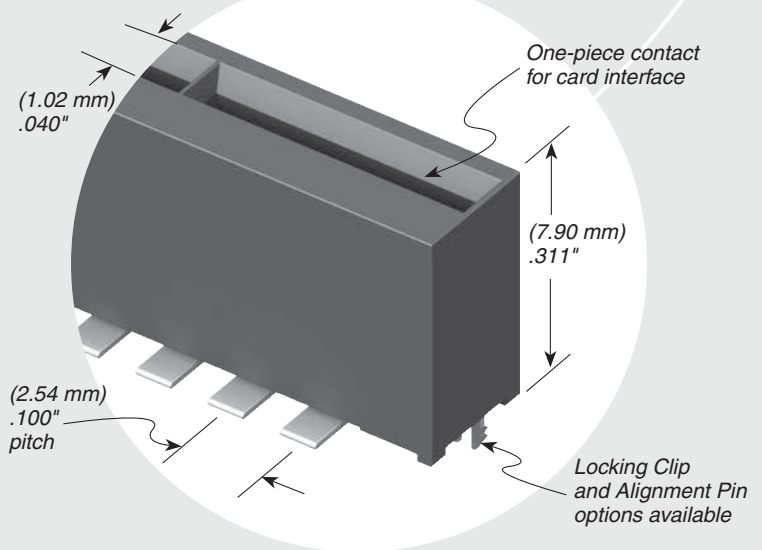
Plating:
Sn over 50 μm (1.27 μm) Ni

Current Rating:
7.5 A per pin
(1 pin powered)

Operating Temp Range:
-55 °C to +105 °C

Voltage Rating:
250 VAC

RoHS Compliant:
Yes



PROCESSING

Lead-Free Solderable:
Yes

SMT Lead Coplanarity:
(0.10 mm) .004" max

RECOGNITIONS

For complete scope of recognitions see www.samtec.com/quality



| | | | | | |
|------------|-------------------------|--|--------------------------|----------|--|
| PEC | NO. PINS PER ROW | LEAD STYLE | PLATING OPTION | S | OPTION |
| | -03, -07, -10 | -01 = Straight Tail -02 = Surface Mount | -T = Matte Tin | | -A = Alignment Pin (Not available with -LC) -LC = Locking Clip (Manual placement required) (Not available with -A) |

| NO. OF POSITIONS | A | B | C |
|------------------|------------------|------------------|-----------------|
| -03 | (12.70) .500 | (11.43) .450 | N/A |
| -07 | (22.86) .900 | (21.59) .850 | (8.89) .350 |
| -10 | (30.48) 1.200 | (29.21) 1.150 | (11.43) .450 |

Note:
Some sizes, styles and options are non-standard, non-returnable.

Due to technical progress, all designs, specifications and components are subject to change without notice.

WWW.SAMTEC.COM

All parts within this catalog are built to Samtec's specifications. Customer specific requirements must be approved by Samtec and identified in a Samtec customer-specific drawing to apply.