



(2.54 mm) .100"

PEC SERIES

# POWER EDGE CARD CONNECTOR

## SPECIFICATIONS

For complete specifications and recommended PCB layouts see [www.samtec.com?PEC](http://www.samtec.com?PEC)

**Insulator Material:**  
Black Liquid Crystal Polymer

**Contact Material:**  
BeCu

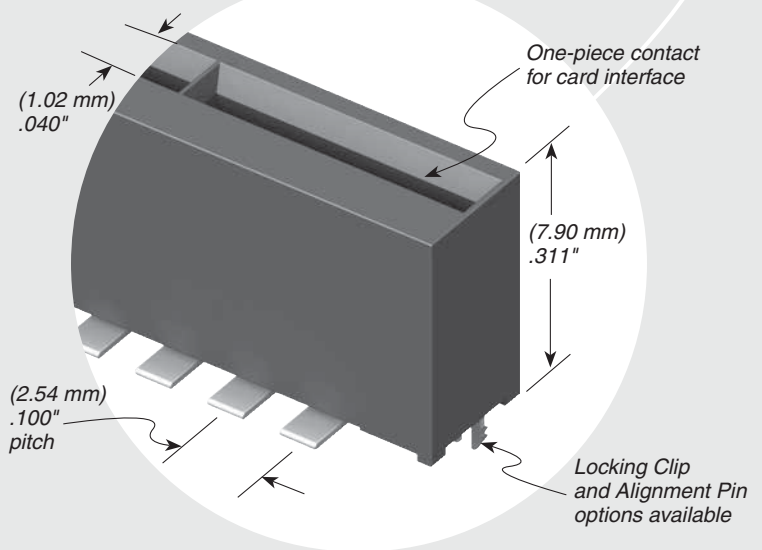
**Plating:**  
Sn over 50 μ" (1.27 μm) Ni

**Current Rating:**  
7.5 A per pin  
(1 pin powered)

**Operating Temp Range:**  
-55 °C to +105 °C

**Voltage Rating:**  
250 VAC

**RoHS Compliant:**  
Yes



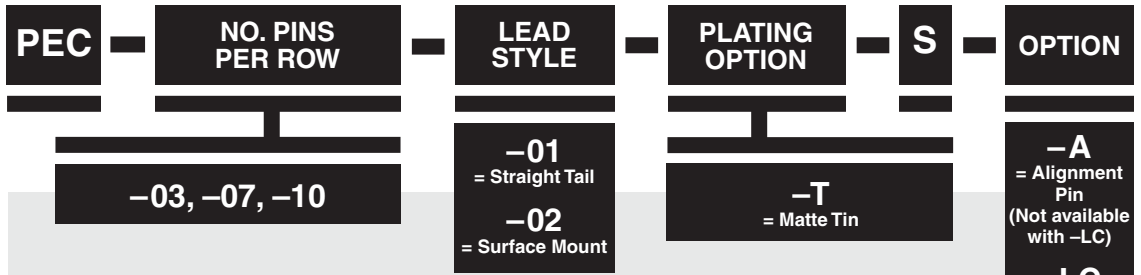
## PROCESSING

**Lead-Free Solderable:**  
Yes

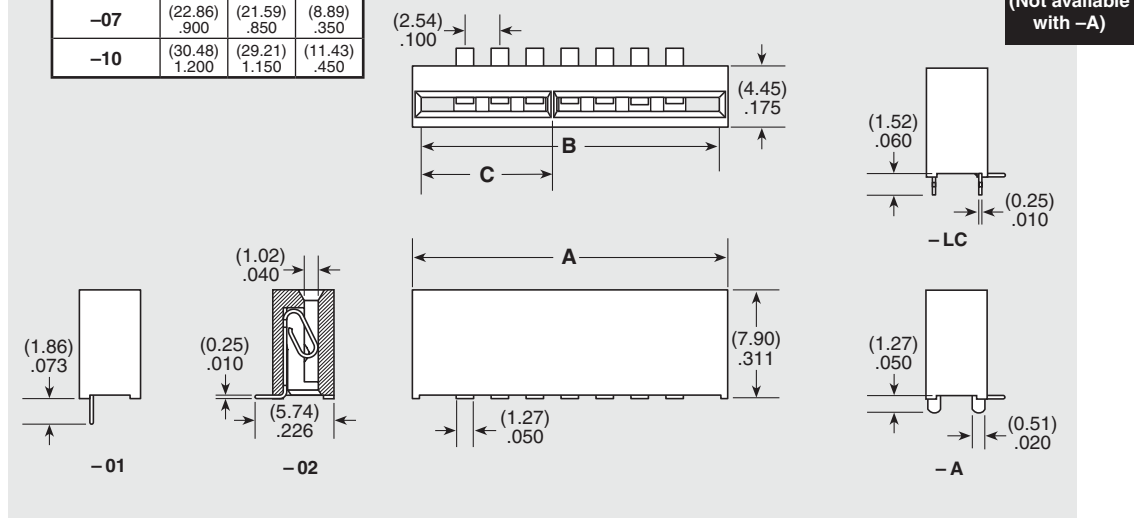
**SMT Lead Coplanarity:**  
(0.10 mm) .004" max

## RECOGNITIONS

For complete scope of recognitions see [www.samtec.com/quality](http://www.samtec.com/quality)



NO. OF POSITIONS	A	B	C
-03	(12.70) .500	(11.43) .450	N/A
-07	(22.86) .900	(21.59) .850	(8.89) .350
-10	(30.48) 1.200	(29.21) 1.150	(11.43) .450



**Note:**  
Some sizes, styles and options are non-standard, non-returnable.

Due to technical progress, all designs, specifications and components are subject to change without notice.

[WWW.SAMTEC.COM](http://WWW.SAMTEC.COM)

All parts within this catalog are built to Samtec's specifications. Customer specific requirements must be approved by Samtec and identified in a Samtec customer-specific drawing to apply.