



(2.54 mm) .100"

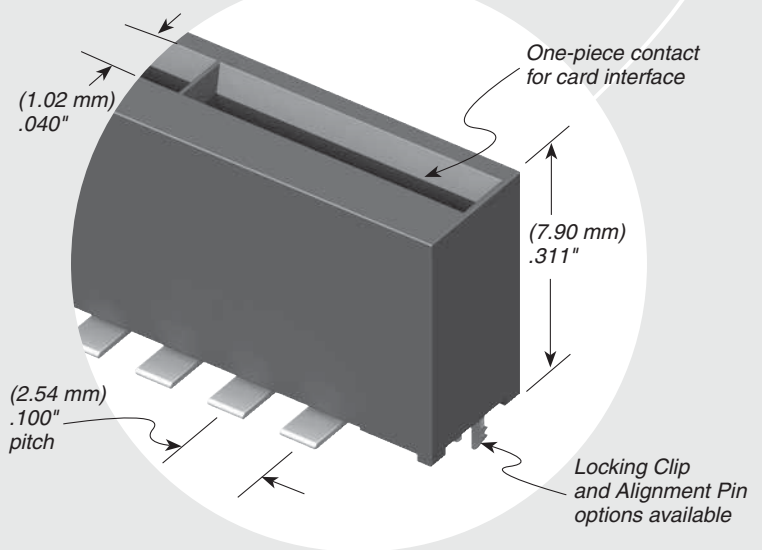
PEC SERIES

# POWER EDGE CARD CONNECTOR

## SPECIFICATIONS

For complete specifications and recommended PCB layouts see [www.samtec.com?PEC](http://www.samtec.com?PEC)

- Insulator Material:**  
Black Liquid Crystal Polymer
- Contact Material:**  
BeCu
- Plating:**  
Sn over 50 μ" (1.27 μm) Ni
- Current Rating:**  
7.5 A per pin  
(1 pin powered)
- Operating Temp Range:**  
-55 °C to +105 °C
- Voltage Rating:**  
250 VAC
- RoHS Compliant:**  
Yes



## PROCESSING

- Lead-Free Solderable:**  
Yes
- SMT Lead Coplanarity:**  
(0.10 mm) .004" max

## RECOGNITIONS

For complete scope of recognitions see [www.samtec.com/quality](http://www.samtec.com/quality)



PEC	NO. PINS PER ROW	LEAD STYLE	PLATING OPTION	S	OPTION
	<b>-03, -07, -10</b>	<b>-01</b> = Straight Tail  <b>-02</b> = Surface Mount	<b>-T</b> = Matte Tin		<b>-A</b> = Alignment Pin (Not available with -LC)  <b>-LC</b> = Locking Clip (Manual placement required) (Not available with -A)

NO. OF POSITIONS	A	B	C
<b>-03</b>	(12.70) .500	(11.43) .450	N/A
<b>-07</b>	(22.86) .900	(21.59) .850	(8.89) .350
<b>-10</b>	(30.48) 1.200	(29.21) 1.150	(11.43) .450

**Note:**  
Some sizes, styles and options are non-standard, non-returnable.

*Due to technical progress, all designs, specifications and components are subject to change without notice.*

**WWW.SAMTEC.COM**

All parts within this catalog are built to Samtec's specifications.  
Customer specific requirements must be approved by Samtec and identified in a Samtec customer-specific drawing to apply.