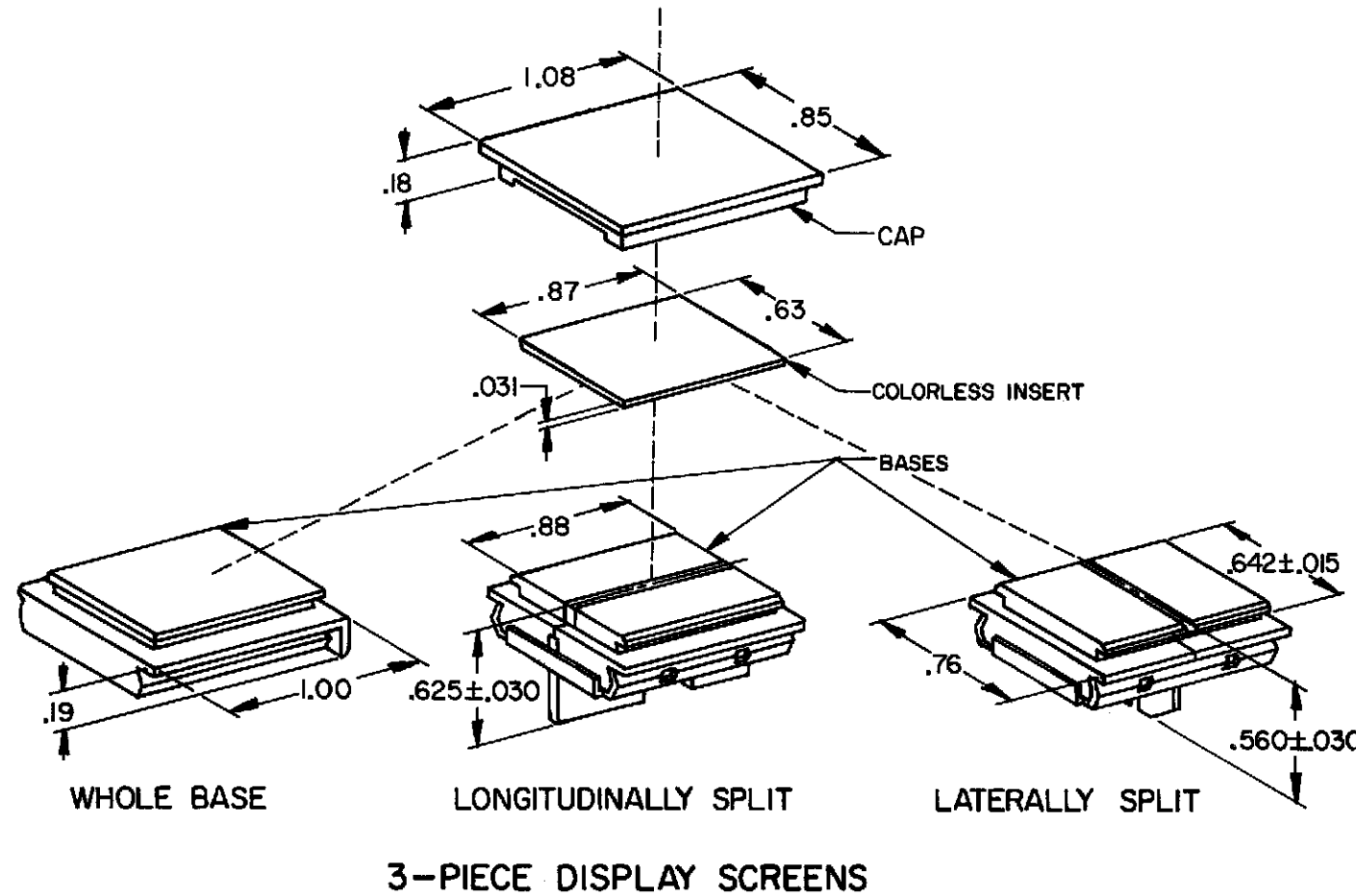


L 0069773
MBN
23SEP10

THIS DRAWING COVERS A PROPRIETARY ITEM AND IS THE PROPERTY OF MICRO SWITCH, A DIVISION OF HONEYWELL. THIS DRAWING IS NOT TO BE COPIED OR USED WITHOUT THE APPROVAL OF MICRO SWITCH

COLORS		CATALOG LISTINGS		
		3-PIECE DISPLAY SCREEN		
CAP	BASE	WHOLE BASE	LONGITU-DINALLY	LATER-ALLY
RED	RED	2A66		
YELLOW	YELLOW	Ⓣ		
GREEN	GREEN	2A68		
BLUE	BLUE	Ⓣ		
COLORLESS	WHITE	2A70		
COLORLESS	WHITE	2A242		
COLORLESS	RED & RED		2A51	Ⓣ
COLORLESS	RED & YELLOW		2A52	Ⓣ
COLORLESS	RED & GREEN		2A53	Ⓣ
COLORLESS	RED & BLUE		Ⓣ	
COLORLESS	RED & WHITE		2A55	Ⓣ
COLORLESS	YELLOW & GREEN		2A56	Ⓣ
COLORLESS	YELLOW & BLUE		Ⓣ	
COLORLESS	YELLOW & WHITE		2A58	2A43
COLORLESS	YELLOW & YELLOW		2A59	Ⓣ
COLORLESS	GREEN & BLUE		Ⓣ	Ⓣ
COLORLESS	GREEN & WHITE		2A61	2A46
COLORLESS	GREEN & GREEN		2A62	2A47
COLORLESS	BLUE & WHITE		Ⓣ	Ⓣ
COLORLESS	BLUE & BLUE		Ⓣ	
COLORLESS	WHITE & WHITE		2A65	2A50
COLORLESS	AMBER & AMBER		Ⓣ	
COLORLESS	WHITE & AMBER		Ⓣ	
COLORLESS	GREEN & WHITE		2A209	
COLORLESS	AMBER & WHITE		2A7093	Ⓣ
COLORLESS	WHITE & WHITE		Ⓣ	
COLORLESS	RED	Ⓣ		
COLORLESS	RED & GREEN		2A259	
COLORLESS	GREEN	2A248		
COLORLESS	GREEN & RED			Ⓣ
COLORLESS	RED & GREEN			2A38-L
COLORLESS	RED & RED		2A51-L	
COLORLESS	WHITE	2A70-L		



3-PIECE DISPLAY SCREENS

THIRD ANGLE PROJECTION

SCALE FULL

DO NOT SCALE PRINT

UNLESS OTHERWISE SPECIFIED TOLERANCES ARE

ONE PLACE (.0) ±.030

TWO PLACE (.00) ±.015

THREE PLACE (.000) ±.005

ANGLES ±

WEIGHT

CATALOG LISTING
2A SERIES CHART 1
PAGE 1 OF 2

ISSUE
34

REVISIONS

A	PR-22292	KDR	7 AUG 96
B	C093124	GJW	14 SEP 98
C	C093789	DLT	22 OCT 98
D	CO 95777	CO	95777
E	201724	GJW	14 NOV 00
F	203864	CSL	5 SEP 01
G	0015825	BM	28 SEP 05
H	0055520	SSK	18 AUG 09
J	0057014	PRS	29 SEP 09
K	0061584	SJK	18 FEB 10

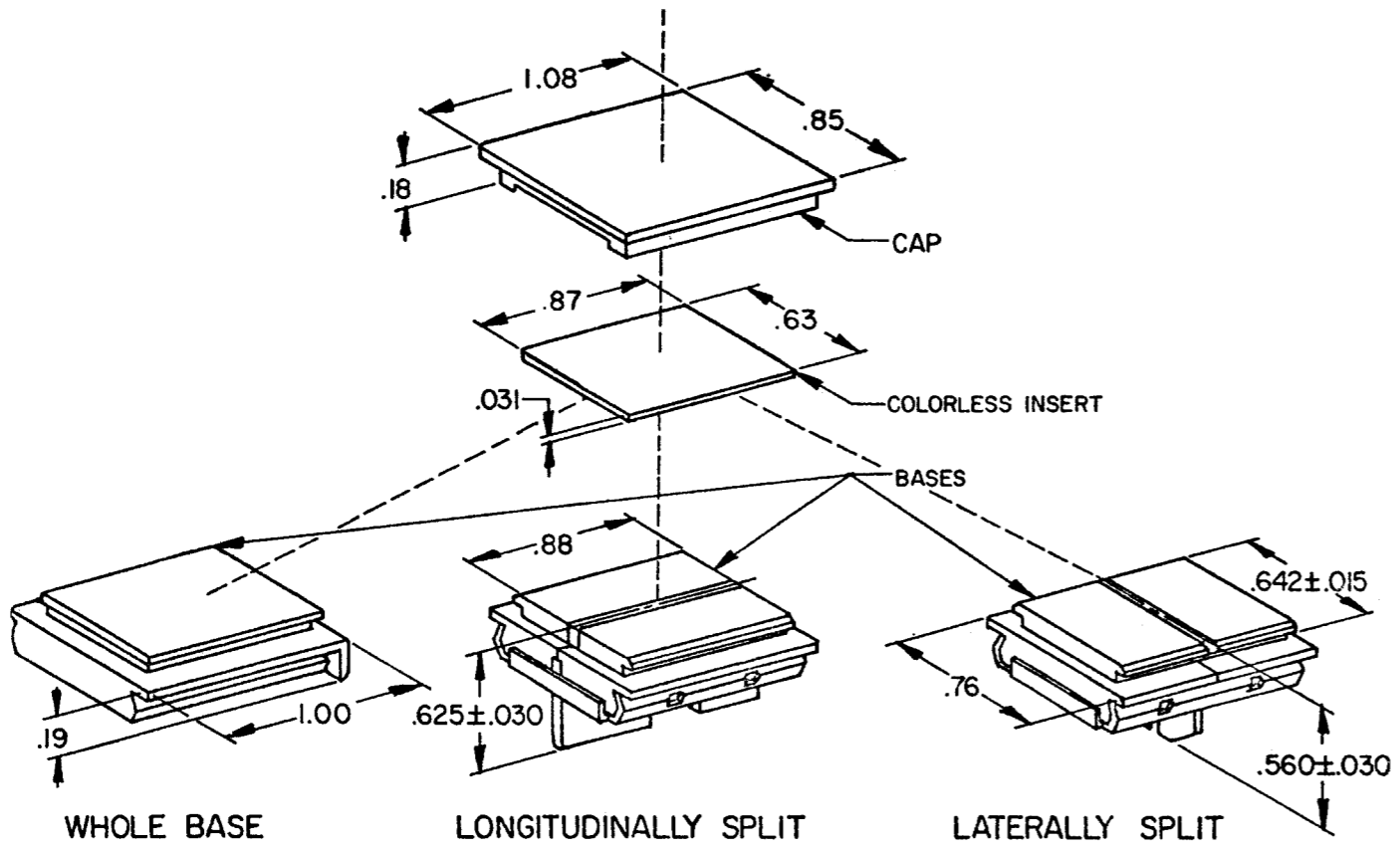
RASTER
DRAWN

REPLACES
PR-4572
CMH 23SEP10
CHECK
18AUG09
CMH 8 AUG 96
MAM 8 AUG 96
CHECK
7 AUG 96

CATALOG LISTINGS

3 - PIECE
 DISPLAY SCREEN

COLORS		WHOLE BASE	LONGITU-DINALLY	LATER-ALLY
CAP	BASE			
COLORLESS	BLUE & WHITE		(E)	
SMOKEY GREY	WHITE	(A)		
SMOKEY GREY	WHITE & WHITE		(A)	
NONE	WHITE & WHITE			2A160
COLORLESS	GREEN & WHITE			2A741
COLORLESS	WHITE & AMBER		(A)	
COLORLESS	RED	(B)		
COLORLESS	GREEN & GREEN			(A)
SMOKEY GREY	RED & RED		(A)	
COLORLESS	YELLOW & WHITE		(A)	
WHITE TRANSLUCENT	RED & BLUE			(A)
SMOKEY GREY	WHITE	(A)		
COLORLESS	AMBER & RED			(A)
NONE	AMBER & RED		(A)	
NONE	AMBER		(A)	
NONE	RED & WHITE		(A)	
NONE	AMBER & WHITE		(A)	
NONE	BLUE & WHITE			(A)
COLORLESS	YELLOW & GREEN			(A)
RED	WHITE	(A)		
GREEN	WHITE	(A)		
COLORLESS	CLEAR & RED		(A)	
COLORLESS	CLEAR & BLUE		(A)	
COLORLESS	CLEAR & YELLOW		(A)	
COLORLESS	CLEAR & GREEN		(A)	
COLORLESS	CLEAR & AMBER		(A)	



3-PIECE DISPLAY SCREENS

CATALOG LISTING
2A SERIES CHART 1
 PAGE 2 OF 2

ISSUE **M**
 34

REVISIONS	DATE	BY	CHECK
A	CO-82436	JALA	23SEP10
B	CO-92836	C.S.L.	17 AUG 98
C	CO93789	D.L.T.	22 OCT 98
D	CO-95777	J.J.A.	8 DEC 99
E	201724	G.J.W.	14 NOV 00
F	203864	C.S.L.	5 SEP 01
G	0015825	BM	28SEP05
H	0055520	SSK	18AUG09
J	0057014	PRS	29SEP09
K	0061584	SJK	18FEB10

RASTER
 DRAWN
 K A G 9 OCT 80

THIRD ANGLE PROJECTION

SCALE FULL

DO NOT SCALE PRINT

TOLERANCES
 APPLY TO DESIGN UNITS. CONVERSIONS ARE ONLY FOR REFERENCE. UNLESS NOTED, TOLERANCES ARE ±

DIM.	TOL.	DIM.	TOL.
mm	mm/in	in	mm/in
NO PLACES	X	1/04	
ONE PLACE	X,X	0.4/016	X,X 0.8/03
TWO PLACES	X,XX	0.15/006	X,XX 0.38/015
THREE PLACES	X,XXX		X,XXX 0.13/005

DESIGN UNITS SI METRIC US CUSTOMARY

WEIGHT

Mouser Electronics

Authorized Distributor

Click to View Pricing, Inventory, Delivery & Lifecycle Information:

[Honeywell:](#)

[2A209](#) [2A242](#) [2A53](#) [2A55](#) [2A56](#) [2A65](#) [2A66](#) [2A68](#) [2A58](#) [2A51-L](#) [2A62](#) [2A248](#) [2A47](#) [2A61](#) [2A43](#) [2A51](#)
[2A259](#) [2A50](#) [2A7093](#)