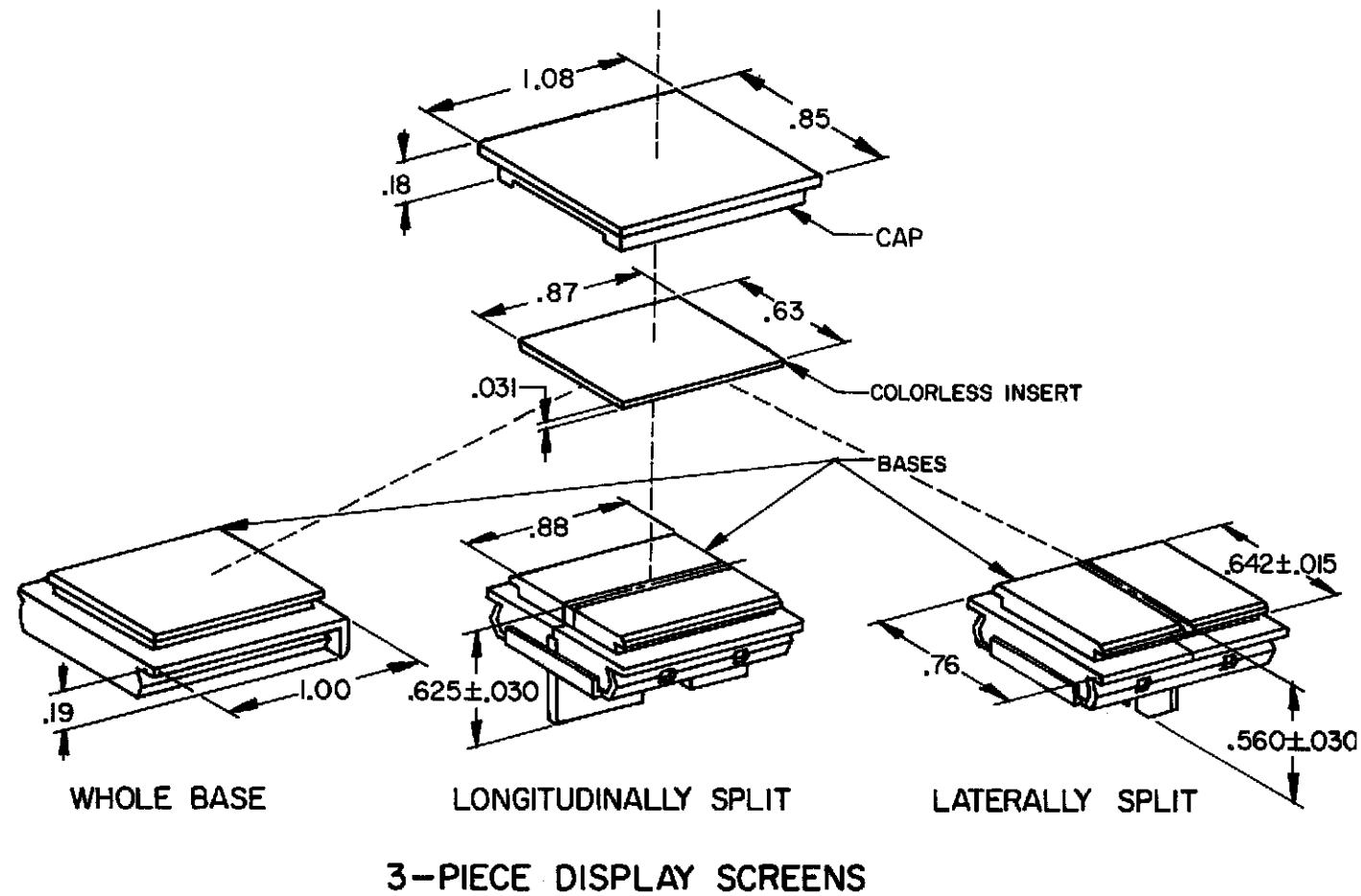


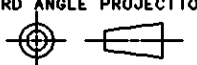
L 0069773  
MBN  
23SEP10

THIS DRAWING COVERS A PROPRIETARY ITEM AND IS THE PROPERTY OF MICRO SWITCH, A DIVISION OF HONEYWELL. THIS DRAWING IS NOT TO BE COPIED OR USED WITHOUT THE APPROVAL OF MICRO SWITCH

COLORS		CATALOG LISTINGS		
		3-PIECE DISPLAY SCREEN		
CAP	BASE	WHOLE BASE	LONGITU-DINALLY	LATER-ALLY
RED	RED	2A66		
YELLOW	YELLOW	Ⓣ		
GREEN	GREEN	2A68		
BLUE	BLUE	Ⓣ		
COLORLESS	WHITE	2A70		
COLORLESS	WHITE	2A242		
COLORLESS	RED & RED		2A51	Ⓣ
COLORLESS	RED & YELLOW		2A52	Ⓣ
COLORLESS	RED & GREEN		2A53	Ⓣ
COLORLESS	RED & BLUE		Ⓣ	
COLORLESS	RED & WHITE		2A55	Ⓣ
COLORLESS	YELLOW & GREEN		2A56	Ⓣ
COLORLESS	YELLOW & BLUE		Ⓣ	
COLORLESS	YELLOW & WHITE		2A58	2A43
COLORLESS	YELLOW & YELLOW		2A59	Ⓣ
COLORLESS	GREEN & BLUE		Ⓣ	Ⓣ
COLORLESS	GREEN & WHITE		2A61	2A46
COLORLESS	GREEN & GREEN		2A62	2A47
COLORLESS	BLUE & WHITE		Ⓣ	Ⓣ
COLORLESS	BLUE & BLUE		Ⓣ	
COLORLESS	WHITE & WHITE		2A65	2A50
COLORLESS	AMBER & AMBER		Ⓣ	
COLORLESS	WHITE & AMBER		Ⓣ	
COLORLESS	GREEN & WHITE		2A209	
COLORLESS	AMBER & WHITE		2A7093	Ⓣ
COLORLESS	WHITE & WHITE		Ⓣ	
COLORLESS	RED	Ⓣ		
COLORLESS	RED & GREEN		2A259	
COLORLESS	GREEN	2A248		
COLORLESS	GREEN & RED			Ⓣ
COLORLESS	RED & GREEN			2A38-L
COLORLESS	RED & RED		2A51-L	
COLORLESS	WHITE	2A70-L		



3-PIECE DISPLAY SCREENS

THIRD ANGLE PROJECTION  
  
 SCALE FULL  
 DO NOT SCALE PRINT  
 UNLESS OTHERWISE SPECIFIED TOLERANCES ARE  
 ONE PLACE (.0) ±.030  
 TWO PLACE (.00) ±.015  
 THREE PLACE (.000) ±.005  
 ANGLES ±  
 WEIGHT

CATALOG LISTING  
**2A SERIES CHART 1**  
 PAGE 1 OF 2  
 ISSUE 34  
 CMH 23SEP10  
 CMH 18AUG09  
 CMH 8 AUG 96  
 MAM 7 AUG 96  
 RASTER DRAWN  
 K D R  
 REPLACES PR-4572  
 CHECK 18AUG09  
 CHECK 8 AUG 96  
 CHECK 7 AUG 96

REVISIONS

A	PR-22292	K D R	7 AUG 96
B	C093124	G J W	14 SEP 98
C	C093789	DLT	22 OCT 98
D	CO 95777	CO	95777
E	201724	G J W	14 NOV 00
F	203864	CSL	5 SEP 01
G	0015825	BM	28 SEP 05
H	0055520	SSK	18 AUG 09
J	0057014	PRS	29 SEP 09
K	0061584	SJK	18 FEB 10

**MICRO SWITCH**  
 FREEPORT, ILLINOIS, U.S.A.  
 A DIVISION OF HONEYWELL  
 FED. MFG. CODE 91929

**DISPLAY SCREENS**

CATALOG LISTING  
**2A SERIES CHART 1**

THIS DRAWING COVERS A PROPRIETARY ITEM AND IS THE PROPERTY OF MICRO SWITCH, A DIVISION OF HONEYWELL. THIS DRAWING IS NOT TO BE COPIED OR USED WITHOUT THE APPROVAL OF MICRO SWITCH.

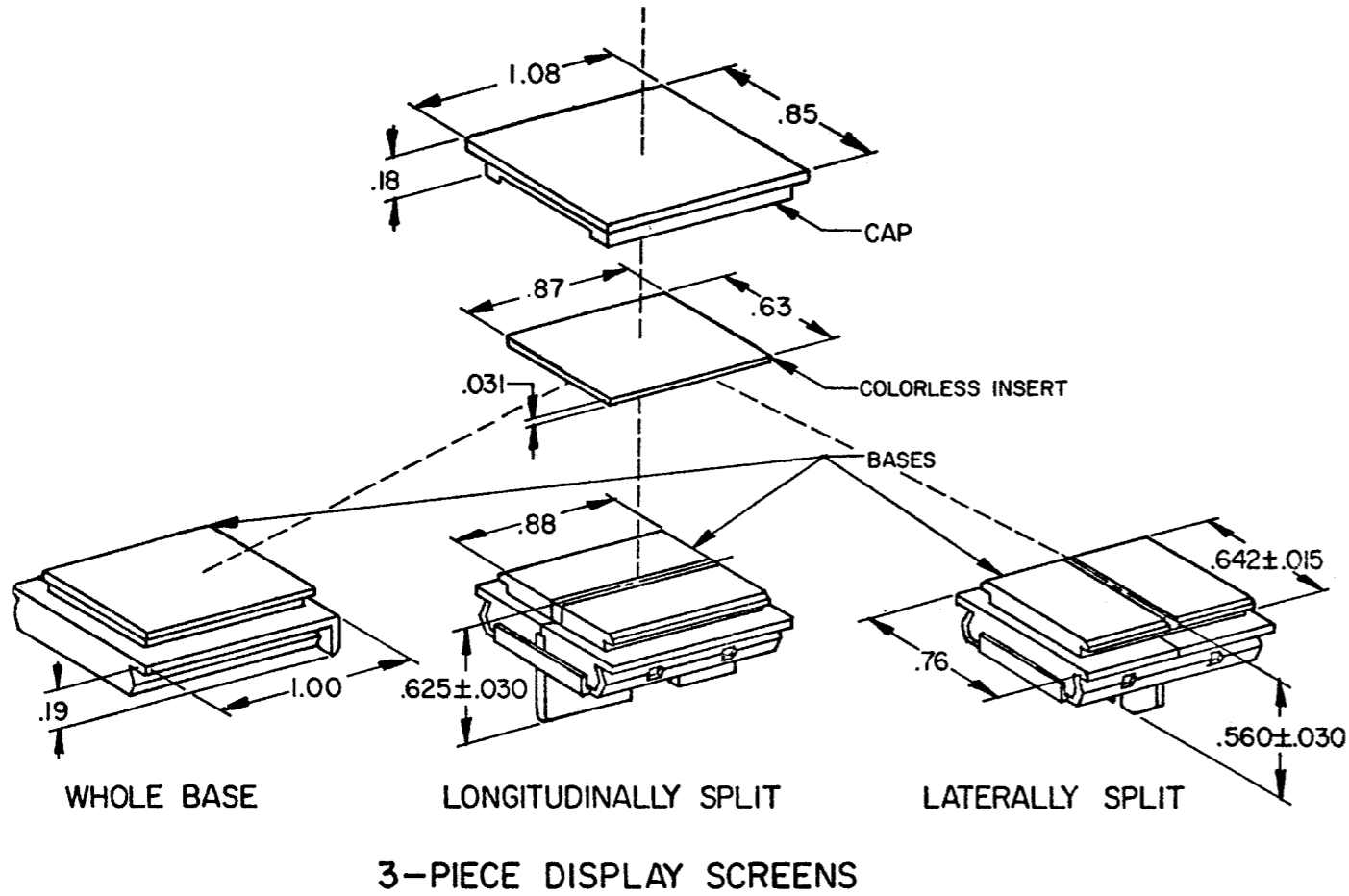
CATALOG LISTING  
**2A SERIES CHART 1**  
 PAGE 2 OF 2

ISSUE **M**  
 34

REPLACES  
 18FEB10  
 RELEASE NO. PR-9126  
 CMH  
 CHECK  
 23SEP10  
 CMH  
 CHECK  
 10 OCT 80  
 CEB  
 9 OCT 80

REVISIONS

A	CO-82436	JALA	5 FEB 96
B	CO-92836	C.S.L	17 AUG 98
C	CO93789	D.L.T	22 OCT 98
D	CO-95777	J.A.A	8 DEC 99
E	201724	G.J.W	14 NOV 00
F	203864	C.S.L	5 SEP 01
G	0015825	B.M	28 SEP 05
H	0055520	S.S.K	18 AUG 09
J	0057014	P.R.S	29 SEP 09
K	0061584	S.J.K	18 FEB 10



COLORS		CATALOG LISTINGS		
CAP	BASE	3 - PIECE DISPLAY SCREEN		
		WHOLE BASE	LONGITU-DINALLY	LATER-ALLY
COLORLESS	BLUE & WHITE		(E)	
SMOKEY GREY	WHITE	(A)		
SMOKEY GREY	WHITE & WHITE		(A)	
NONE	WHITE & WHITE			2A160
COLORLESS	GREEN & WHITE			2A741
COLORLESS	WHITE & AMBER		(A)	
COLORLESS	RED	(B)		
COLORLESS	GREEN & GREEN			(A)
SMOKEY GREY	RED & RED		(A)	
COLORLESS	YELLOW & WHITE		(A)	
WHITE TRANSLUCENT	RED & BLUE			(A)
SMOKEY GREY	WHITE	(A)		
COLORLESS	AMBER & RED			(A)
NONE	AMBER & RED		(A)	
NONE	AMBER		(A)	
NONE	RED & WHITE		(A)	
NONE	AMBER & WHITE		(A)	
NONE	BLUE & WHITE			(A)
COLORLESS	YELLOW & GREEN			(A)
RED	WHITE	(A)		
GREEN	WHITE	(A)		
COLORLESS	CLEAR & RED		(A)	
COLORLESS	CLEAR & BLUE		(A)	
COLORLESS	CLEAR & YELLOW		(A)	
COLORLESS	CLEAR & GREEN		(A)	
COLORLESS	CLEAR & AMBER		(A)	

THIRD ANGLE PROJECTION

SCALE FULL

DO NOT SCALE PRINT

TOLERANCES  
 APPLY TO DESIGN UNITS. CONVERSIONS ARE ONLY FOR REFERENCE. UNLESS NOTED, TOLERANCES ARE ±

	DIM.	TOL.	DIM.	TOL.
	mm	mm/fin	in	mm/in
NO PLACES	X	1/.04	X	0.01
ONE PLACE	X.X	0.4/.016	X.X	0.01
TWO PLACES	X.XX	0.15/.006	X.XX	0.01
THREE PLACES	X.XXX	0.15/.006	X.XXX	0.01

DESIGN UNITS  SI METRIC  US CUSTOMARY

WEIGHT

RASTER

# Mouser Electronics

Authorized Distributor

Click to View Pricing, Inventory, Delivery & Lifecycle Information:

[Honeywell:](#)

[2A209](#) [2A242](#) [2A53](#) [2A55](#) [2A56](#) [2A65](#) [2A66](#) [2A68](#) [2A58](#) [2A51-L](#) [2A62](#) [2A248](#) [2A47](#) [2A61](#) [2A43](#) [2A51](#)  
[2A259](#) [2A50](#) [2A7093](#)