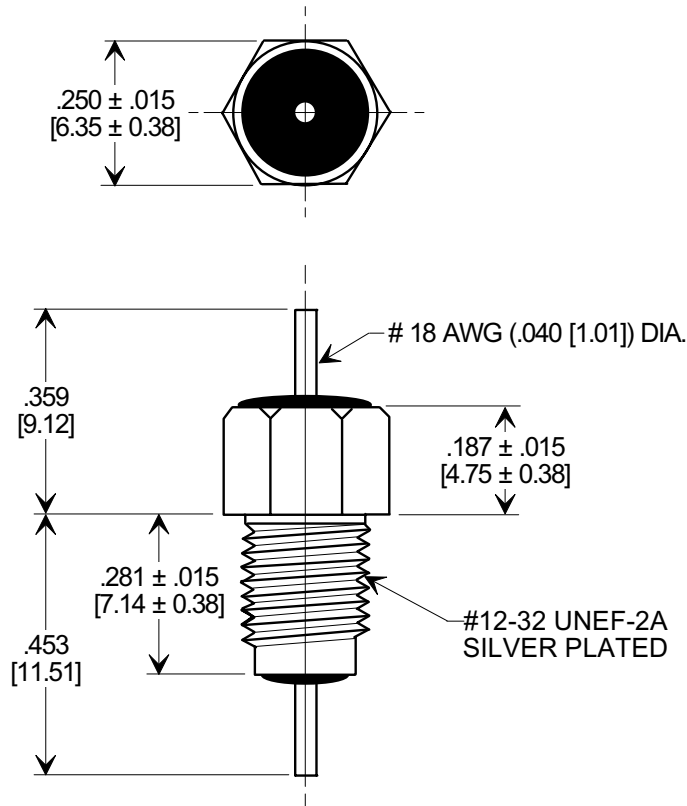
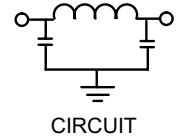
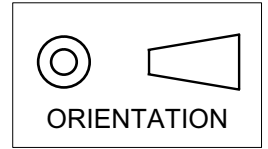


MARKETING SALES DRAWING

DIMENSIONS IN INCHES - DO NOT SCALE THIS DRAWING
 DIMENSIONS IN METRIC - []

Electrical Testing
 per Tusonix standard
 test plans and Mil-Std-202
 Test Methods.



NOTES:

- TUSONIX STANDARD PART NUMBER: 4202-004.
 TUSONIX RoHS COMPLIANT PART NUMBER: 4202-004 LF.
 CUSTOMER MUST SPECIFY STANDARD OR RoHS PART NUMBER WHEN ORDERING.
- LEAD FINISH: STANDARD PART NO.: 60/40 SOLDER PLATED.
 RoHS PART NO.: SILVER PLATED.
- PART MARKING: STANDARD BLACK INK FOR VARIATION AND DATE CODE. RoHS PART: GREEN FOR VARIATION AND DATE CODE.
- SUPPLIED WITH SILVER PLATED MOUNTING HEX NUT AND LOCK WASHER.

GMV CAP. (pF)	WORKING VOLTAGE (VDC)		CURRENT (Idc)	I.R. MIN. @ 100 (VDC.)	DWV (VDC)	MINIMUM NO LOAD INSERTION LOSS (dB) AT 25°C PER MIL-STD -220			
	85°C	125 °C				10 MHz	100 MHz	1 GHz	10 GHz
2500	500	350	15A	10 G Ω	1200	5	50	70	70

X-2015 Rev-0	REVISION RECORD				--TOLERANCES-- Unless Otherwise Specified	Title BUSHING STYLE EMI FILTER	
	0	Original Release C.O.					
	1	WORKING VOLTAGE REV'D -85 WAS -55 & 350 ADDED L.E. 3-3-91			ANGLES ±	Drawn L.E. 08-30-01	Scale 3 X
	2	RDN TO COMP FMT & METRIC ADDED L.E. 08-31-01			TUSONIX TUCSON, ARIZONA	Approved T.C. 08-30-01	
3	ADDED NOTES 1-3, DWV & IR. S.M. 04-12-05			A		4202-004	
4	20050407-6-02						