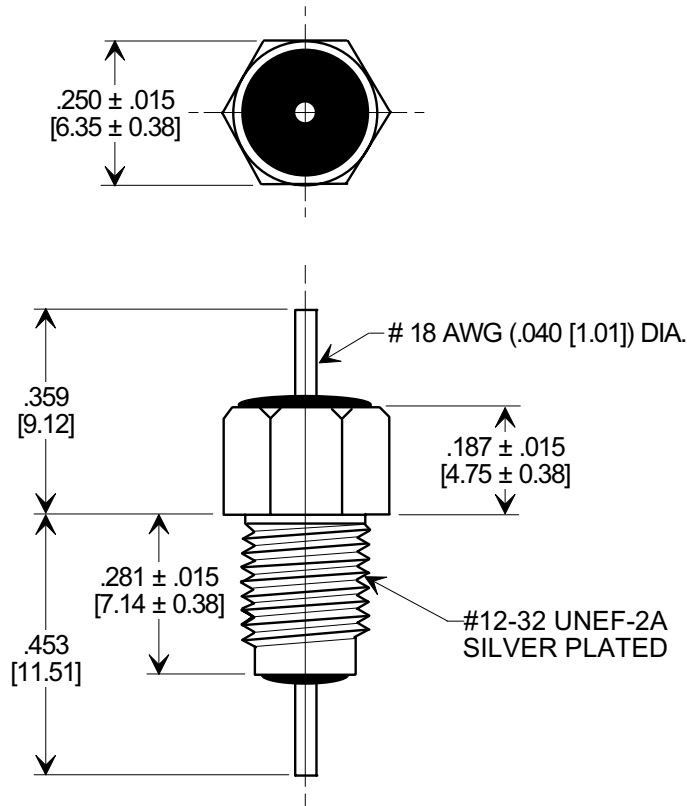
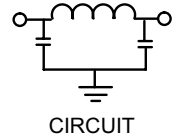
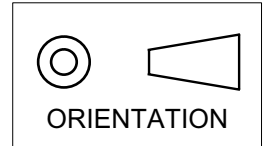


# MARKETING SALES DRAWING

DIMENSIONS IN INCHES - DO NOT SCALE THIS DRAWING  
 DIMENSIONS IN METRIC - [ ]

Electrical Testing  
 per Tusonix standard  
 test plans and Mil-Std-202  
 Test Methods.



**NOTES:**

- TUSONIX STANDARD PART NUMBER: 4202-004.  
 TUSONIX RoHS COMPLIANT PART NUMBER: 4202-004 LF.  
 CUSTOMER MUST SPECIFY STANDARD OR RoHS PART NUMBER WHEN ORDERING.
- LEAD FINISH: STANDARD PART NO.: 60/40 SOLDER PLATED.  
 RoHS PART NO.: SILVER PLATED.
- PART MARKING: STANDARD BLACK INK FOR VARIATION AND DATE CODE. RoHS PART: GREEN FOR VARIATION AND DATE CODE.
- SUPPLIED WITH SILVER PLATED MOUNTING HEX NUT AND LOCK WASHER.

GMV CAP. (pF)	WORKING VOLTAGE (VDC)		CURRENT (Idc)	I.R. MIN. @ 100 (VDC.)	DWV (VDC)	MINIMUM NO LOAD INSERTION LOSS (dB) AT 25°C PER MIL-STD -220			
	85°C	125 °C				10 MHz	100 MHz	1 GHz	10 GHz
2500	500	350	15A	10 G Ω	1200	5	50	70	70

X-2015 Rev-0	<b>REVISION RECORD</b>				<b>TUSONIX</b> TUCSON, ARIZONA	--TOLERANCES-- Unless Otherwise Specified		Title	
	0	Original Release C.O.				DECIMAL ± .031 [0.79]	Drawn L.E. 08-30-01 Approved T.C. 08-30-01		Scale 3 X
	1	4202-004S WAS SK 6764-000 S L.E. 01-13-84				ANGLES ±			
	2	C.O. 1965 WORKING VOLTAGE REV'D -85 WAS -55 & 350 ADDED L.E. 3-3-91				<b>BUSHING STYLE EMI FILTER</b>			
	3	C.O. 5800 RDN TO COMP FMT & METRIC ADDED L.E. 08-31-01							
4	20010830-1-01 ADDED NOTES 1-3, DWV & IR. S.M. 04-12-05			A		4202-004			