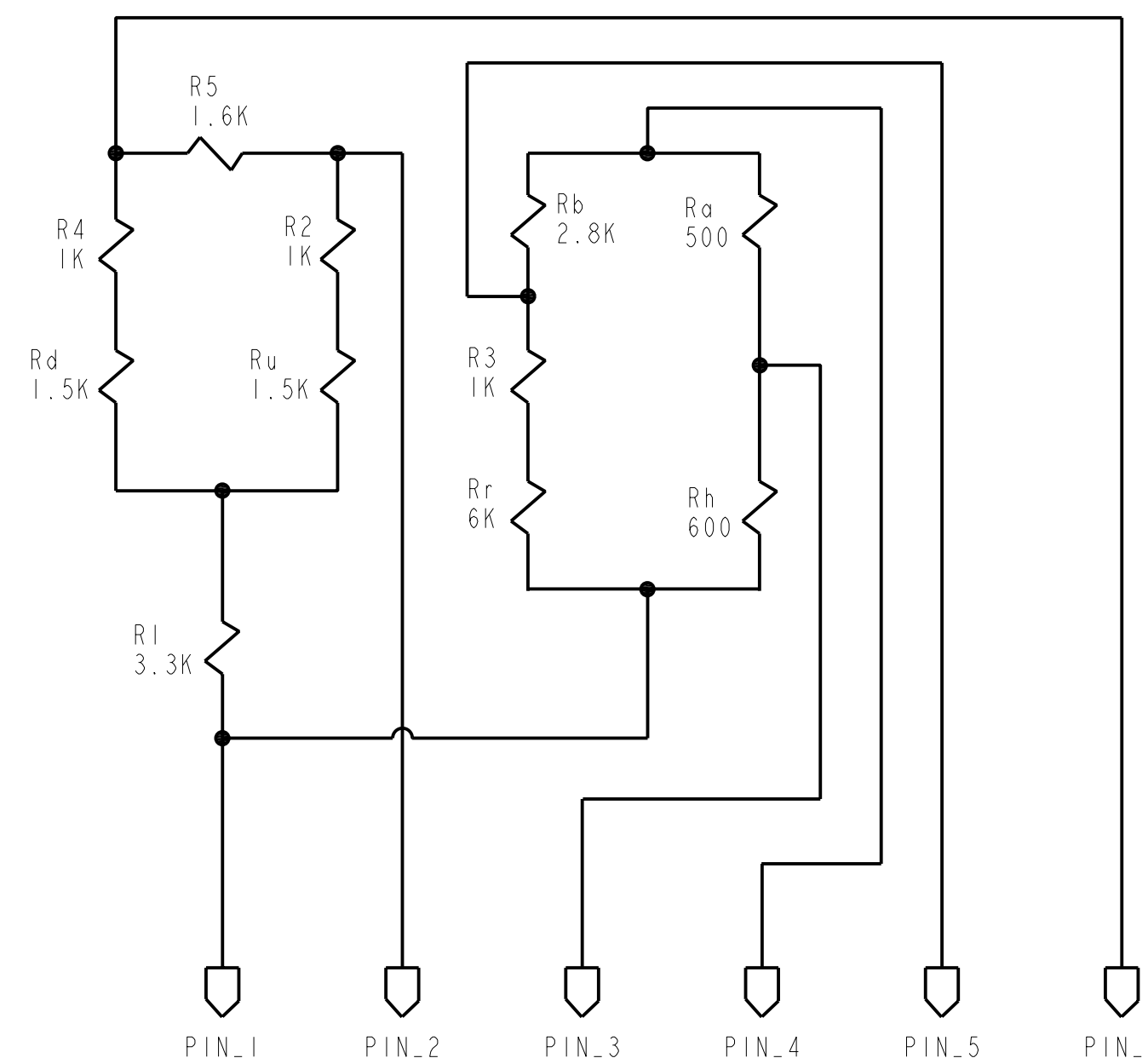


DETAIL A  
SCALE 4:1



POWER SUPPLY (MIN/MAX)	8.0/15.0 VDC
RECOMMENDED EXCITATION	10 ± 0.01 VDC
OUTPUT LOAD	SINK 10mA SOURCE 20mA
NULL OUTPUT SHIFT: -25°C TO +85°C	.20mV
OUTPUT SHIFT: 25°C TO -25°C 25°C TO 85°C	+2.5% READING (MAX) -2.5% READING (MAX)
RAITOMETRICITY ERROR	±.3% READING
PEPEATABILITY & HYSTERESIS	±.50% READING (TYP)
TEMPERATURE RANGE OPERATING STORAGE	-25°C TO +85°C -40°C TO +125°C
TERMINATION	(.100" CENTERS) .025" SQUARE
SHOCK RATING (5 DROPS, EACH OF 6 AXES)	100g PEAK
OVERPRESSURE	150 PSI
MAX FLOW PULSE TO PREVENT DAMAGE	5 SLPM/SEC
TORQUE PER LUG	2 TO 6 IN LBS

OUTPUT VS FLOW		
FLOW (SCCM)	NOM (mVDC)	NOM (mVDC)
0	0.00	1.50
200	29.80	4.00
400	42.50	3.50
600	49.30	2.50
800	53.00	2.00
1000	55.20	2.00

AWM42300V

ISSUE 1

REVISIONS

PTC/CAD  
DRAWN  
GRT 23 JAN 97

PAGE 1 OF 1  
RELEASE NO. PR-22391  
REPLACES

CHECK

CHECK

CHECK

MASTER REDUCED  
ANSI Y14.5M-1982 APPLIES

THIS DRAWING COVERS A PROPRIETARY ITEM AND IS THE PROPERTY OF MICRO SWITCH, A DIVISION OF HONEYWELL. THIS DRAWING IS NOT TO BE COPIED OR USED WITHOUT THE APPROVAL OF MICRO SWITCH.

**MICRO SWITCH**  
a Honeywell Division

**MASS AIRFLOW SENSOR**

CATALOG LISTING  
**AWM42300V**

FED. MFG. CODE 91929

THIRD ANGLE PROJECTION

SCALE 2:1

DO NOT SCALE PRINT

UNLESS OTHERWISE SPECIFIED TOLERANCES ARE

ONE PLACE	(.0)	±.030
TWO PLACES	(.00)	±.015
THREE PLACES	(.000)	±.005
ANGLES		±

WEIGHT