

**RPM7000 Series**

**MIL/COTS AC, 1PH EMI Power Line Filter**

**RPM7000  
MILITARY/ COTS TO 50A  
47-400HZ  
MIL-STD-461/ DO-160**



**SPECIFICATIONS**

Operating Freq.	: 47-400Hz
Max. Operating Voltage	: 300VAC
Ambient Temperature	: -40 to 70C
Hipot Rating (L-G)	: 1800VDC
Terminals (-T)	: S: 5/10/20/30A (M5) 50A (M6)
Typical Leakage Current	: 3.5mA/Line (250V/60Hz)
Applications	: Mil-461/ DO-160
Note:	
* Call for other termination types (e.g. Circular Mil-Connectors, etc.)	
*Leakage Current is determined by the line to ground capacitors in the filter. The capacitors can be easily varied to match the system leakage requirements.	

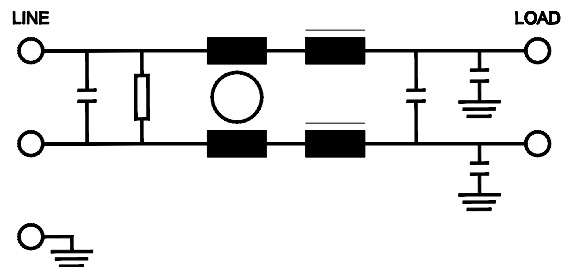
**TYPICAL INSERTION LOSS, dB  
(50/50ohm)**

FREQ (MHz)	.01	.15	.5	1	10	30
CM(dB)	16	32	50	50	45	30
DM(dB)	22	42	60	60	40	30

**PART NUMBER/ ORDERING**

RPM7000	-X (Amps)	-T	Weight LBS (KG) Typ.
	5	S	0.4 (0.2)
	10		0.4 (0.2)
	20		2.7 (1.2)
	30		2.7 (1.2)
	50		3.7 (1.7)

**SCHEMATIC**

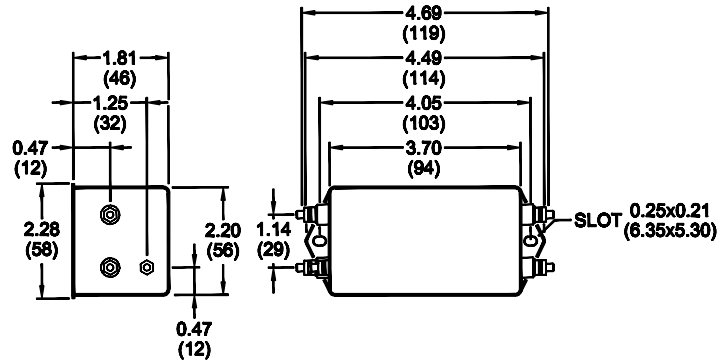


Reference purposes only.  
Specifications are subject to change.  
Consult factory to verify specifications.

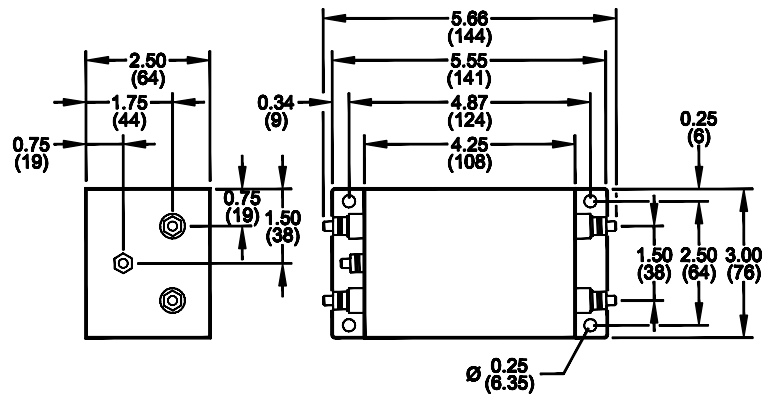
## RPM7000

### Mechanical Dimensions

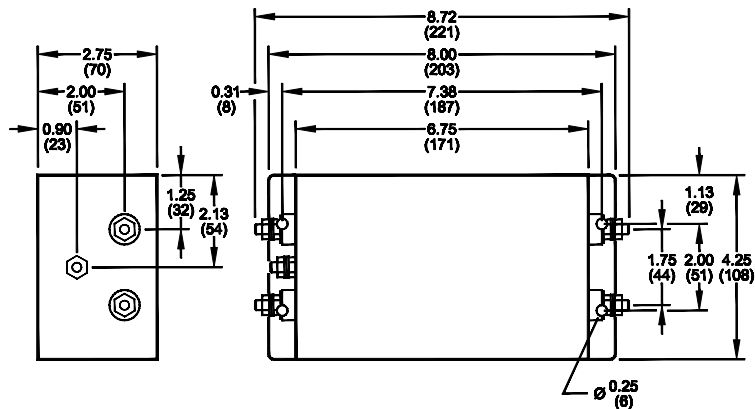
5/10Amp



20/30Amp



50Amp



TYPICAL TOLERANCE: +/-0.02 (0.50)

Reference purposes only.  
Specifications are subject to change.  
Consult factory to verify specifications.