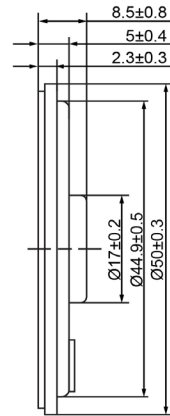
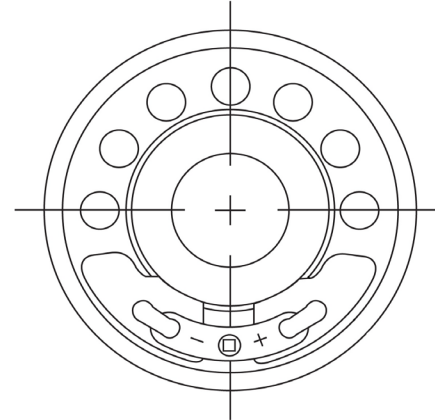




**SIDE VIEW**



**BOTTOM VIEW**



Specifications			Notes	Revision History					
Description	Value	Unit		Version	Description	Date	Approved		
Shape	Round		1) All dimensions are in mm unless otherwise noted 2) All parts meet RoHS 	1	Released from Engineering	10/21/2013	J.S		
Resonant Frequency	380	(Hz)							
Frequency Range	380 ~ 5,000	(Hz)							
SPL @ 10cm	93	(dBA)							
Impedance	8	(Ohm)							
Cone Material	Paper								
Nominal Power	0.25	(W)							
Max Power	0.5	(W)							
Mount Type	Flush								
Operating Temperature	-40 ~ +66	°C							
Storage Temperature	-40 ~ +66	°C							
Weight	20	(g)							
						<b>Dynamic Speaker</b>		<b>SP500308-1</b>	
				<b>Drawn by</b> A.B.	<b>Date</b> 10/21/2013	<b>Checked by</b> C.E.	<b>Date</b> 10/21/2013	<b>Approved by</b> J.S	<b>Date</b> 10/21/2013