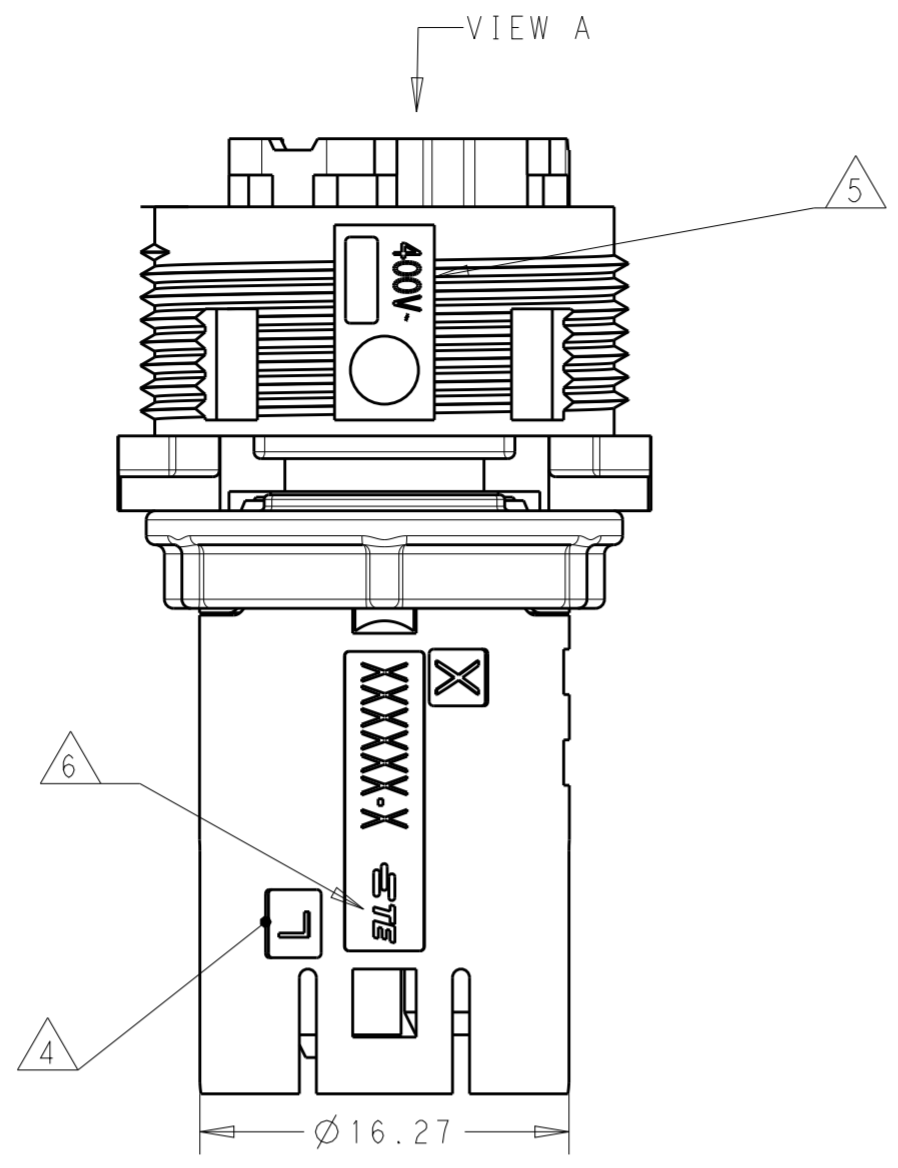
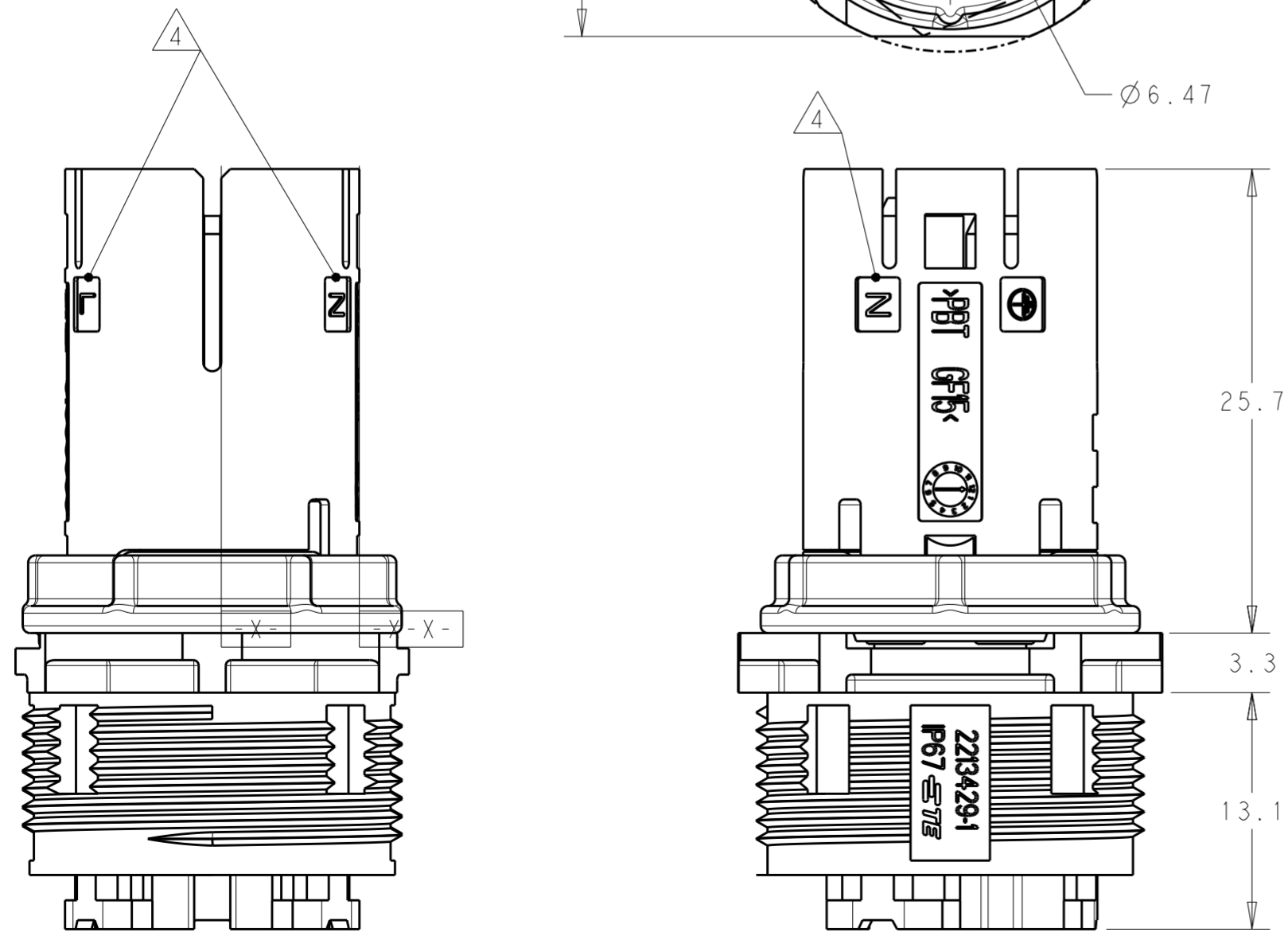
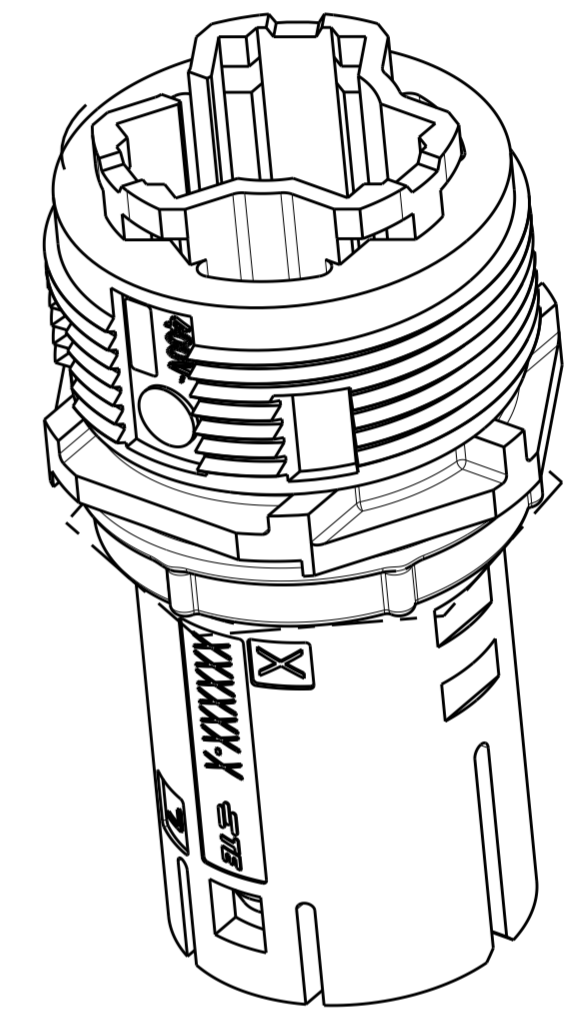
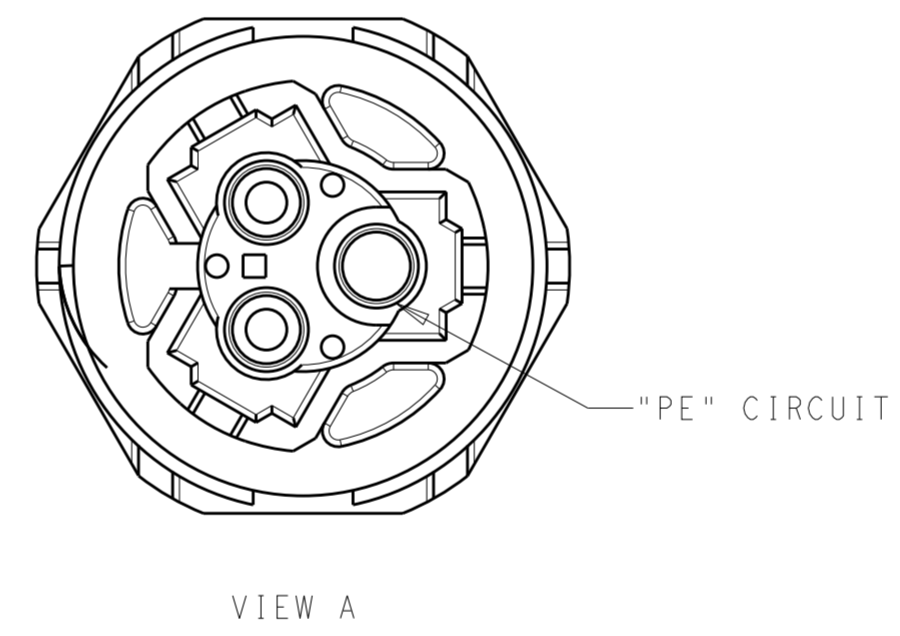
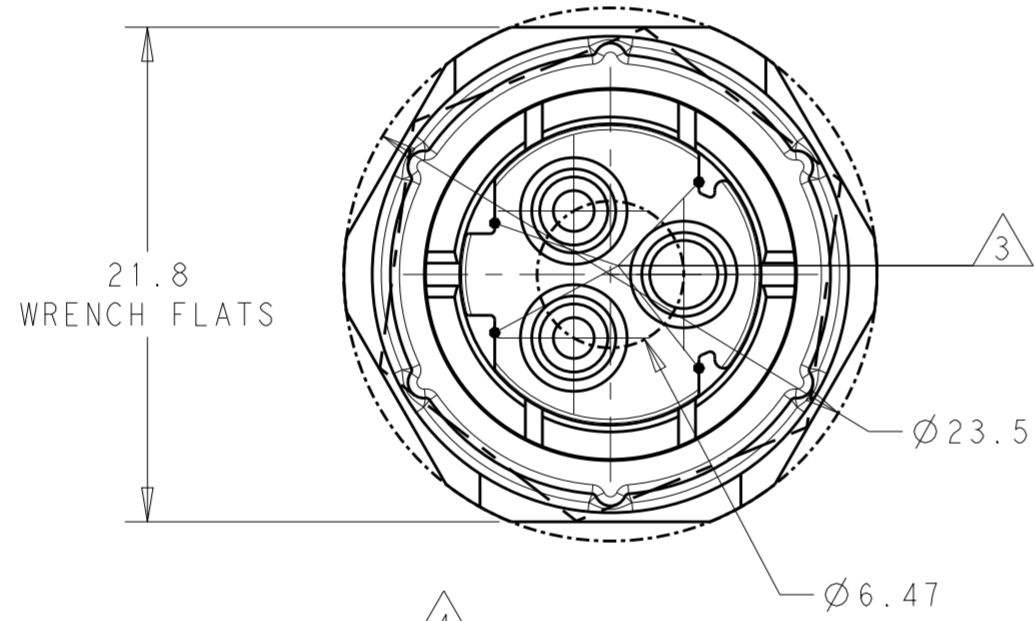


REVISIONS				
P	LTR	DESCRIPTION	DATE	APVD
	A	REVISED AS PER ECR-15-005925	21APR2015	RS JL



- NOTES:
1. MATERIAL: GLASS FILLED PBT, COLOR: BLACK
 2. MUST COMPLY WITH DIRECTIVE 2002/95/EC (ROHS)
 3. ALL POLARIZATION KEYS SHOWN FOR REF ONLY.
 4. CIRCUIT I.D.
 5. VOLTAGE RATING
 6. TE LOGO
 7. THIS PRODUCT HAS NOT COMPLETED VALIDATION TESTING

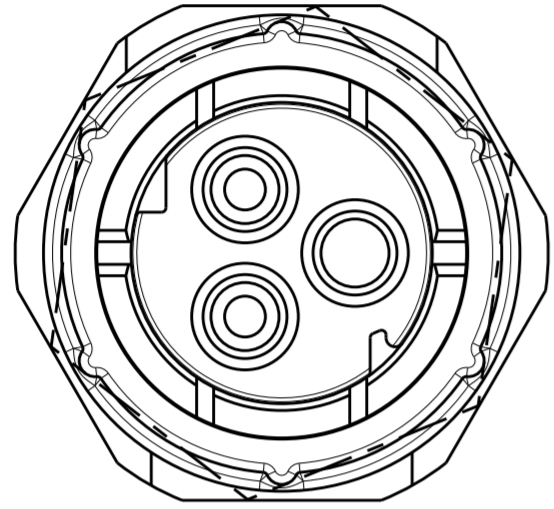
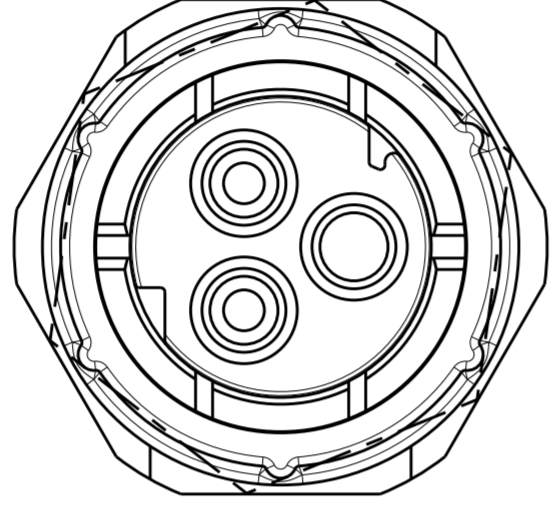
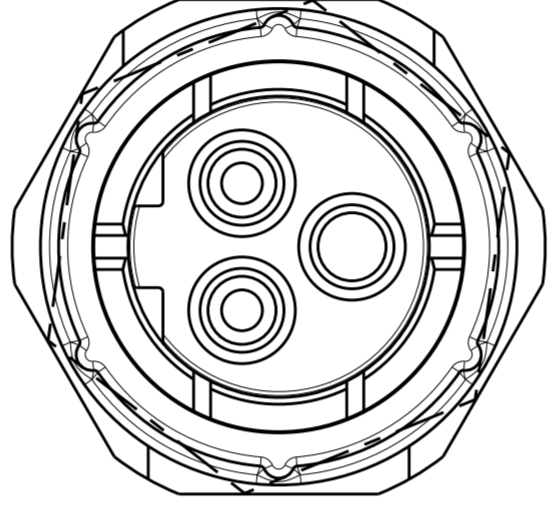



POLARIZATION TYPE	DESCRIPTION	PART NUMBER
C	FREE HANGING SOCKET SEALED NECTOR 3 POSITION	2213428-3
B	FREE HANGING SOCKET SEALED NECTOR 3 POSITION	2213428-2
A	FREE HANGING SOCKET SEALED NECTOR 3 POSITION	2213428-1

THIS DRAWING IS A CONTROLLED DOCUMENT.		DWN J. SHAFFER 24MAR2014	TE Connectivity															
		CHK M. LUKSIC 24MAR2014																
		APVD M. LUKSIC 24MAR2014	NAME FREE HANGING, SOCKET SEALED NECTOR M 3 POSN															
DIMENSIONS: mm		TOLERANCES UNLESS OTHERWISE SPECIFIED:	PRODUCT SPEC 108-133014															
<table border="0"> <tr><td>0 PLC</td><td>±</td></tr> <tr><td>1 PLC</td><td>±0.2</td></tr> <tr><td>2 PLC</td><td>±0.13</td></tr> <tr><td>3 PLC</td><td>±</td></tr> <tr><td>4 PLC</td><td>±</td></tr> <tr><td>ANGLES</td><td>±3°</td></tr> <tr><td>FINISH</td><td>-</td></tr> </table>		0 PLC	±	1 PLC	±0.2	2 PLC	±0.13	3 PLC	±	4 PLC	±	ANGLES	±3°	FINISH	-	APPLICATION SPEC 114-32111	RESTRICTED TO -	
0 PLC	±																	
1 PLC	±0.2																	
2 PLC	±0.13																	
3 PLC	±																	
4 PLC	±																	
ANGLES	±3°																	
FINISH	-																	
MATERIAL TBD		WEIGHT -	SIZE A2	CAGE CODE -														
		Customer Drawing	DRAWING NO. C-2213428	SCALE 2:1 SHEET 1 OF 2 REV A														

THIS DRAWING IS UNPUBLISHED. RELEASED FOR PUBLICATION 20
 © COPYRIGHT 20 BY - ALL RIGHTS RESERVED.

REVISIONS				
P	LTR	DESCRIPTION	DATE	APVD
-		SEE SHEET 1	-	-

POLARIZATION TYPES		
POLARIZATION TYPE "A"	POLARIZATION TYPE "B"	POLARIZATION TYPE "C"
		
PN 2213428-1	PN 2213428-2	PN 2213428-3

THIS DRAWING IS A CONTROLLED DOCUMENT.		DWN J. SHAFFER 24MAR2014	 TE Connectivity	
DIMENSIONS: mm		CHK M. LUKSIC 24MAR2014		
TOLERANCES UNLESS OTHERWISE SPECIFIED: 0 PLC ± 1 PLC ±0.2 2 PLC ±0.13 3 PLC ± 4 PLC ± ANGLES ±3° FINISH -		APVD M. LUKSIC 24MAR2014	NAME FREE HANGING, SOCKET SEALED NECTOR M 3 POSN	
MATERIAL TBD		PRODUCT SPEC 108-133014	SIZE A2	CAGE CODE -
		APPLICATION SPEC 114-32111	DRAWING NO G-2213428	RESTRICTED TO -
		WEIGHT -	SCALE 2:1	SHEET 2 OF 2
		Customer Drawing	REV A	