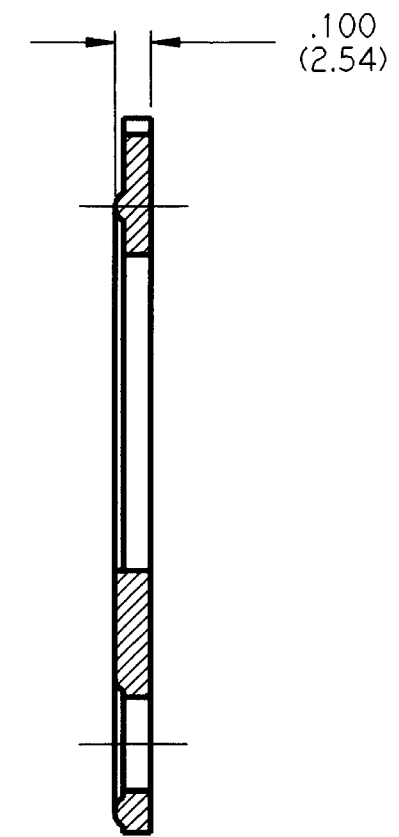
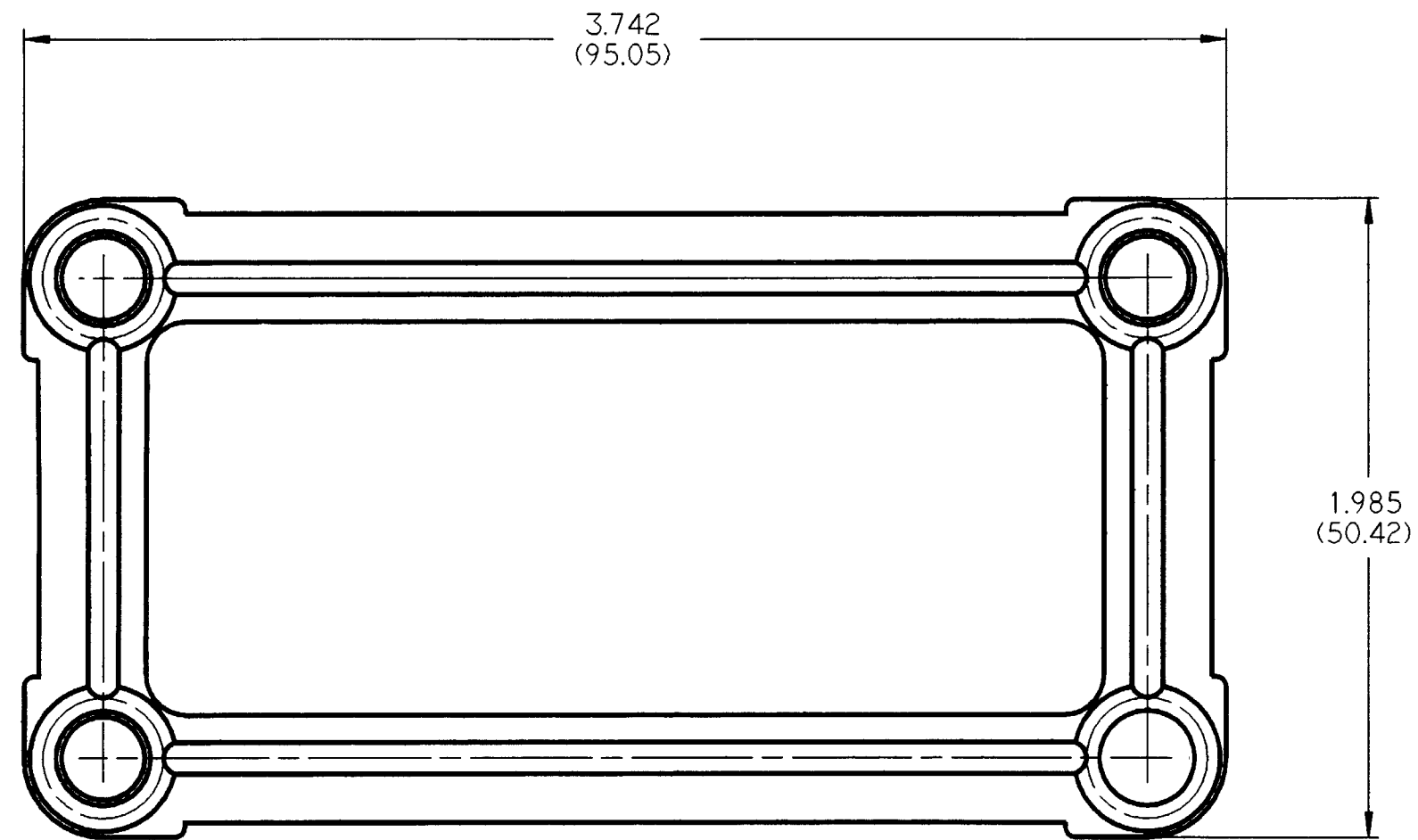


REV  
A 0513-014-4006

REVISIONS			
SYM	DESCRIPTION	DATE	APPROVED
NC	NEW RELEASE PER E.O. A14774	12/13/94	R.R.
A	REVISED PER E.O. P15040	4-5-96	RDR



SECTION A-A.

NOTES:  
 1. ALL DIMENSIONS ARE FOR REFERENCE ONLY.  
 2. ALL DIMENSIONS ARE INCHES (METRIC).

SIGNATURE & DATE	
DR	C. WOODRUFF 26 APR 96
CHK	
PE	<i>[Signature]</i>
APPD	R. Reed 4-5-96
SCALE	NONE WT

**FLANGE SEAL  
FOR 40 PIN 90° RCPT.  
DRC SERIES.**

ENVELOPE

CP	MATL CODE
<b>The Deutsch Company</b> DEUTSCH I.P.D. 37140 INDUSTRIAL AVE. HEMET, CALIF. 92343	
<b>B 0513-014-4006</b>	
DWG SIZE	CODE 11139 SHEET 1 OF 1