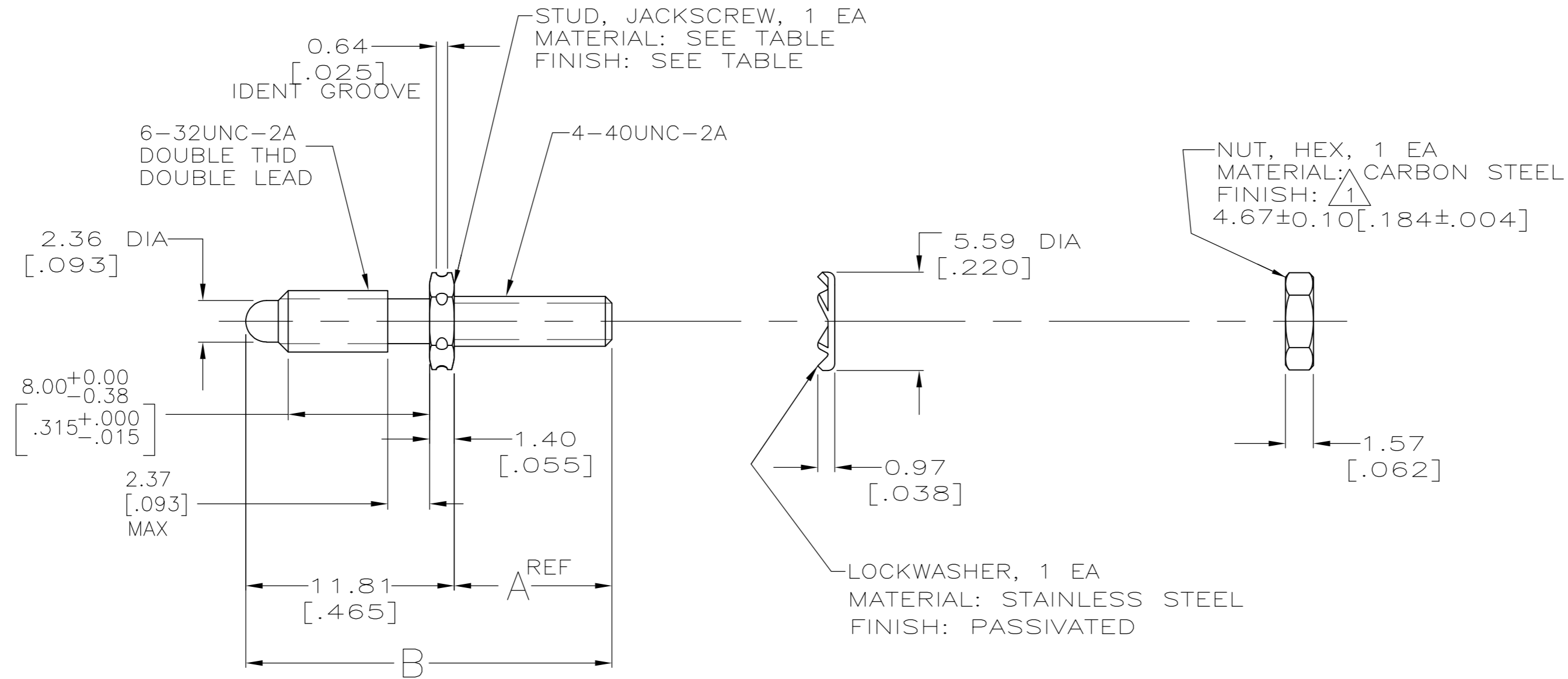


THIS DRAWING IS UNPUBLISHED. RELEASED FOR PUBLICATION
 © COPYRIGHT BY TYCO ELECTRONICS CORPORATION. ALL INTERNATIONAL RIGHTS RESERVED.

LOC	DIST	REVISIONS					
FT	0	P	LTR	DESCRIPTION	DATE	DWN	APVD
		AG		REVISED PER ECO-10-021995	12JAN11	HMR	MC

 ZINC PLATE



	-	STAINLESS STL	20.62 [.812]	8.81 [.347]	1-200874-2
	-	STAINLESS STL	23.80 [.937]	11.99 [.472]	200874-3
SUPERCEDED TO 200874-1	ZINC	CARBON STEEL	20.62 [.812]	8.81 [.347]	200874-2
SUPERCEDED TO 1-200874-2	-	STAINLESS STL	20.62 [.812]	8.81 [.347]	200874-1
FINISH	MATERIAL	B	A	PART NUMBER	
JACKSCREW STUD					

THIS DRAWING IS A CONTROLLED DOCUMENT.		DWN C.OBERMAN 02/25/92	Tyco Electronics Corporation Harrisburg, PA 17105-3608		
DIMENSIONS: mm [INCHES]		CHK R.STONE 2-28-92	NAME JACKSCREW KIT, UNASSEMBLED, STUD, FIXED, M SERIES		
TOLERANCES UNLESS OTHERWISE SPECIFIED:		APVD -	PRODUCT SPEC -	APPLICATION SPEC -	RESTRICTED TO -
MATERIAL SEE CALLOUT		FINISH SEE CALLOUT	WEIGHT -	SIZE A2	CAGE CODE 00779
CUSTOMER DRAWING			SCALE 4:1	SHEET 1 OF 1	REV AG