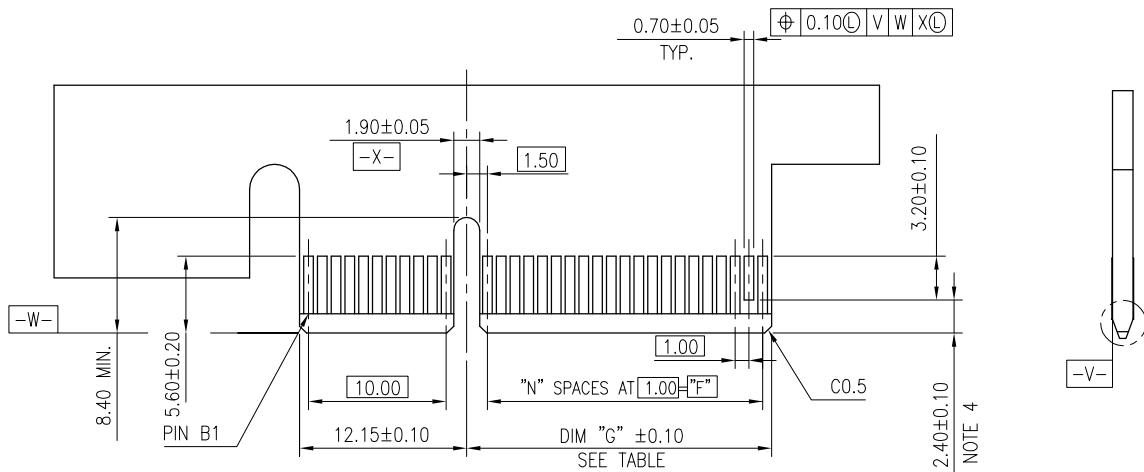




Amphenol
FCI

© 2016 AFCI

| | | | | | | | | | | |
|-------------|----------------|----------------|------------|---------------------------------------|----------|------------|----------|----------------------------|------------------|------|
| mat'l. code | | surface 58 | | tolerance | | projection | | product family | | |
| - | | ISO 1302 | | ISO 406 ISO | | 101 | | PCI_EXPRESS | | |
| ltr | ecn no | dr | date | tolerances unless otherwise specified | | | title | | | |
| J | ELX-DG-14311 | WL | 2013/03/21 | angles | .X±.3 | | MM | PCI_EXPRESS_CARD_EDGE_GEN3 | | |
| K | ELX-DG-16269 | ST | 2013/11/13 | | linear | .XX±.20 | | ASSEMBLY(SMT) | | |
| L | ELX-DG-21161-1 | ST | 2015/05/27 | 0°±2° | | XXX±.10 | | scale 1 | | |
| M | ELX-DG-24164 | ZH | 2016/06/01 | dr | STONE_LI | 2015/05/27 | dwg no | | sheet 1 of 6 | size |
| N | ELX-DG-25671-1 | ZH | 2016/12/19 | engr | STONE_LI | 2015/05/27 | 10061913 | | A4 | |
| P | ELX-DG-27937 | ZH | 2017/09/12 | chr | / | / | type | | CUSTOMER Drawing | |
| | | | | appd | PM_ZHENG | 2015/05/27 | | | | |
| sheet index | | revision sheet | | P | | | | | | |



I/O PANEL DIRECTION
PRIMARY (COMPONENT) SIDE



I/O PANEL DIRECTION
SECONDARY (SOLDER) SIDE

| # | POS | REF. | N | DIM "G" | DIM "F" | "F" |
|-----|-----|------|----|---------|---------|-----|
| 36 | 6 | | 6 | 8.15 | 6.00 | B17 |
| 64 | 20 | | 20 | 22.15 | 20.00 | B31 |
| 98 | 37 | | 37 | 39.15 | 37.00 | B48 |
| 164 | 70 | | 70 | 72.15 | 70.00 | B81 |

ADD-IN CARD EDGE-FINGER DIMENSIONS

| | | | | | | | | | | |
|-------------|----------|------------|------|---------------------------------------|------------|------------|--------|----------------|---------------------------------------------|------|
| mat'l. code | | surface 58 | | tolerance | | projection | | product family | | |
| - | | ISO 1302 | | ISO 406 ISO 101 | | | | PCI_EXPRESS | | |
| ltr | ecn no | dr | date | tolerances unless otherwise specified | | | | title | | |
| | | | | angles | .X±.2 | | | | PCI_EXPRESS_CARD_EDGE_GEN3 ASSEMBLY(SMT) | |
| | | | | linear | .XX±.13 | | | | | |
| | | | | 0°±2° | XXX±.05 | | | | | |
| | | | dr | STONE_LI | 2015/05/27 | | dwg no | | sheet 2 of 6 | size |
| | | | enr | STONE_LI | 2015/05/27 | | | | 10061913 | A4 |
| | | | chr | / | / | | | | | |
| | | | appd | PM_ZHENG | 2015/05/27 | | type | | CUSTOMER Drawing | |
| sheet index | revision | P | | | | | | | | |
| | sheet | | | | | | | | | |

Amphenol FCI

© 2016 AFCI

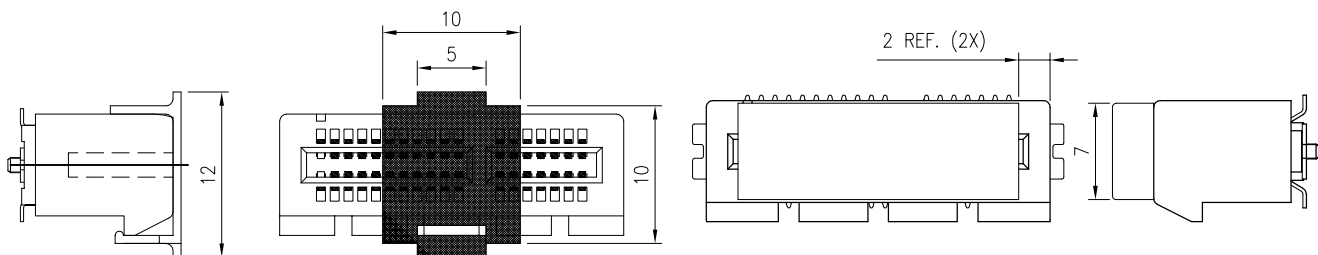


RECOMMENDED PCB LAYOUT, PAD TYPE

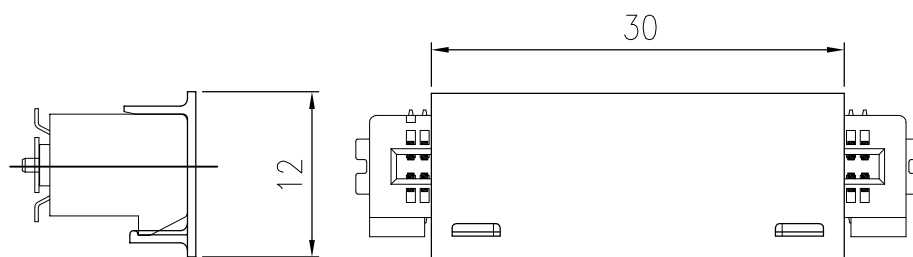
| DIMENSIONS | | | | | | | | |
|------------|-------|----------------------------------------------------------|--------------|--------------|--------------|--------------|-------|--------------|
| POSITION | A | B $\begin{smallmatrix} +0.15 \\ -0.05 \end{smallmatrix}$ | C ± 0.20 | D ± 0.23 | E ± 0.20 | H ± 0.10 | J | K ± 0.10 |
| 36 | 6.00 | 7.65 | 9.15 | 25.00 | 27.00 | 28.00 | 6.00 | 9.15 |
| 64 | 20.00 | 21.65 | 23.15 | 39.00 | 41.00 | 42.00 | 20.00 | 23.15 |
| 98 | 37.00 | 38.65 | 40.15 | 56.00 | 58.00 | 59.00 | 37.00 | 40.15 |
| 164 | 70.00 | 71.65 | 73.15 | 89.00 | 91.00 | 92.00 | 70.00 | 73.15 |

POSTION OF CAP

POSTION OF DUMMY CARD



POSTION OF CUSTOMIZED CAP(30X12)



Amphenol FCI

© 2016 AFCI

| | | | | | | | | | |
|--------------------|--|------------|--|--------------------------------------------------------------|--|----------------|--|------------------------------------------|--|
| mat'l. code | | | | surface $\frac{58}{1302}$ tolerance $\frac{58}{406}$ ISO 101 | | product family | | PCI_EXPRESS | |
| ltr ecn no dr date | | | | tolerances unless otherwise specified | | title | | PCI_EXPRESS_CARD_EDGE_GEN3 ASSEMBLY(SMT) | |
| | | | | angles linear | | MM | | scale 2 | |
| | | | | 0°±2' | | | | dwg no sheet 3 of 6 size | |
| | | | | dr STONE_LI 2015/05/27 | | 10061913 | | A4 | |
| | | | | engr STONE_LI 2015/05/27 | | type | | CUSTOMER Drawing | |
| | | | | chr / / | | | | | |
| | | | | appd PM_ZHENG 2015/05/27 | | | | | |
| sheet index | | revision P | | | | | | | |
| | | | | | | | | | |

NOTES:

1.MATERIAL:

HOUSING: NYLON, GLASS FILLED UL94V-0 RATE, SUITABLE FOR I.R SOLDERING.

TERMINAL: COPPER ALLOY

PLATING: 50u" NICKEL UNDERPLATE ALL OVER CONTACT AREA PLATING - SEE PRODUCT NUMBER CODE SOLDER TAIL: TIN 100u" OVER 50u" NICKEL

METAL PADS: COPPER ALLOY FINISH: 100u" TIN OVER 50u" NICKEL

2.PRODUCT SPECIFICATION: GS-12-390

③THE HORIZONTAL AXIS FOR THE PAD PATTERN IS ESTABLISHED BY A LINE THROUGH THE CENTER OF THE TWO Ø1.0 HOLES. THE VERTICAL AXIS IS 90° TO THE HORIZONTAL AXIS, THROUGH THE CENTER OF DATUM [Z-]

④NO TIE BAR PERMITTED FROM CARD EDGE TO LEADING EDGE OF PAD FOR PINS A1.

⑤CHAMFER EDGES MUST BE FREE OF CUTTING BURRS.

6.RoHS COMPATIBLE PRODUCT SPECIFICATIONS

a - PLATING:

- "LF" MEANS THE PRODUCT IS LEAD-FREE

b - MANUFACTURING PROCESS COMPATIBILITY

- THE HOUSING WILL WITHSTAND EXPOSURE TO 260°C±5°C PEAK TEMPERATURE FOR 5 SECONDS IN A CONVECTION, INFRA-RED OR VAPOR PHASE REFLOW OVEN.

7.A ΔSYMBOL WILL BE NEXT TO ANY DIMENSION, VIEW, OR NOTE WHICH HAS BEEN MODIFIED WITH CURRENT DRAWING REVISION.



POSITION OF MYLAR

PRODUCT NUMBER CODE

10061913-X X X X L F LEAD FREE

HOUSING COLOR OPTIONS

- 0-WHITE
1-BLACK

PACKAGING OPTIONS

- T-TRAY PACKAGING WITHOUT CAP
C-TRAY PACKAGING WITH CAP
N-TRAY PACKAGING WITH MYLAR
G-TRAY PACKAGING WITH DUMMY CARD
V-TRAY FOR VACUUM PACKAGING
R-TAPE & REEL PACKAGING WITHOUT CAP OR MYLAR (FOR 36P & 64P ONLY)
P-TAPE & REEL PACKAGING WITH CAP (FOR 36P & 64P & 98P ONLY)
Q-TAPE & REEL PACKAGING WITH CAP (CUSTOMIZED FOR 98P ONLY)
M-TAPE & REEL PACKAGING WITH MYLAR (FOR 36P & 64P & 98P ONLY)
J-TAPE & REEL PACKAGING(24MM PITCH) WITH MYLAR (FOR 98P & 164P ONLY)
U-REEL FOR VACUUM PACKAGING
A-44MM WIDTH TAPE&REEL PACKING WITH MYLAR(FOR 36P ONLY)
Y-HARD TRAY (338x234 FOR 36P, 98P & 164P OPTION ONLY)
Z-HARD TRAY (338x234)WITH MYLAR (FOR 36P, 98P & 164P OPTION ONLY)
B-HARD TRAY (338x234)WITH CAP (FOR 36P, 98P & 164P OPTION ONLY)
H-CUSTOMIZED HARD TRAY (330x235x19.3)WITH 30mm CAP (FOR 98 & 164P ONLY)
D-SMALLER HARD TRAY WITH CHAMFER AT LEFT-BOTTOM SIDE (323x136x19) WITH 30mm CAP (FOR 164P ONLY) Δ

TERMINAL PLATING OPTIONS

- 0-50u" Ni UNDERPLATE
30u" Au CONTACT AREA
100u" TIN TAIL AREA ----- COMPATIBLE RoHS
1-50u" Ni UNDERPLATE
15u" Au CONTACT AREA
100u" TIN TAIL AREA ----- COMPATIBLE RoHS
2-50u" Ni UNDERPLATE
GOLD FLASH CONTACT AREA
100u" TIN TAIL AREA ----- COMPATIBLE RoHS
3-50u" Ni UNDERPLATE
30u" Au CONTACT AREA
GOLD FLASH TAIL AREA ----- COMPATIBLE RoHS

POS OPTIONS

- 0-36
1-64
2-98
3-164

Amphenol FCI

© 2016 AFCI

Table with columns for material code, surface, tolerance, projection, product family, title, and drawing information. Includes Amphenol FCI logo and part number 10061913.



TAPE AND REEL
 PACKING
 RECOMMENDED FOR
 36PINS ONLY

| DIMENSIONS | | | | | |
|-------------------------|-------|-------|-------|--------|--------|
| POSITIONS | A | B | C | D REF. | E REF. |
| 36 (10061913-xxxALF) | 44.00 | 40.40 | 20.20 | 44.5 | 50.5 |
| 36 | 56.00 | 52.60 | 26.30 | 56.4 | 60.4 |
| 64 | 56.00 | 52.60 | 26.30 | 56.4 | 60.4 |
| 98 | 88.00 | 79.60 | 39.80 | 88.4 | 92.4 |

Amphenol FCI

© 2016 AFCI

| | | | | | | | | | | | |
|-------------|----------------|------------|----------|---------------------------------------|--|------------|--|-------------------------------------------------|--|------------------|------|
| mat'l. code | | surface 58 | | tolerance | | projection | | product family | | | |
| - | | ISO 1302 | | ISO 406 ISO | | 101 | | PCI_EXPRESS | | | |
| ltr | ecn no | dr | date | tolerances unless otherwise specified | | | | title | | | |
| | | | | angles | | .X±.3 | | PCI_EXPRESS_CARD_EDGE_GEN3 ASSEMBLY(SMT) | | | |
| | | | | linear | | .XX±.20 | | | | | |
| | | | | 0°±2° | | XXX±.10 | | | | | |
| | | dr | STONE_LI | 2015/05/27 | | | | dwg no | | sheet 5 of 6 | size |
| | | engr | STONE_LI | 2015/05/27 | | | | 10061913 | | A4 | |
| | | chr | / | / | | | | type | | CUSTOMER Drawing | |
| sheet index | revision sheet | P | | | | | | | | | |

1 For PCI EXPRESS SMT TYPE 36P ONLY.

2. Material :

2.1 Reel :

- 2.1.1 Plastic hub : High Impact Polystyrene
- 2.1.2 Cover tape : PE
- 2.1.3 Carrier tape : ABS
- 2.2 Waterproof bag : PE
- 2.3 Desiccative : Silica Gel
- 2.4 Carton : Corrugated paper
- 2.5 Baffle : E.P.E
- 2.6 Angle paperboard : Corrugated paper

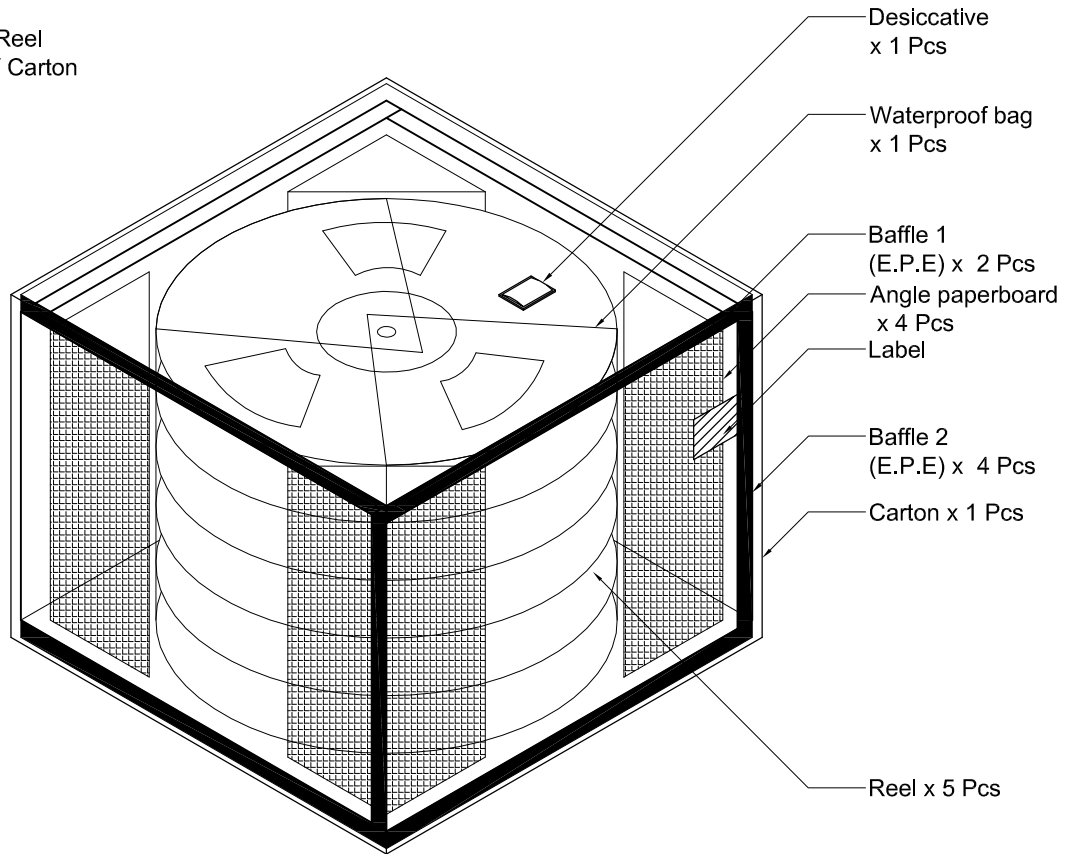
3. Dimension :

3.1 Reel :

- 3.1.1 Plastic hub : $\phi 330 \times T50.5$ mm
- 3.1.2 Cover tape : 5690(L) x 37.4(W) mm
- 3.1.3 Carrier tape : 5640(L) x 44(W)mm
- 3.2 Waterproof bag : 600(H) x 465(W) x 0.06(T) mm
- 3.3 Desiccative : 25 gram / Package
- 3.4 Carton : 380(L) x 380(W) x 300(H) mm
- 3.5 Baffle (1): 370(L) x 370(W) x 15(H) mm
- 3.6 Baffle (2): 355(L) x 252(W) x 15(H) mm
- 3.7 Angle paperboard : 252(H)

4. Quantity :

- 4.1 250 Pcs / Reel
- 4.2 1250 Pcs / Carton



Amphenol FCI

© 2016 AFCI

| | | | | | | | | | | | | |
|-------------|----------------|-----------------------|------|---------------------------------------|----------|------------|--------------|-------------------------------|------------------------------------------------------|--|------------------|--|
| mat'l. code | | surface 58/ISO 1302 ✓ | | tolerance ISO 406 ISO 101 | | projection | | product family PCI_EXPRESS | | | | |
| ltr | ecn no | dr | date | tolerances unless otherwise specified | | | | MM scale 1 | title PCI_EXPRESS_CARD_EDGE_GEN3 ASSEMBLY(SMT) | | | |
| | | | | angles | linear | .X±.3 | dwg no | | | | | |
| | | | | 0°±2° | | .XX±.20 | sheet 6 of 6 | | size | | | |
| | | | | dr | STONE_LI | 2015/05/27 | | | 10061913 | | A4 | |
| | | | | engr | STONE_LI | 2015/05/27 | | | type | | CUSTOMER Drawing | |
| | | | | chr | / | / | | | | | | |
| | | | | appd | PM_ZHENG | 2015/05/27 | | | | | | |
| sheet index | revision sheet | P | | | | | | | | | | |