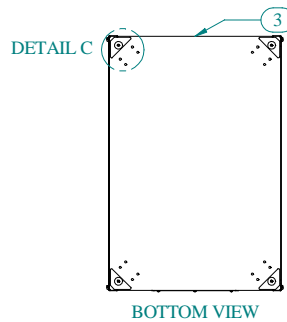
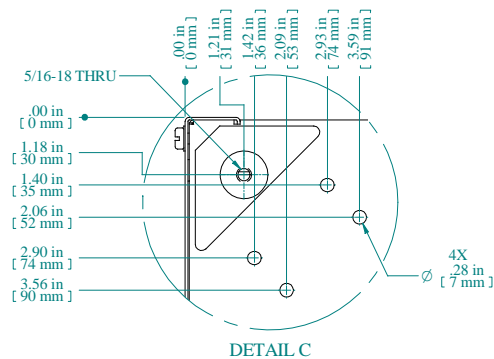


Item Number	Title	Quantity
1	REFK - TOP PANEL	1
2	REFK - SIDE PANEL	2
3	REFK - BOTTOM PANEL	1
4	REFK - GLAND PLATE	1
5	COMBINATION RAILS TAPPED (PAIR)	2
6	FLAT NYLON WASHER 1/4" ID.	8
7	SCREW 6-32X1/4 SELF TAPPING	6
8	SCREW 1/4-20 X 1/2	8
9	NUT 1/4-20 KEP	8

PART NUMBERS	
REFK1906331BK1	PAINTED BLACK TEXTURED
REFK1906331CG1	PAINTED CONT. GRAY TEXTURED
REFK1906331LG1	PAINTED RAL7035 TEXTURED
NOTES	
Shipped knockdown for handling ease & protection.	



Data subject to change without notice. Isometric drawing not to scale.



**HAMMOND  
MANUFACTURING™**  
www.hammondmfg.com  
PART NO. REFK1906331