

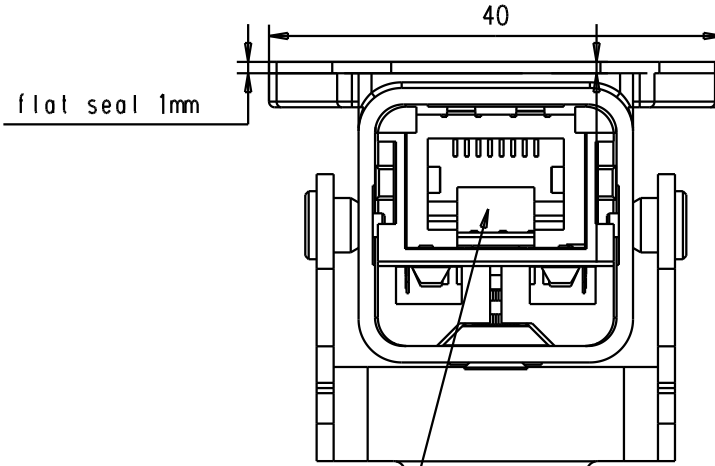
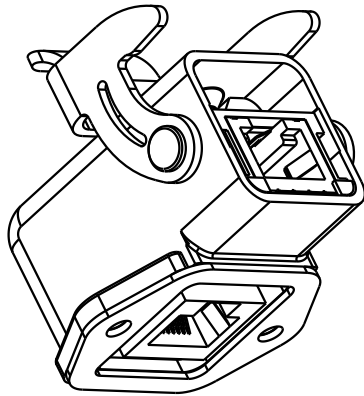
5

4

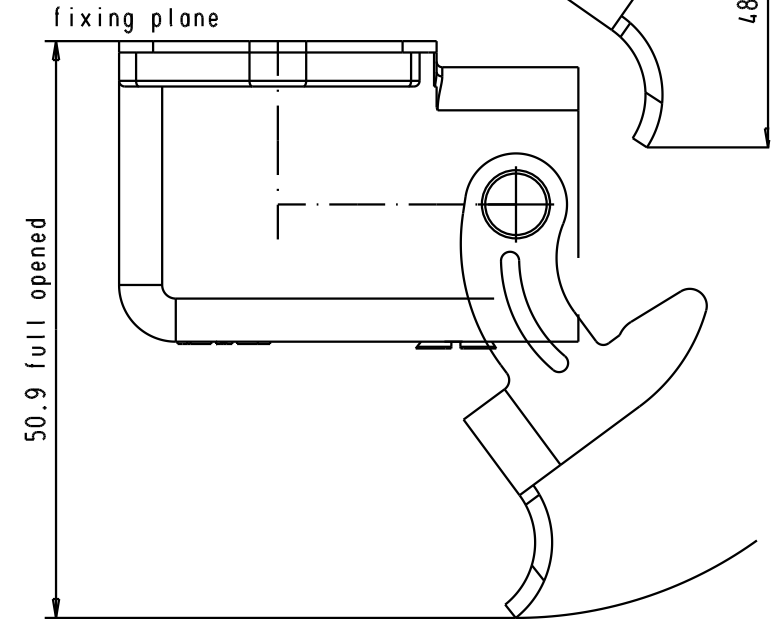
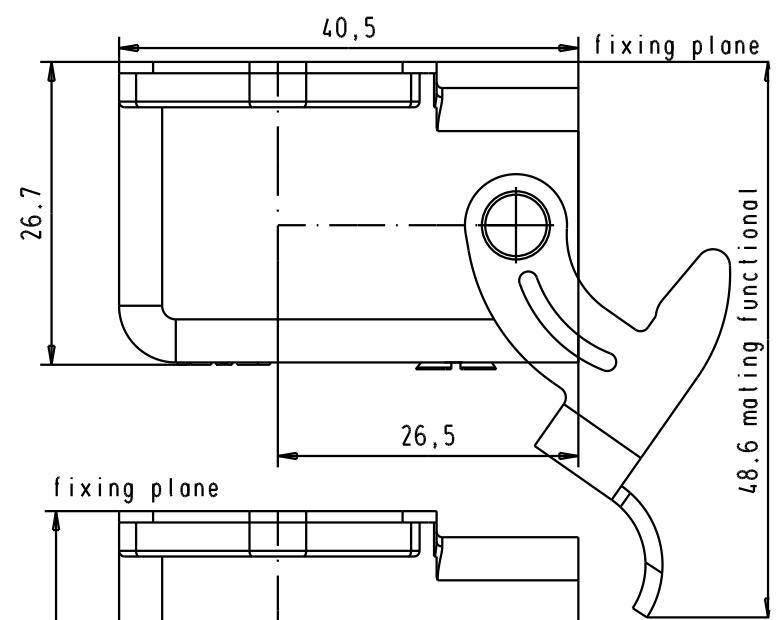
3

2

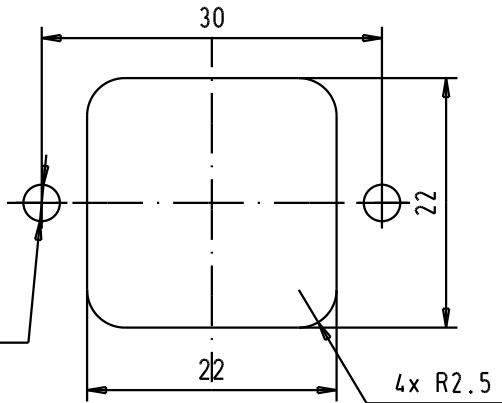
1



IEC 60603-7
SMC modular jack
12mm maxi. height
above PC-Board





recommended panel
cutout dimensions



M3 or $\phi 3.2$

compatible with
IEC 61076-3-106 variant 05

Panel feed through pitch
on panel = 41mm

						 All Dim. in mm Orig. Size DIN A 4	RJ-Industrial Han3A-M panel feed through 90 angled metal version black	Maßstab/ Scale 1.5:1
			Detail.	01/08/05	AM			
			Insp.					
			Stand.					
33083	31/08/05	AM	HARTING EURL F-95972 Paris				TB 09 45 215 1109	Blatt/ Page 1 / 1
32980	01/08/05	AM						
Mod.	Dat.	Name						

D

C

B

A