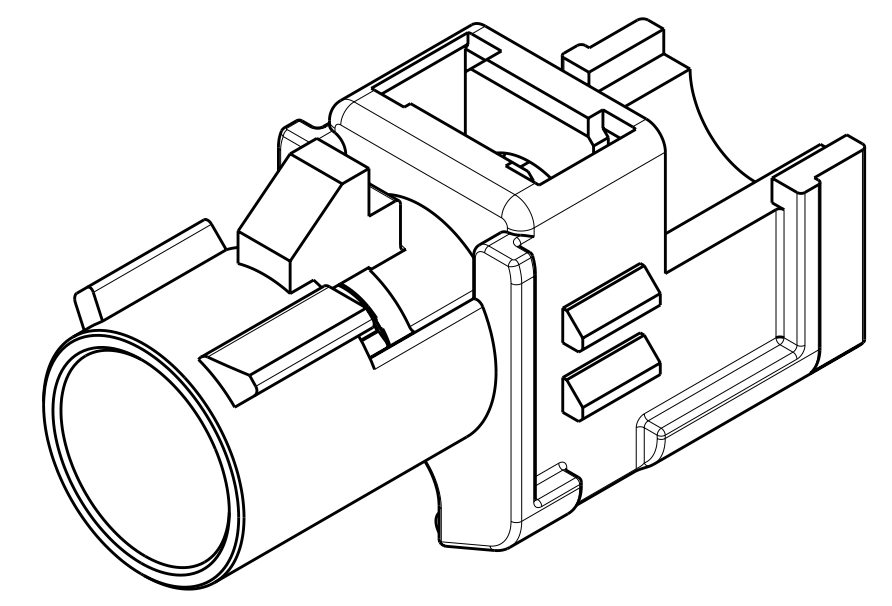
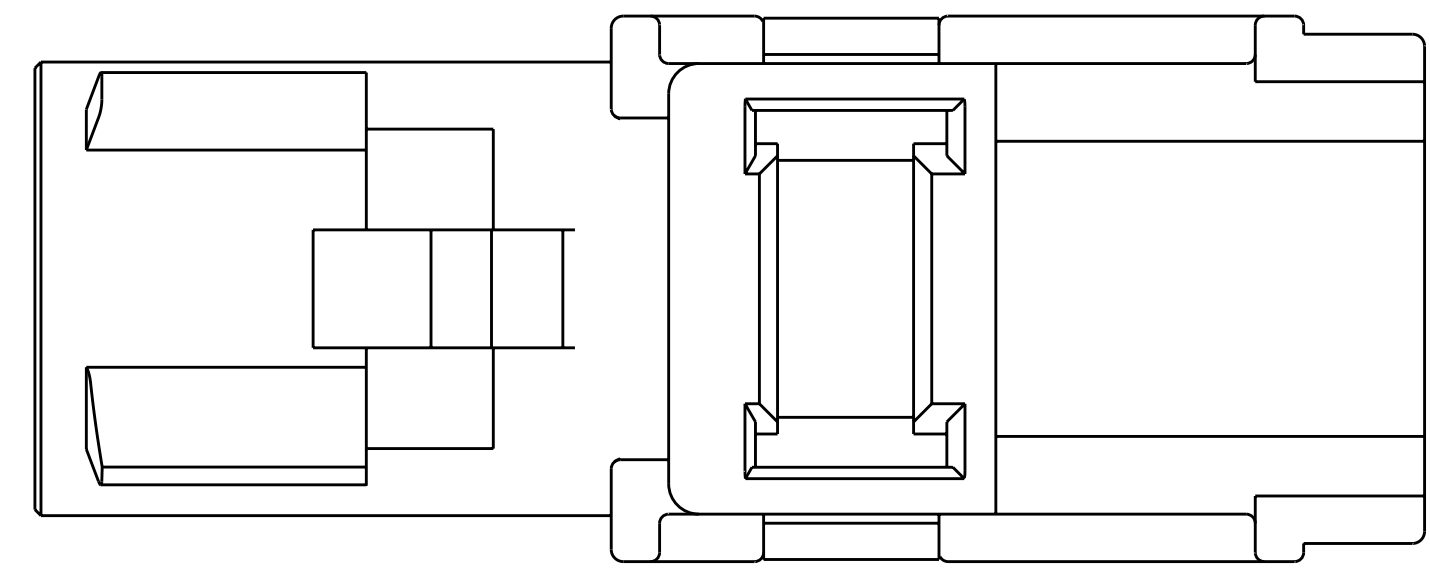
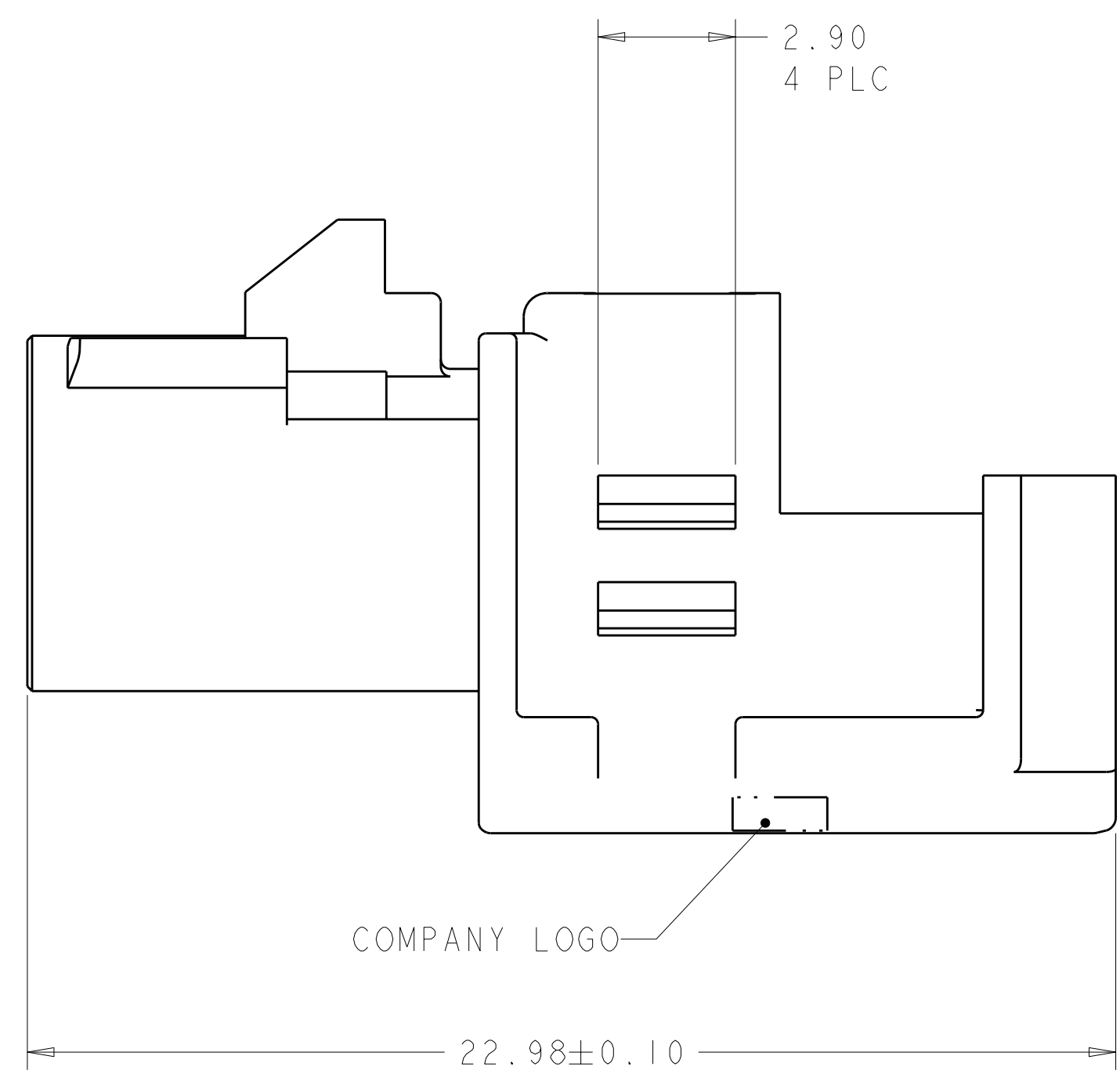
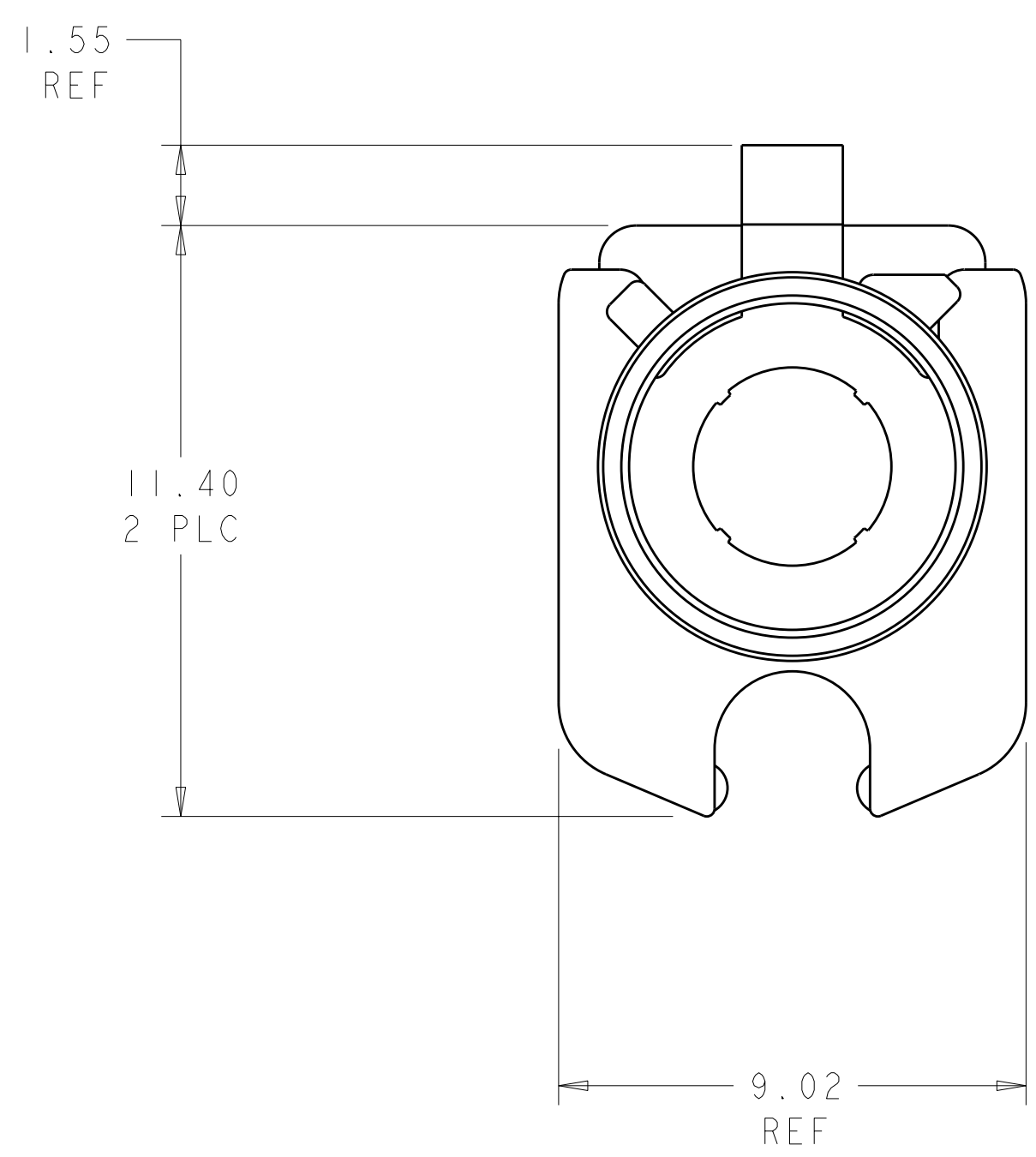


LOC	DIST	REVISIONS			
P	LTB	DESCRIPTION	DATE	DWN	APVD
0		RELEASED PER EC 0K40-0026-02	11JAN2002	LV	SM
A		REVISED PER EC 0K40-548-02	13MAY2002	DH	SLM
B		REVISED PER EC 0K40-0709-02	11JUL2002	JLM	SLM
B1		REVISED PER ECO-10-013416	28JUN2010	DLD	LLV



SCALE 5:1

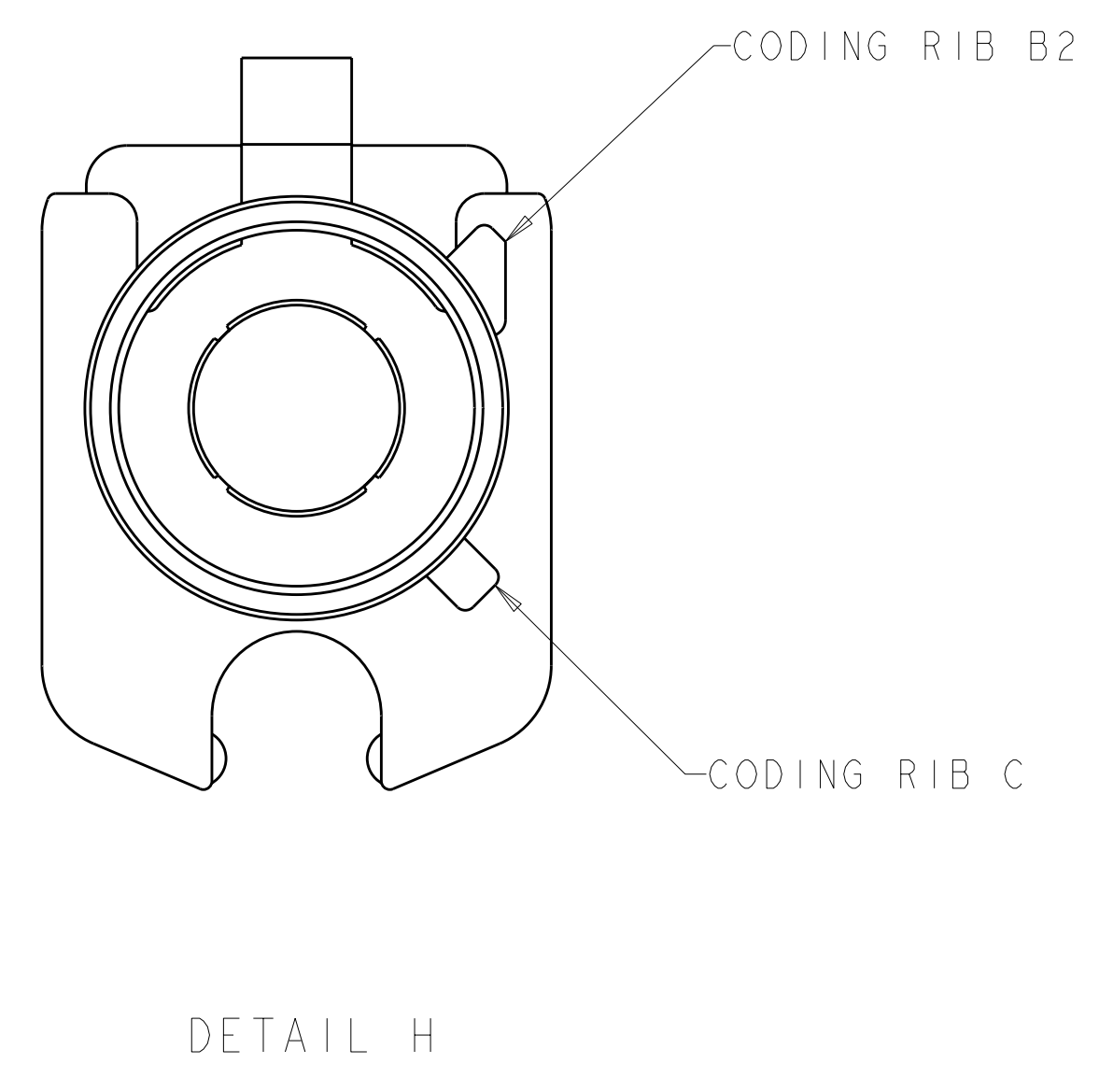
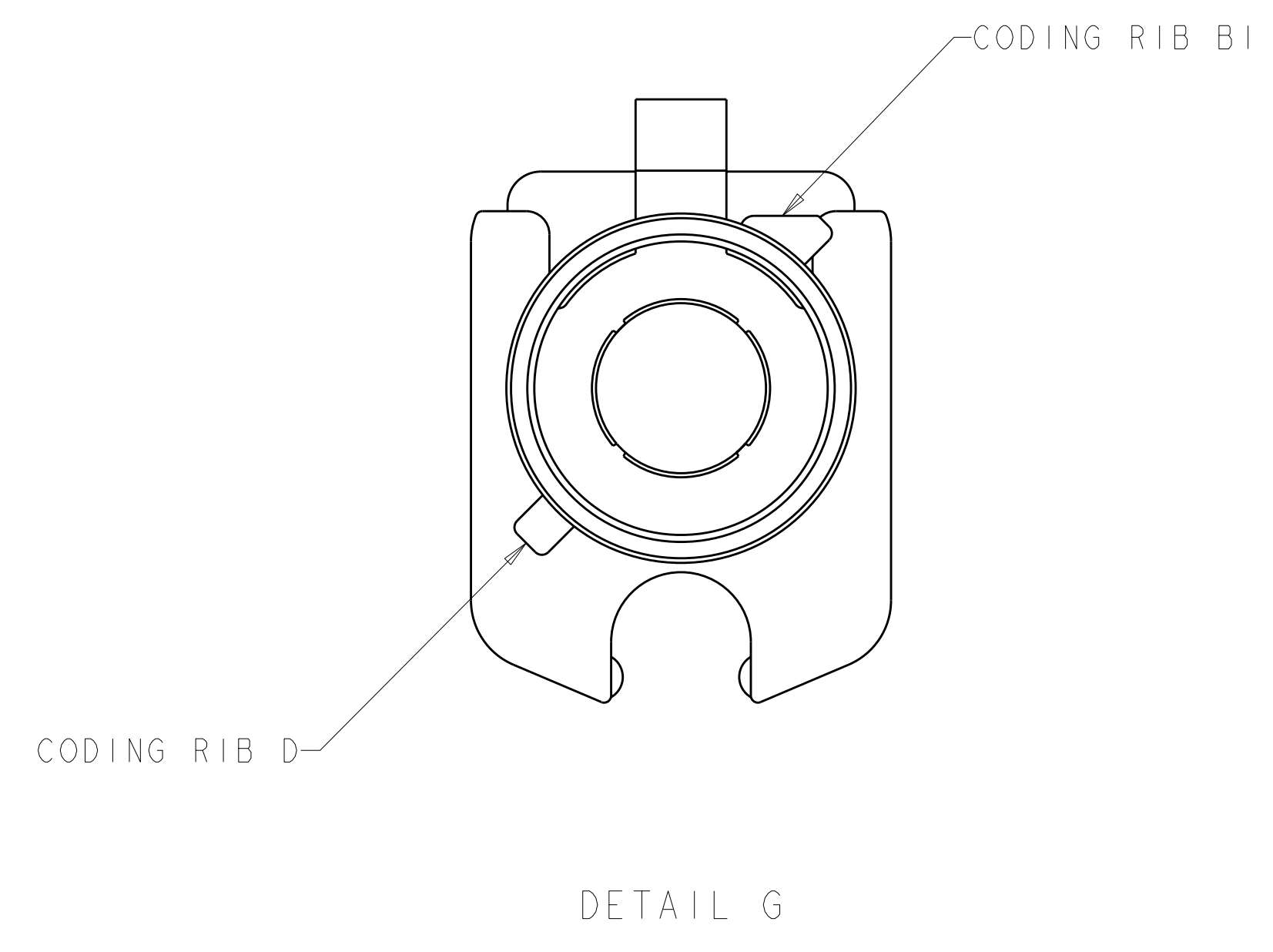
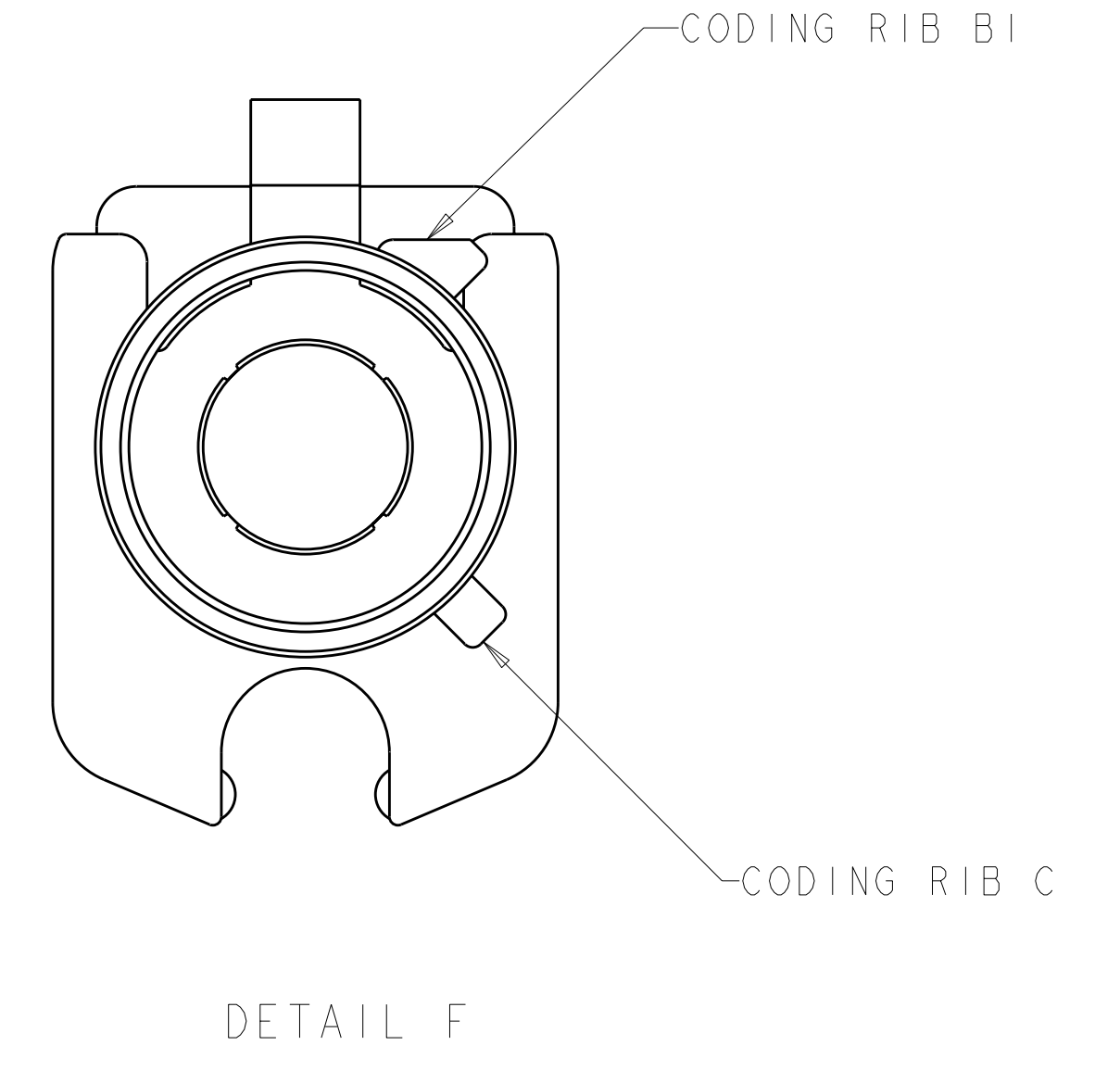
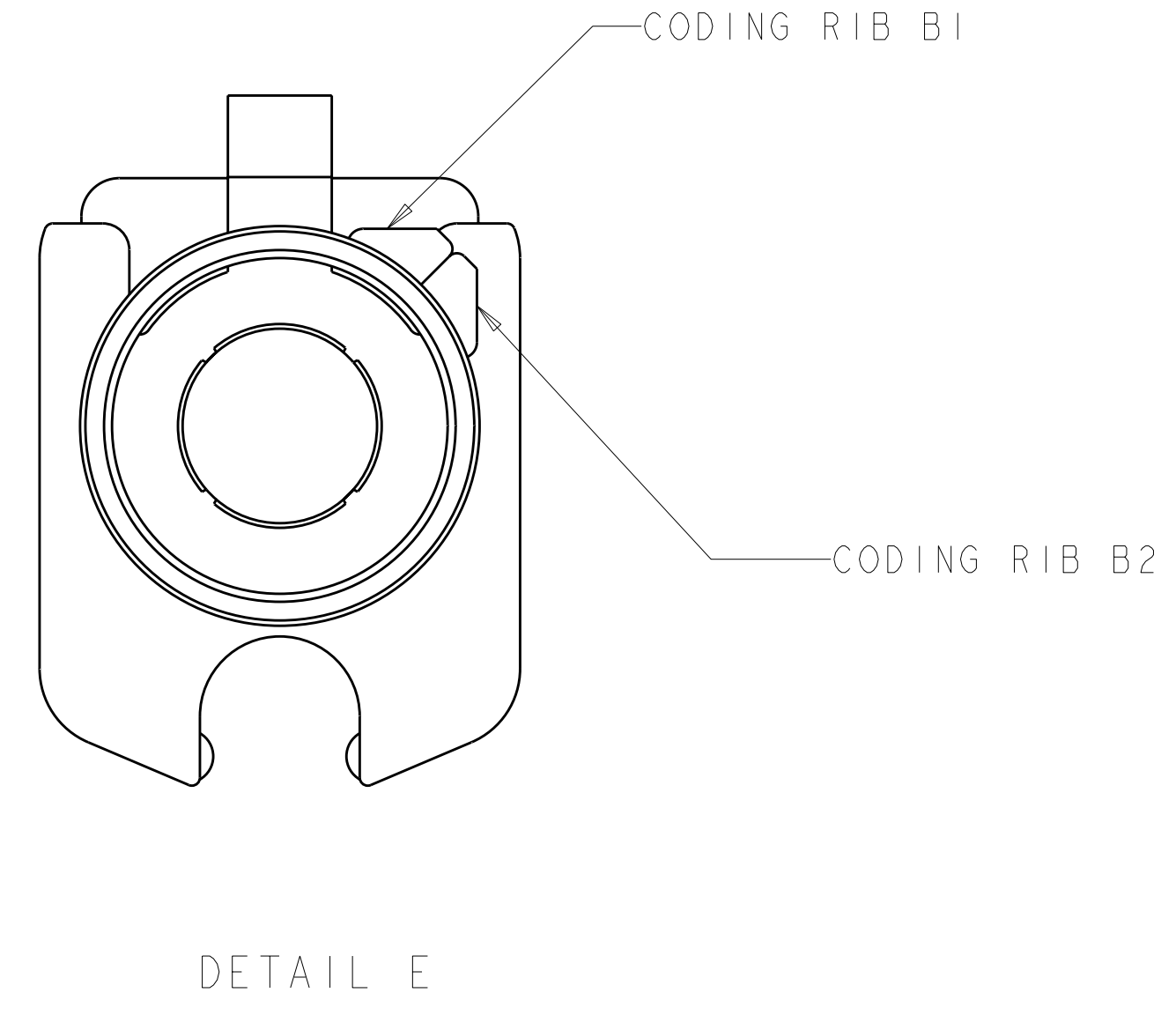
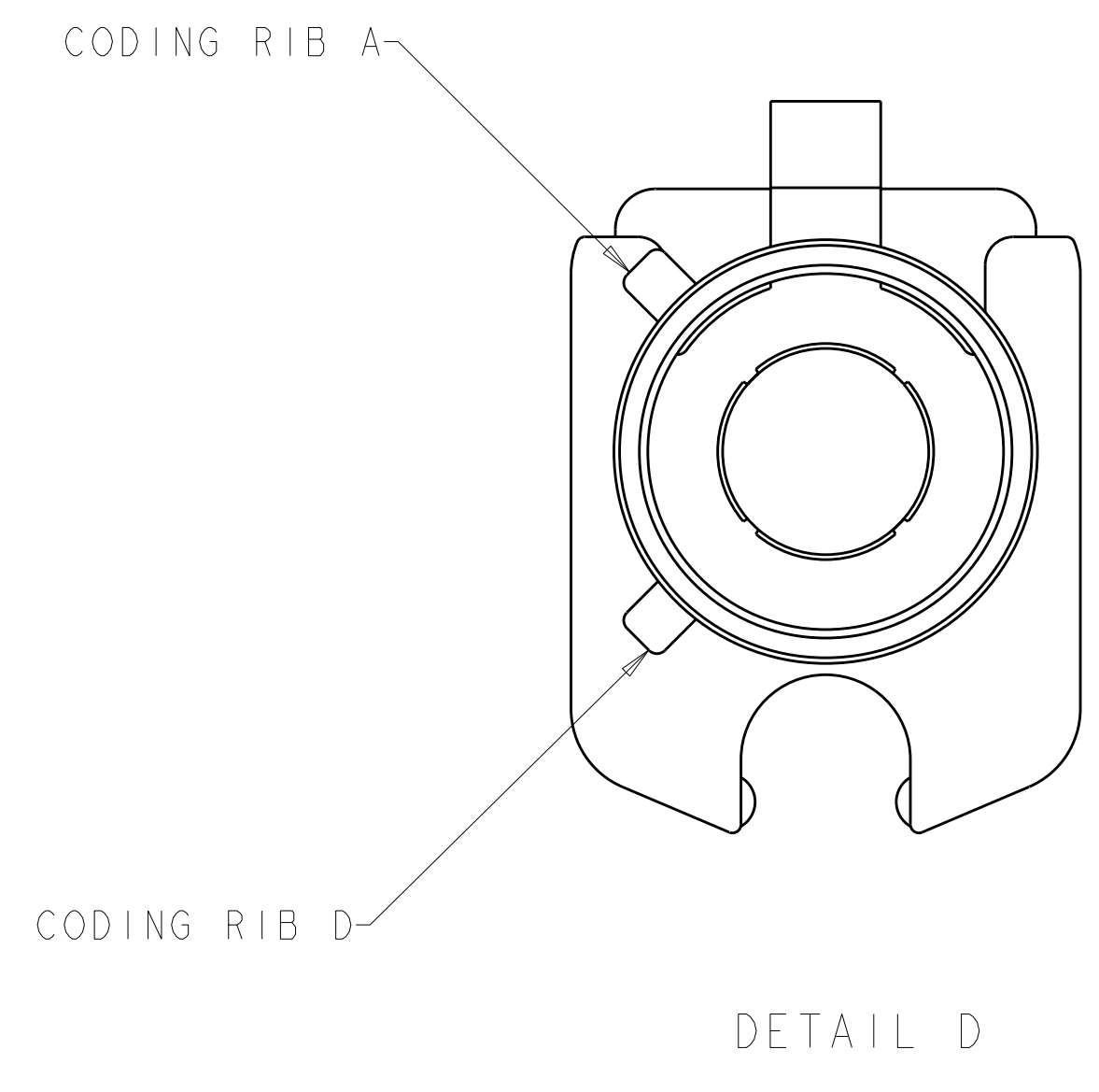
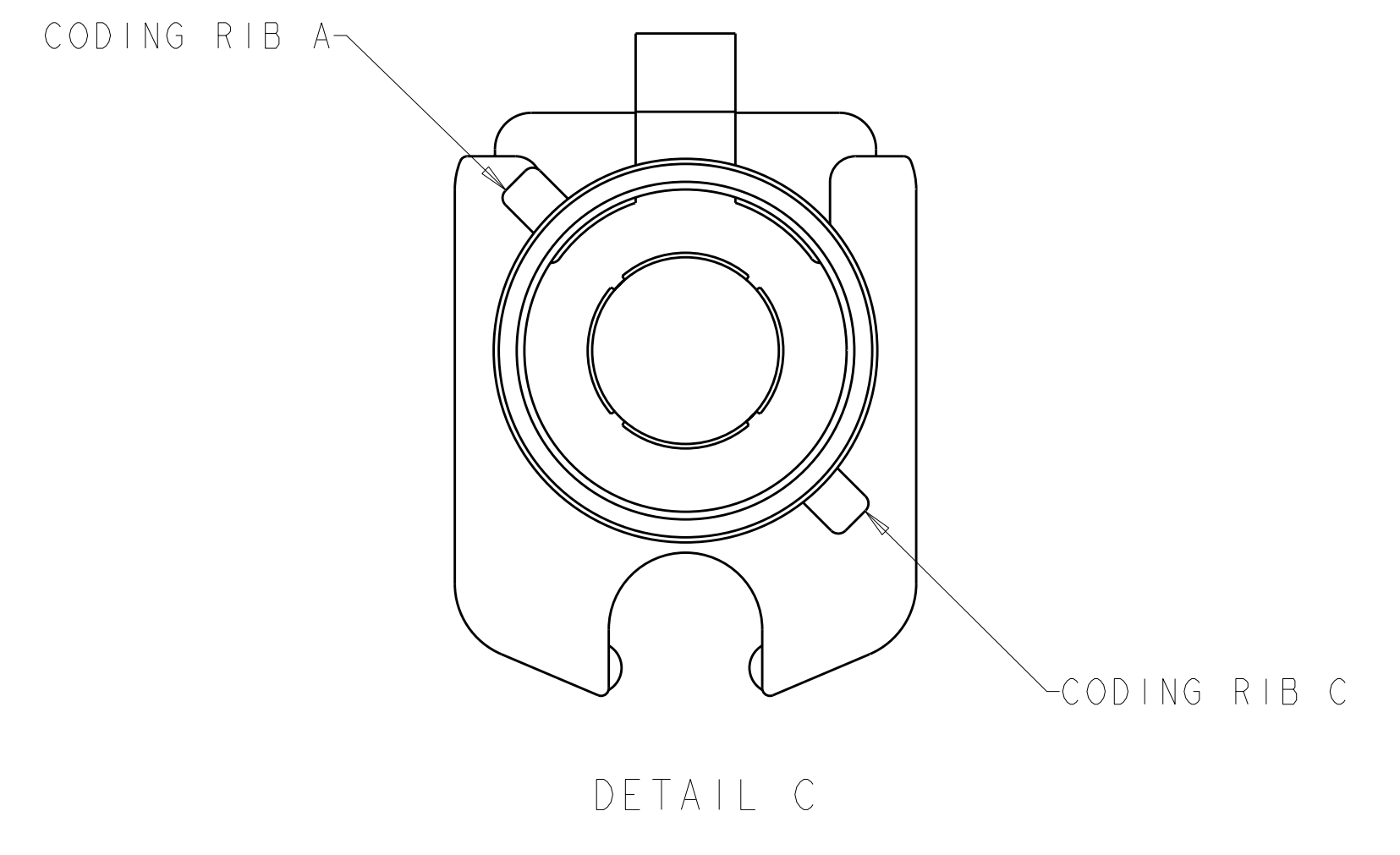
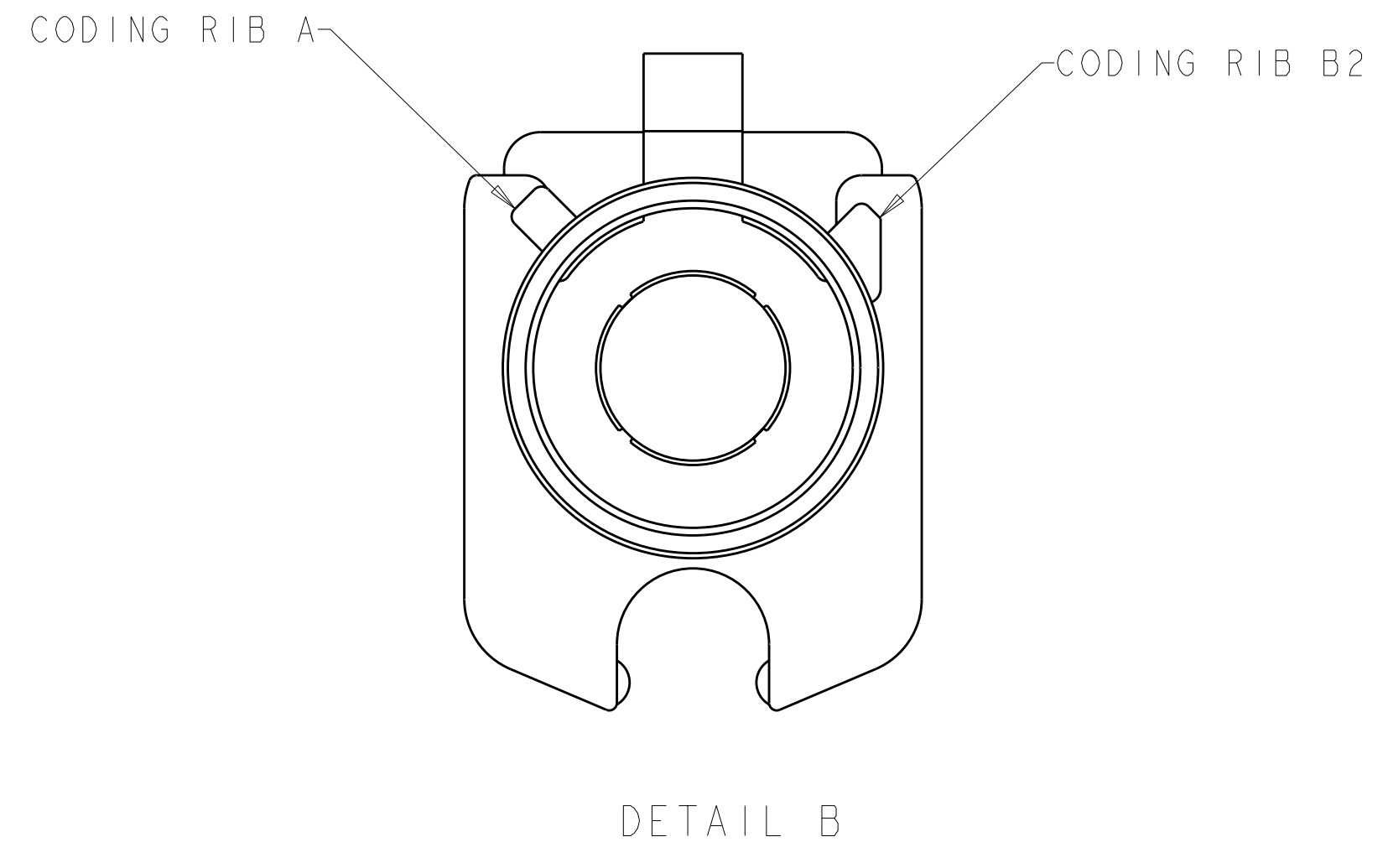
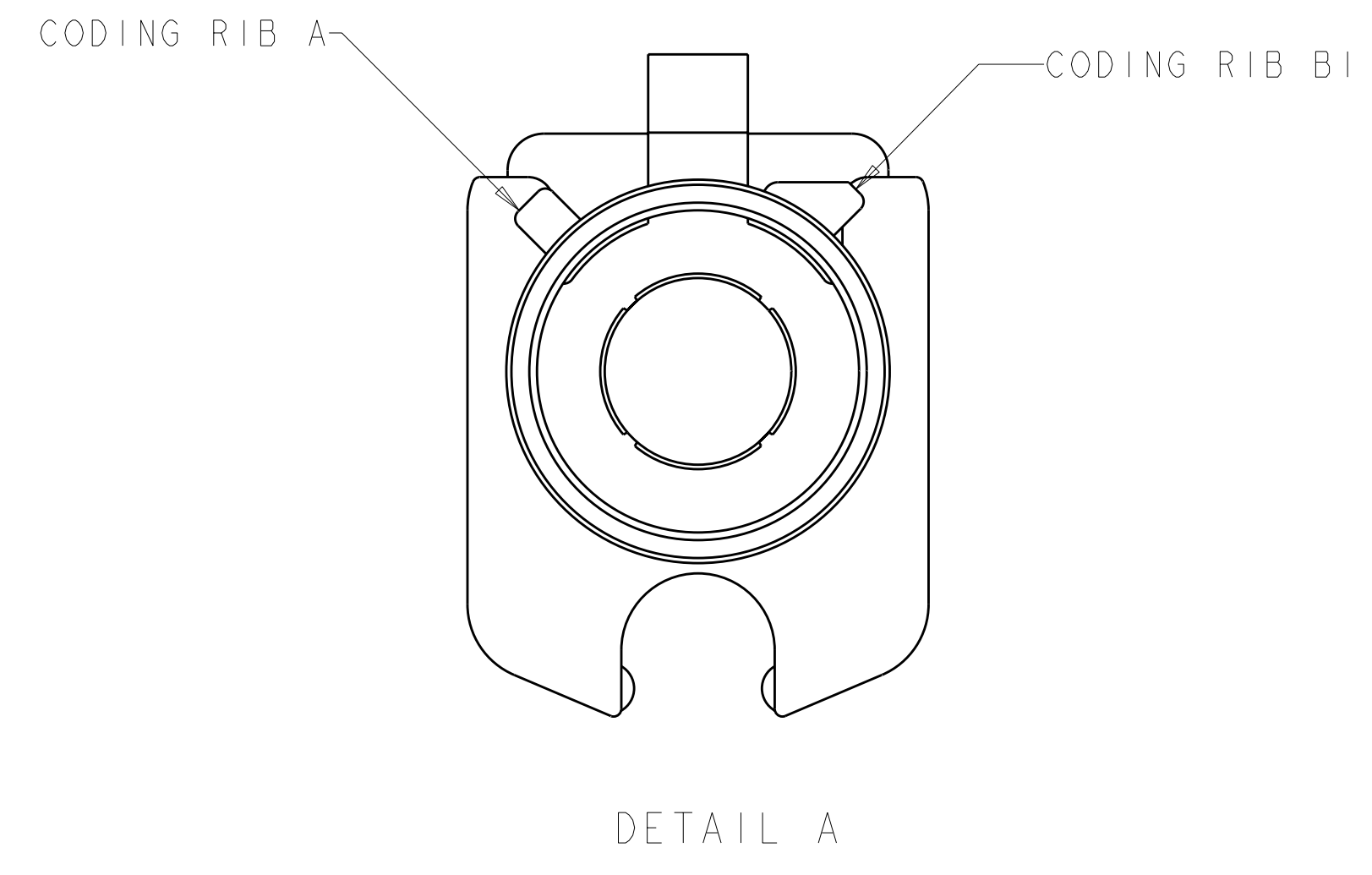


△ POLYESTER PBT, COLOR: SEE TABLE.

PER DETAIL Z	WATER BLUE	I-638827-1
PER DETAIL K	CURRY	I-638827-0
PER DETAIL I	BEIGE	638827-9
PER DETAIL H	HEATHER VIOLET	638827-8
PER DETAIL G	BLUE GREY	638827-7
PER DETAIL F	NUT BROWN	638827-6
PER DETAIL E	LEAF GREEN	638827-5
PER DETAIL D	CLARET VIOLET	638827-4
PER DETAIL C	SIGNAL BLUE	638827-3
PER DETAIL B	SIGNAL WHITE	638827-2
PER DETAIL A	JET BLACK	638827-1
KEYING	COLOR REFERENCE	PART NUMBER

DIMENSIONS: mm 		TOLERANCES UNLESS OTHERWISE SPECIFIED: 0 PLC ±0.3 1 PLC ±0.15 2 PLC ±0.15 3 PLC ±0.15 4 PLC ±0.15 ANGLES ±0.5°		DWN L. VARSIK 11JAN2002 CHK S. MANKARYOS 11JAN2002 APVD S. MANKARYOS 11JAN2002		Tyco Electronics Harrisburg, PA 17105-3608	
MATERIAL: △ FINISH: -		WEIGHT: - CUSTOMER DRAWING		NAME: JACK HOUSING, FAKRA, 1 POSITION, RG-174, 180 DEGREES, WITH CABLE CLIP, SMB SIZE: A1 CAGE CODE: 00779 DRAWING NO: C=638827		RESTRICTED TO: - SCALE: 8:1 SHEET: 1 OF 3 REV: B1	

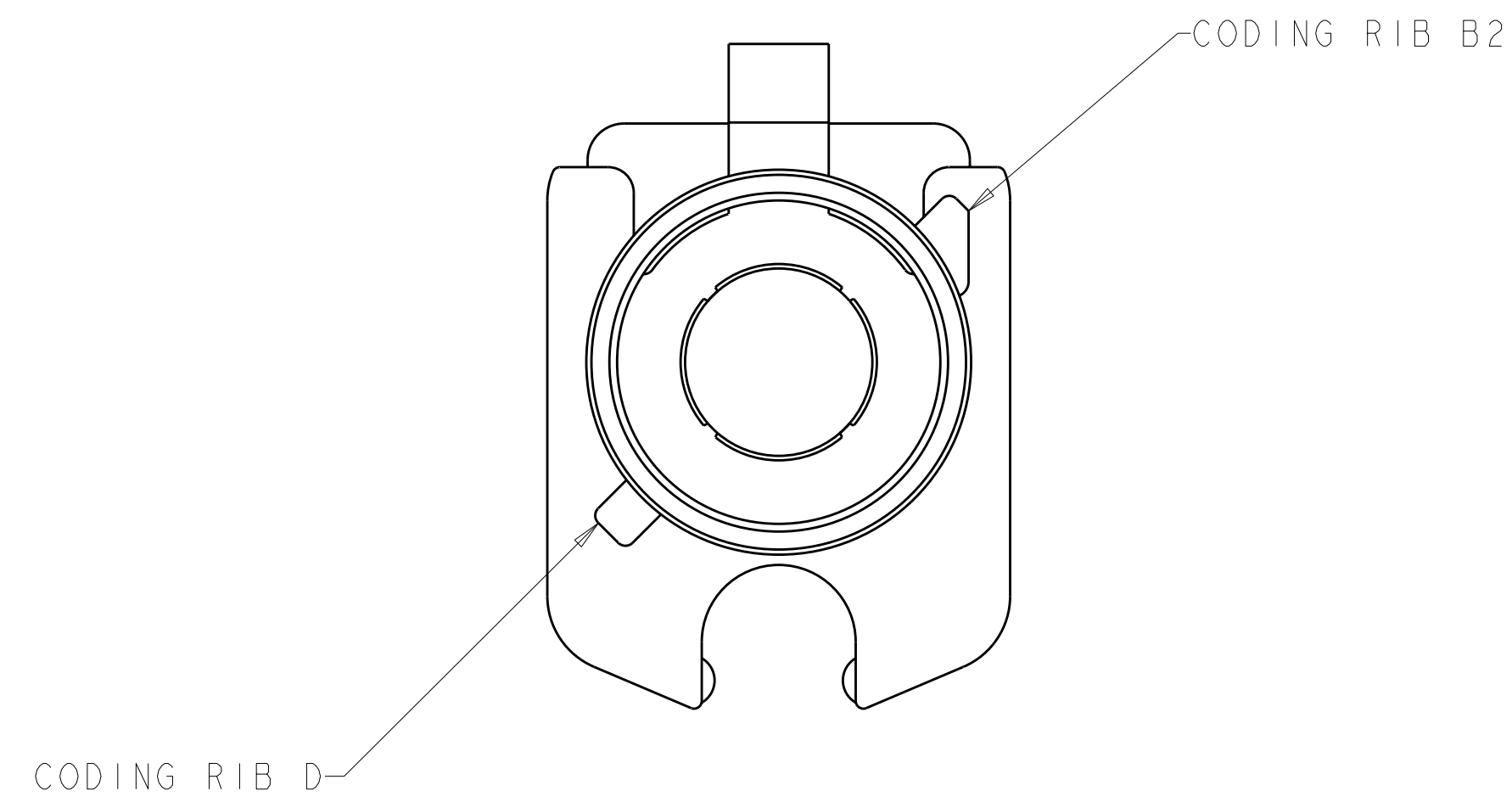
LOC	DIST	REV	DATE	BY	APPD
FX	00				
		DESCRIPTION		DATE	DWN
		SEE SHEET 1		-	-



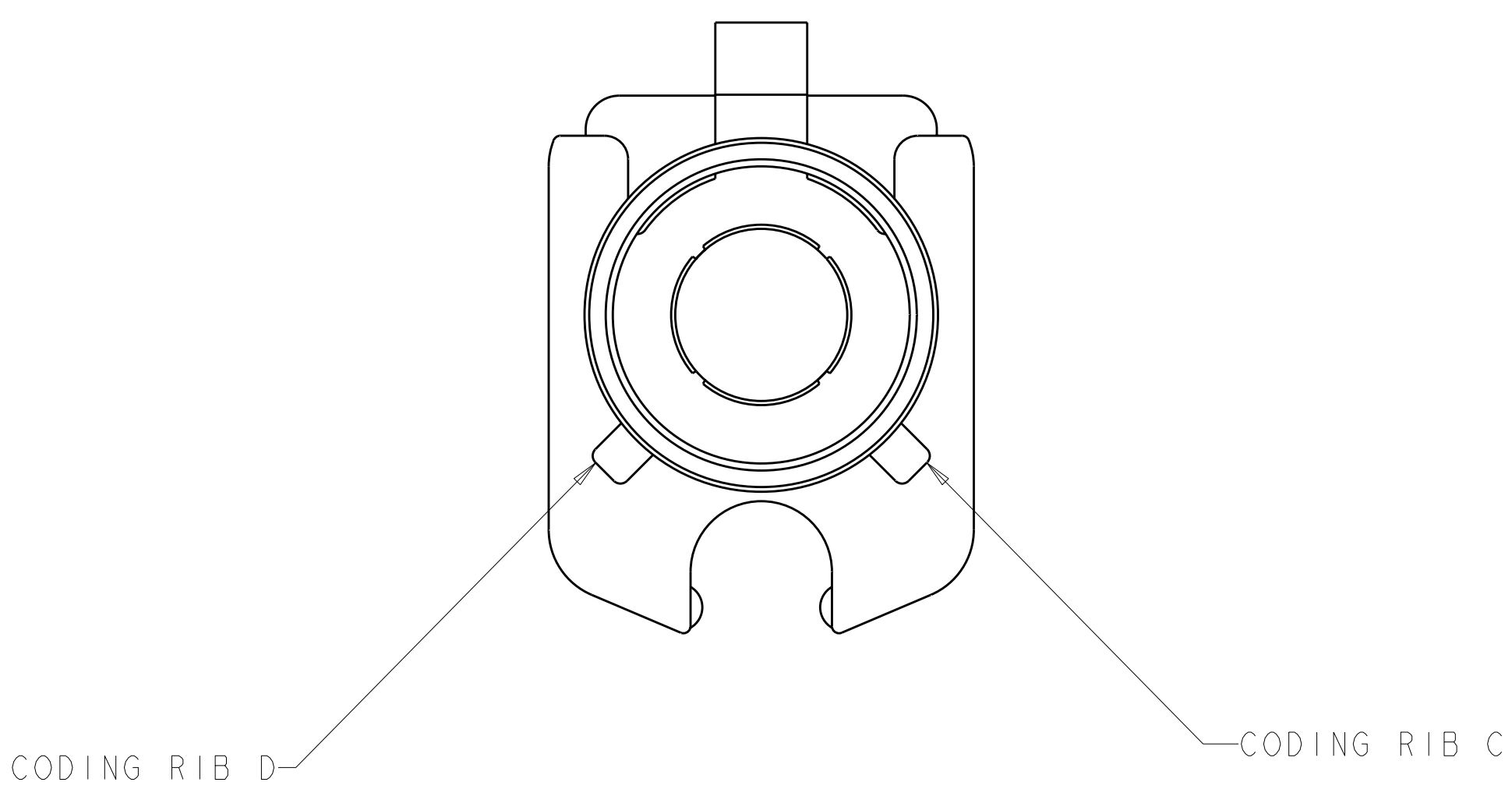
DIMENSIONS: mm 		TOLERANCES UNLESS OTHERWISE SPECIFIED: 0 PLC ± 1 PLC ±0.3 2 PLC ±0.15 3 PLC ± 4 PLC ± ANGLES ± FINISH ±		DWN L. VARSIK 11JAN2002 CHK S. MANKARYOS 11JAN2002 APVD S. MANKARYOS 11JAN2002 NAME PRODUCT SPEC APPLICATION SPEC WEIGHT CUSTOMER DRAWING		Tyco Electronics Harrisburg, PA 17105-3608 JACK HOUSING, FAKRA, 1 POSITION, RG-174, 180 DEGREES, WITH CABLE CLIP, SMB SIZE CAGE CODE DRAWING NO RESTRICTED TO A11 00779 C=638827 SCALE 8:1 SHEET 2 OF 3 REV B1	
-----------------------	--	--	--	--	--	---	--

THIS DRAWING IS UNPUBLISHED. RELEASED FOR PUBLICATION 20  
 © COPYRIGHT 20 BY TYCO ELECTRONICS CORPORATION. ALL RIGHTS RESERVED.

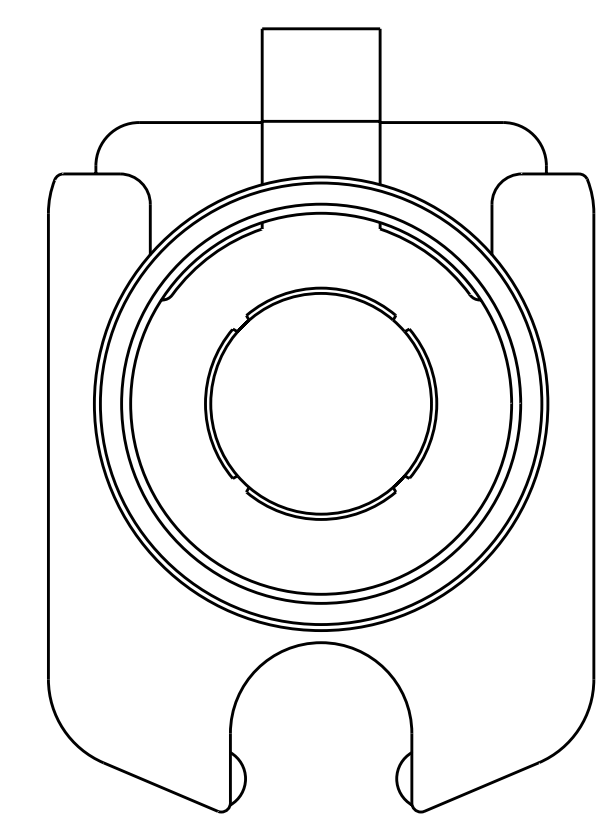
LOC	DIST	REVISIONS					
		P	LTB	DESCRIPTION	DATE	DWN	APVD
FX	00	-	-	SEE SHEET 1	-	-	-



DETAIL I



DETAIL K



DETAIL Z

<small>THIS DRAWING IS UNPUBLISHED. RELEASED FOR PUBLICATION 20. THIS IS SUBJECT TO CHANGE WITHOUT NOTICE. THE USER SHALL CONTACT THE DRAWING ORIGINATOR FOR THE LATEST REVISION.</small>		DWN: L. VARSIK 11JAN2002 CHK: S. MANKARYOS 11JAN2002 APVD: S. MANKARYOS 11JAN2002	<b>Tyco Electronics</b> Tyco Electronics Harrisburg, PA 17105-3608
DIMENSIONS: mm	TOLERANCES UNLESS OTHERWISE SPECIFIED: 0 PLC ± 1 PLC ±0.3 2 PLC ±0.15 3 PLC ± 4 PLC ± ANGLES ± FINISH	NAME: JACK HOUSING, FAKRA, 1 POSITION, RG-174, 180 DEGREES, WITH CABLE CLIP, SMB PRODUCT SPEC: APPLICATION SPEC: WEIGHT: CUSTOMER DRAWING	SIZE: A1 CAGE CODE: 00779 DRAWING NO: C-638827 RESTRICTED TO:
MATERIAL: -	FINISH: -	WEIGHT: -	SCALE: 8:1 SHEET 3 OF 3 REV: B1