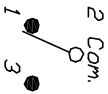


RECOMMENDED PCB LAYOUT

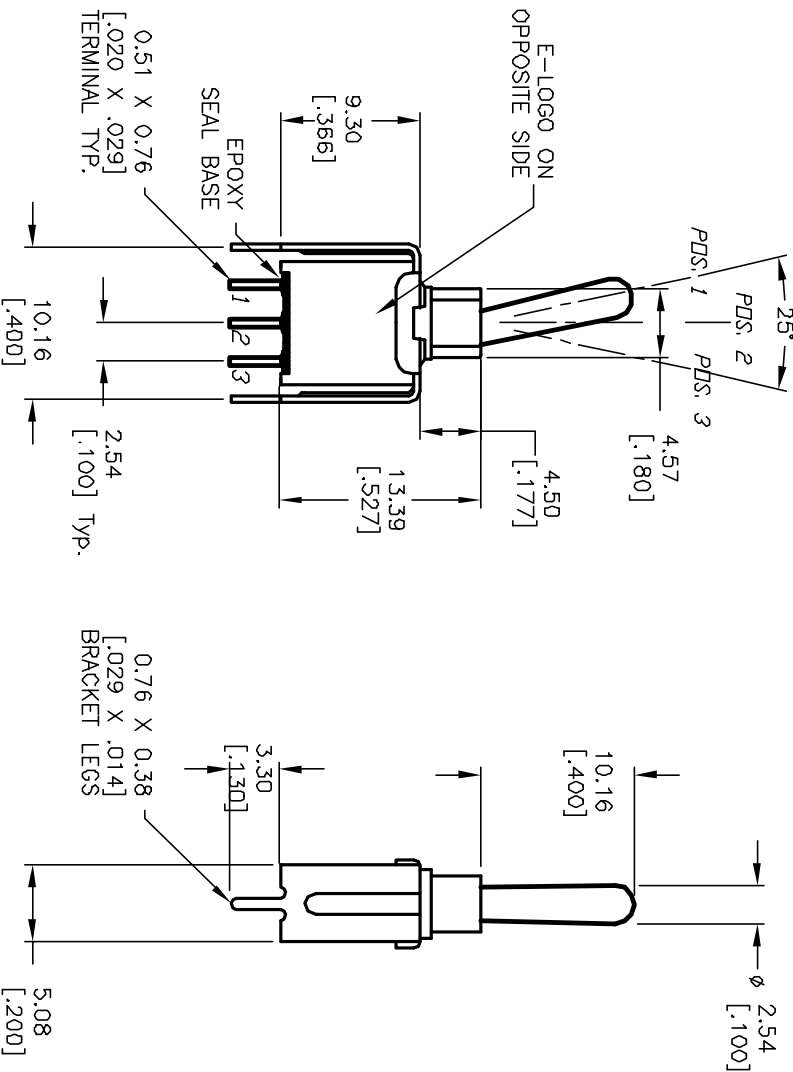
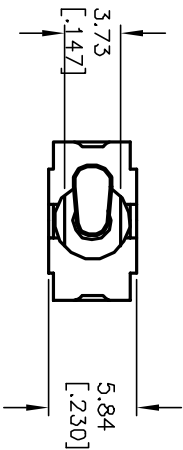


SPDI CIRCUIT CONTACT CONFIGURATION

SWITCH FUNCTION		
PDS. 1	PDS. 2	PDS. 3
DN	NONE	DN
2-3	DPEN	2-1

NOTES:

1. ALL DIMENSIONS IN MM [INCH]
2. GENERAL TOLERANCE: X.X=±0.4 X.XX=±0.25
3. TERMINAL NUMBERS FOR REF ONLY
4. RATING: 3A @120VAC or 28VDC; 1A @250VAC
5. FIXED TERM. & MOVING CONTACT: COPPER ALLOY W/SILVER PLATE.
6. ELECTRIC LIFE: 50,000 make-and-break cycles at full load.
7. INSULATION RESISTANCE: 1,000 Mega-ohm min.
8. DIELECTRIC STRENGTH: 1,000 V RMS @sed level.
9. OPERATING TEMP.: -30°C to +85°C



E-SWITCH®

200A WMSP-1 T1 A1 VS2 Q E

REV.	ECN NO.	DESCRIPTION	DATE	CHKD
B	12052	REVISED AND REDRAWN	4/10/02	CB

TITLE	SCALE	DATE	DR	DWG	REV
200A WMSP-1 T1 A1 VS2 Q E	2:1	4/10/02	CB	T201109	B

THE INFORMATION CONTAINED IN THIS DOCUMENT IS PROPRIETARY TO E-SWITCH AND IS NOT TO BE COPIED OR TRANSMITTED