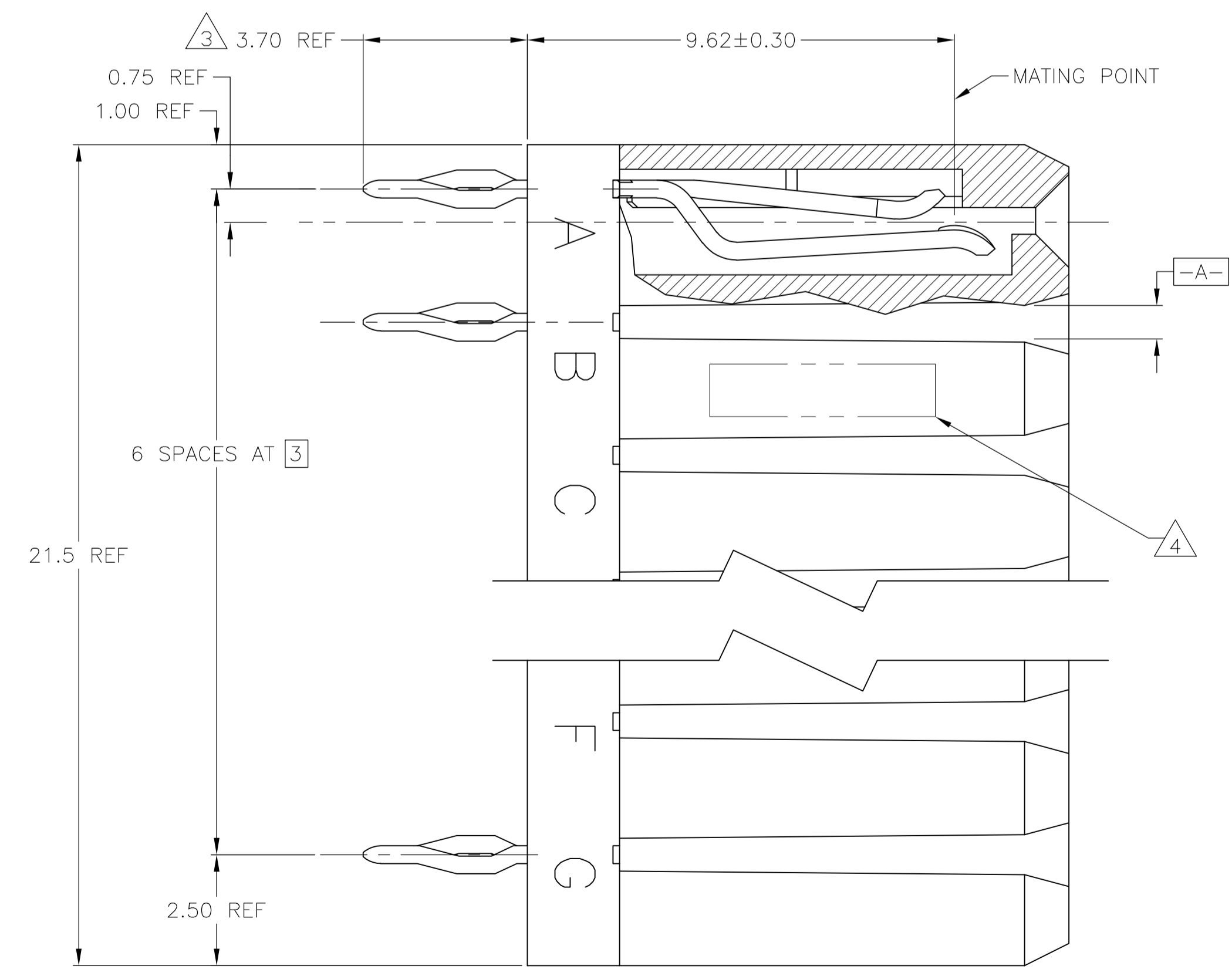
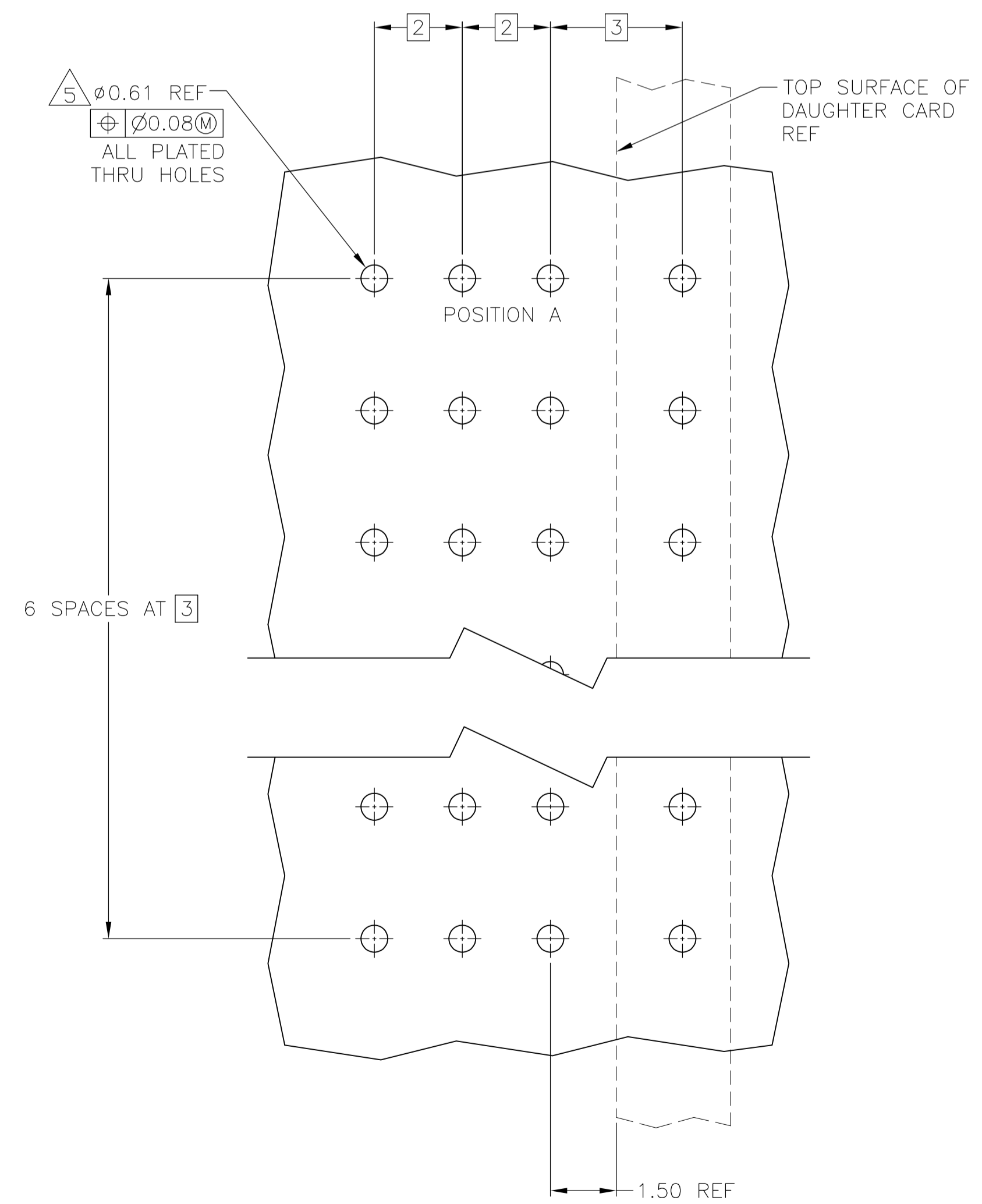
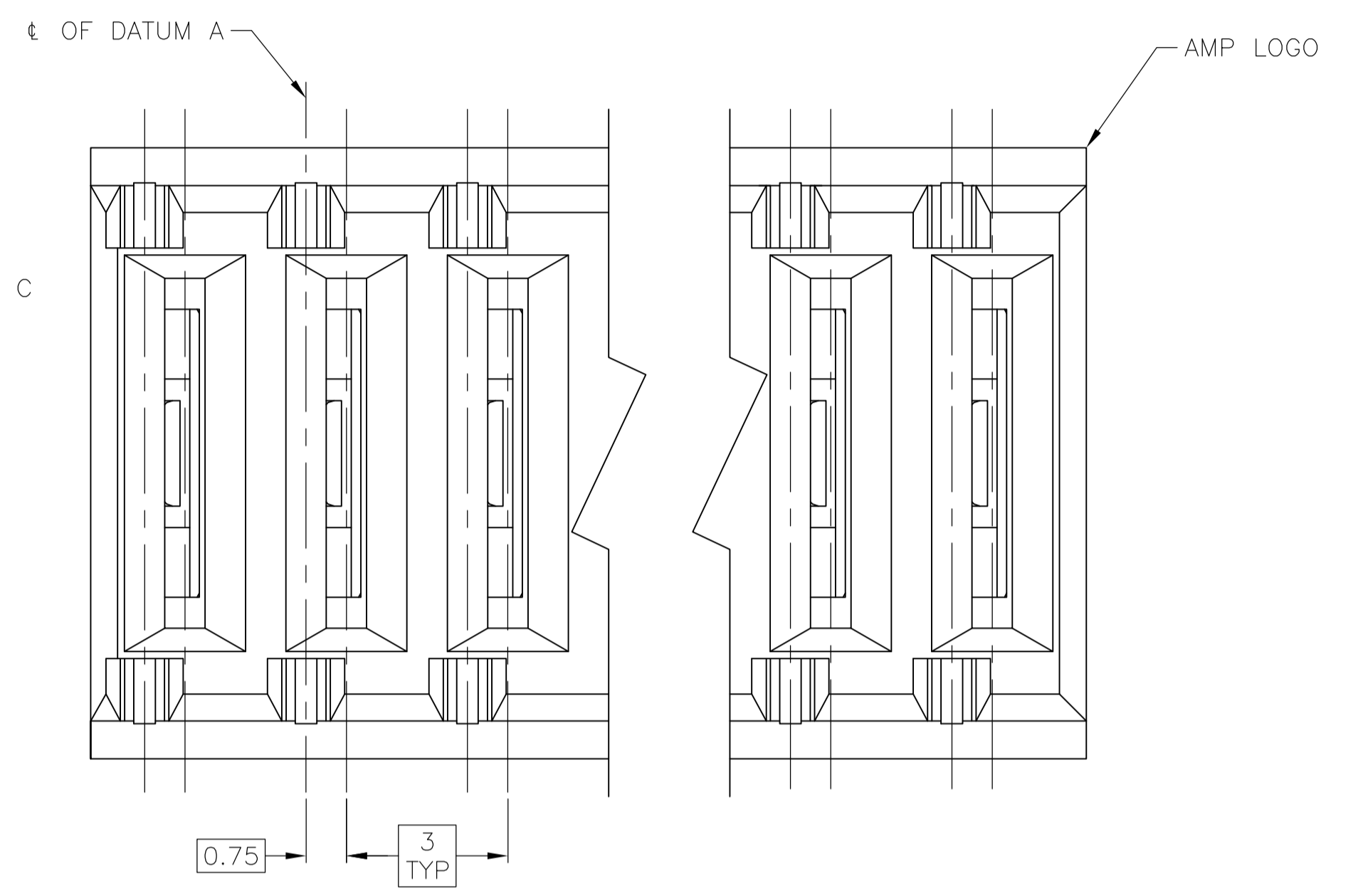
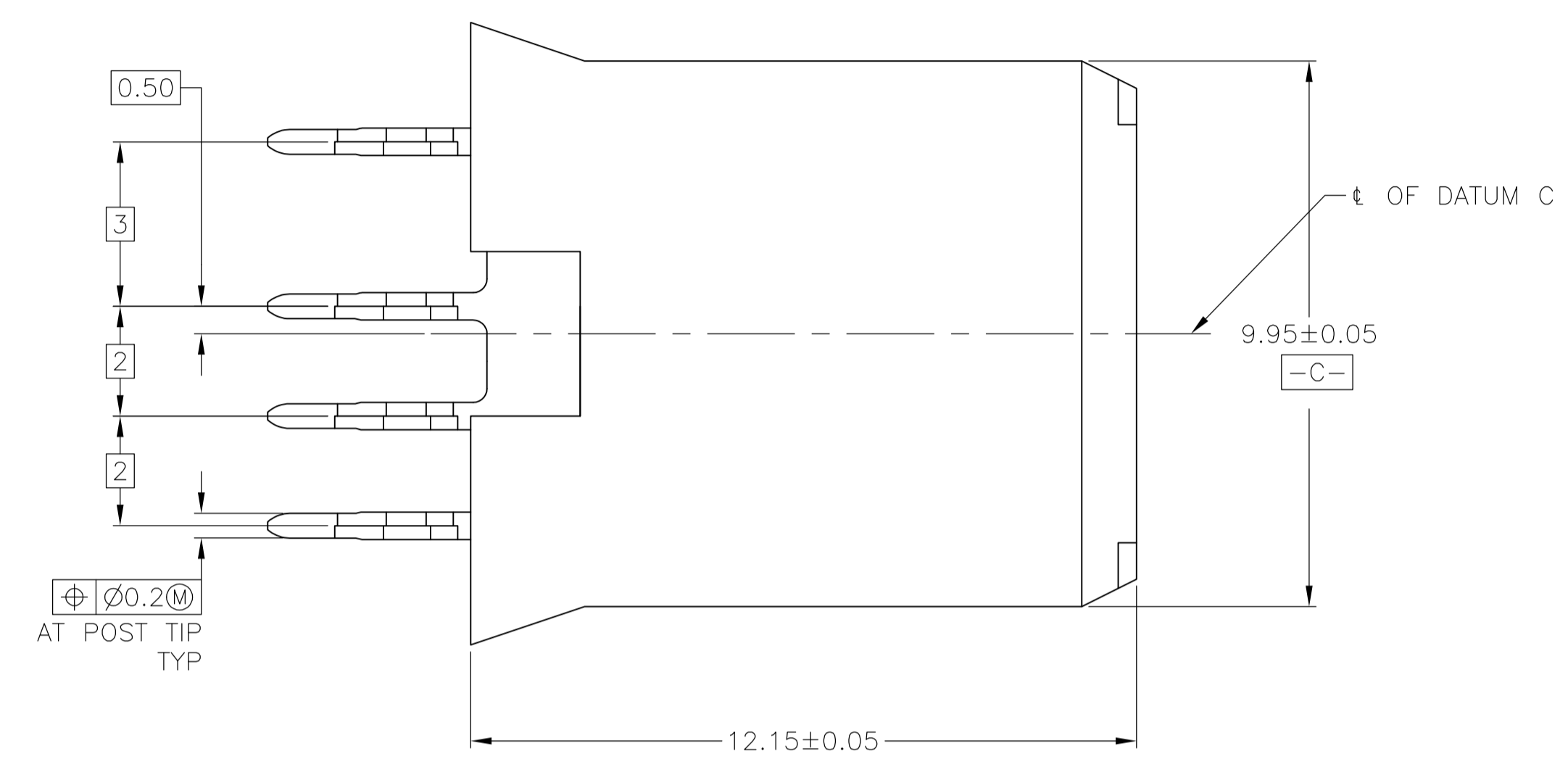
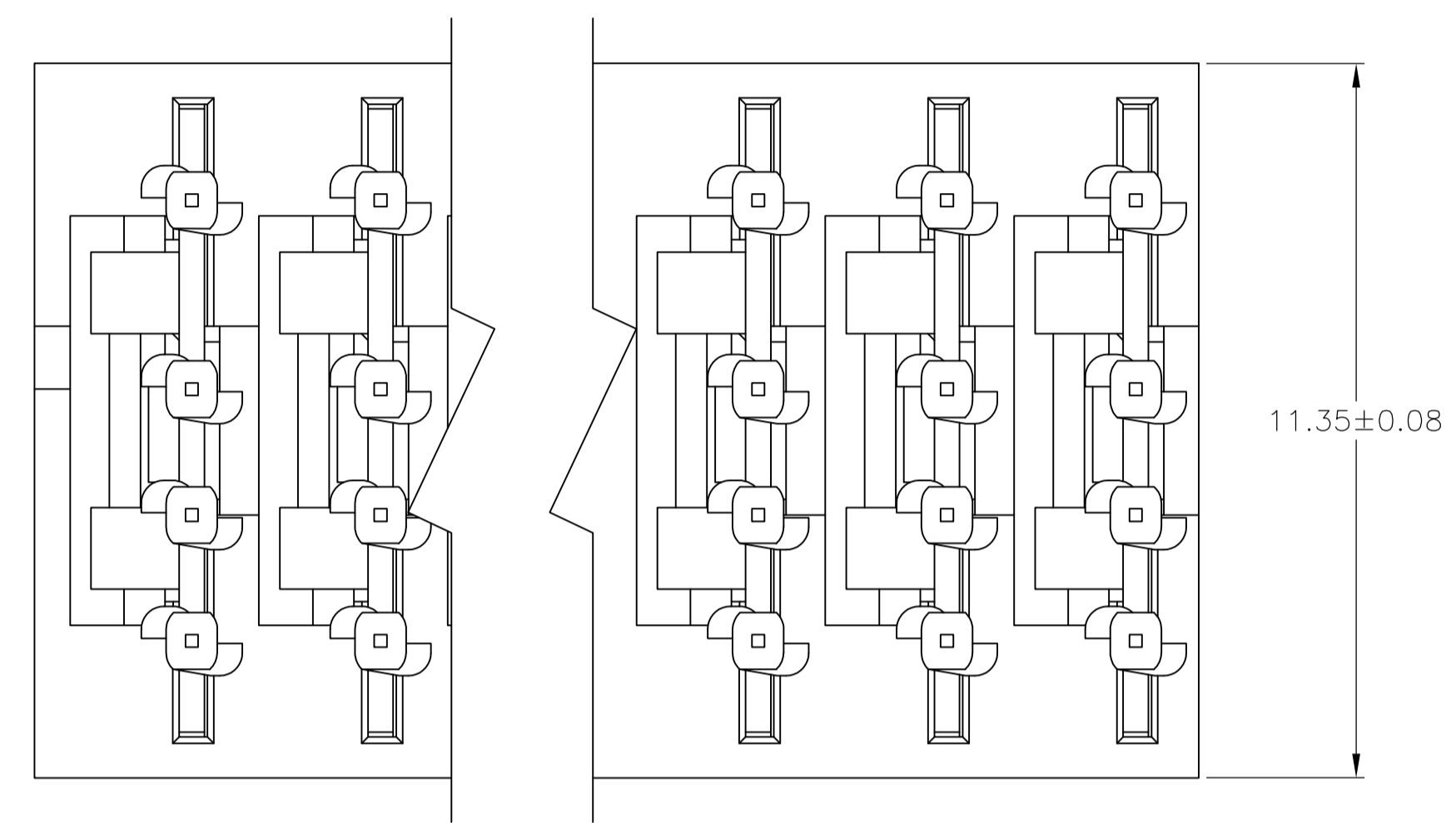


LOC		DIST		REVISIONS			
P	LTR	DESCRIPTION	DATE	DN	APVD		
A	PER	RTS 656324.1	04JUN12	KH	AS		

- 1 MATERIAL: HOUSING : POLYESTER, GRAY. UL 94V-0.
CONTACT: HIGH CURRENT COPPER ALLOY.
- 2 FINISH: CONTACT MATING AREA: 1.27µm MIN GOLD OR 0.08µm MIN GOLD
OVER 0.76µm PALLADIUM-NICKEL.
ACTION PIN AREA, 0.5µm MIN MATTE TIN PLATE,
ALL OVER 1.27µm MIN NICKEL UNDERPLATE.
- 3 TOLERANCE TO BE ±0.28 AFTER CONNECTOR IS APPLIED TO PC BOARD.
- 4 DATE CODE THIS APPROXIMATE AREA, OPPOSITE SIDE.
- 5 REFERENCE APPLICATION SPEC 114-1103 FOR RECOMMENDED
PLATED THRU HOLE DIAMETER AND PLATING THICKNESS.
- 6 CURRENT RATING 16A/CONTACT PER PRODUCT SPEC 108-1651.
- 7 FINISH: CONTACT LUBRICATION WITH BELLCORE APPROVED LUBRICANT.
TECHNICAL REFERENCE: GR-1217-CORE ISSUE 1, NOVEMBER 1995.



RECOMMENDED PCB HOLE LAYOUT

A,B,D,E,G		5	1645636-1
POSITIONS LOADED		NO.OF LOADED POSITIONS	PART NUMBER
KIRAN HOLAL		04JUN12	TE Connectivity
SHARPE ALEXANDER		04JUN12	NAME
SHARPE ALEXANDER		04JUN12	7 POSITIONS, RECEPTACLE ASSEMBLY, SELECT LOAD, UNIVERSAL POWER MODULE
APPLICATION SPEC		SIZE	CAGE CODE
WEIGHT		A1	00779
CUSTOMER DRAWING		SCALE	10:1
		SHEET	1 OF 1
		REV	A