

PLEASE CHECK WWW.MOLEX.COM FOR LATEST PART INFORMATION

Part Number: [63881-0100](#)
Status: **Active**
Description: Mini-Mac™ Applicator

Documents:

[RoHS Certificate of Compliance \(PDF\)](#)

General

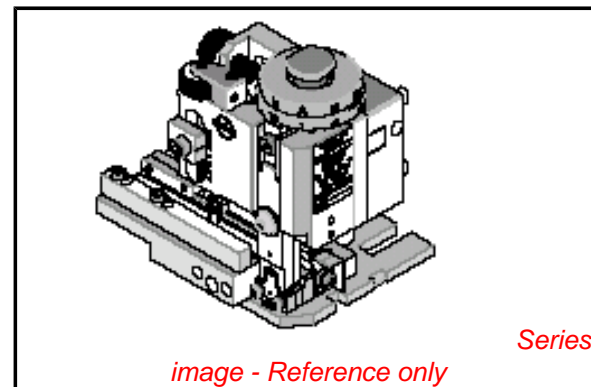
Product Family	Application Tooling
Series	T9999
Function	Crimp
Geographic Area	Global
Level of Automation	Automatic, Semi-Automatic
More Detailed Tech Information	applicationtooling@molex.com
Product Name	Mini-Mac™
Survey	www.molex.com//review/apptool_survey.html
Tool Type	Applicator
UPC	822348764167

Material Info

Reference - Drawing Numbers

Application Tooling Documents

638810100, TM-638800000, TM-638800000SP,
 TM-640160065, TM-640160065CN, TM-640160065DE,
 TM-640160065FR, TM-640160065IT,
 TM-640160065JP, TM-640160065KR,
 TM-640160065MY, TM-640160065PL,
 TM-640160065RU, TM-640160065SK,
 TM-640160065SP, TM-640160065TH,
 TM-640160065TW, TM-640160065VN



EU RoHS

China RoHS

Compliance Status

Not Reviewed

REACH SVHC

Not Reviewed

Low-Halogen Status

Not Reviewed

Need more information on product environmental compliance?

Email productcompliance@molex.com
 For a multiple part number RoHS Certificate of Compliance, [click here](#)

Please visit the [Contact Us](#) section for any non-product compliance questions.

Search Parts in this Series

T9999Series

Use With

Molex TM-2000™, 63800-8300 , most Industry Standard Presses, or Wire Process Machines

PLEASE CHECK WWW.MOLEX.COM FOR LATEST PART INFORMATION